

VON DUPRIN[®] INSTALLATION DIRECTIONS

BEFORE APPLYING THIS DEVICE

- Threshold (if any) must be installed.
- Doors must be fitted and hung.
- Check that handing of hardware corresponds to handing of door.
- Apply Astragal (if any). See template No. 40108 for applying Astragal.

1. PREPARE DOOR

- Tape template No. 1 to inside face of lock stile. Be sure centerline "X-X" of template is parallel to edge of door and backset is as shown in schedule. Be sure centerline of device is 39-13/16" to finished floor.
- Prepare door as shown. See Fig. 1 for wood door application and Fig. 2 for metal door application.

2. APPLY OUTSIDE TRIM FOR DT APPLI-CATION ONLY

- See directions in trim carton if required. Line "X-X" on trim template corresponds to Line "X-X" on device template and is parallel to edge of door. Transfer Line "X-X" from inside face to outside face of door.
- Prepare outside face of lock stile.

3. INSTALL LEVER ARMS

- Insert lever arms into lock stile and hinge stile cases.
- Assemble axles and tighten securely. (See instructions in axle envelope.)

4. APPLY LOCK STILE CASE

- Attach lock stile to door. See Fig. 1 or 2.

5. APPLY HINGE STILE CASE AND CROSS-BAR TUBE (FIG. 7)

- Dog lever arms in depressed position.
- Slip crossbar tube on lock stile and hinge stile lever arms. (See Direction Sheet 41009 for cutting crossbar.)
- Be sure crossbar is level and hinge stile case is parallel to edge of door and approximately on centerline of exposed stile.
- Using holes in hinge stile case, mark location and prepare door for attaching screws.
- Apply hinge stile case with crossbar in place.
- Tighten wedge-tite set screws securely with dog key and screwdriver or equivalent for leverage, and test crossbar for free action. (See Direction Sheet 41009 for these instructions.)

6. APPLY TOP LATCH CASE AND STRIKE

- Close door against stop.
- Tape template No. 2, 3, or 4 to door and surface indicated on template.
- Prepare door and soffit for latch case and strike and apply.

7. APPLY TOP ROD

- Block door in open position.
- Check rod for correct length. See Direction Sheet 41028 for cutting 88 vertical rods.
- Drive in top rod connector.
- Attach top rod with rod guide, see Fig. 3. Adjust rod length so connector fits as shown. (Fig. 4 and 5.)

NOTE

BE SURE LATCH BOLT IS RETRACTED AND CROSSBAR IS DOGGED

8. APPLY BOTTOM LATCH CASE & STRIKE

- Close door so top bolt engages.
- Tape template No. 5, 6, or 7 to door and surface indicated on template.
- Prepare door and floor or threshold for latch case and strike and apply.

9. APPLY BOTTOM ROD

- Block door in open position.
- Retract bottom latch bolt.
- Adjust rod so rod connector fits as shown. (Fig. 6.)

NOTES

(1) DO NOT CUT BOTTOM ROD.
(2) BE SURE LATCH BOLT IS RETRACTED AND CROSSBAR IS DOGGED.

- Test door for top and bottom latch engagement.
- TEST DEVICE FOR FREE ACTION AND COMPLETE LATCH BOLT RETRACTION WHEN CROSSBAR IS DEPRESSED. IF LATCH BOLTS DO NOT RETRACT COMPLETELY, READJUST.
- APPLY TOP AND BOTTOM LATCH CASE COVERS.

DEVICE BACKSET SCHEDULE		
INSTALLATION	PANELED DOOR	FLUSH DOOR
TWO VERT. ROD DEVICES	1/2 OF STILE	2-1/2"
VERT. ROD & MORT. DEVICE	2-3/4"	2-3/4"
SINGLE DOOR	1/2 OF STILE	2-3/4"
VERT. ROD & RIM DEVICE REQUIRES 1809J STRIKE	3"	3"
WHEN COORDINATOR IS USED BACKSET OF VERTICAL ROD DEVICE MUST BE	3"	3"

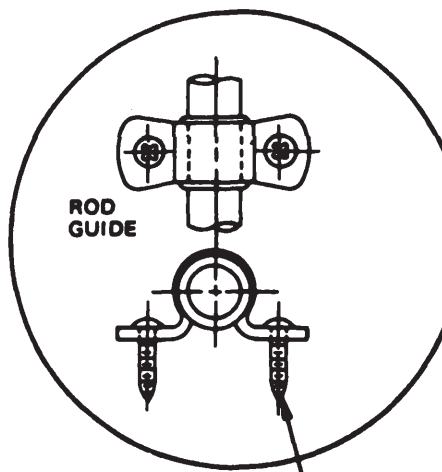


FIG. 3

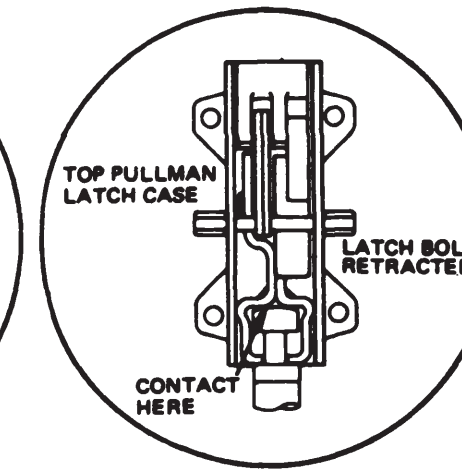


FIG. 4

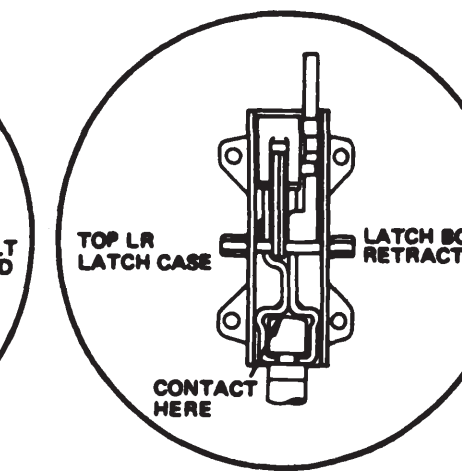


FIG. 5

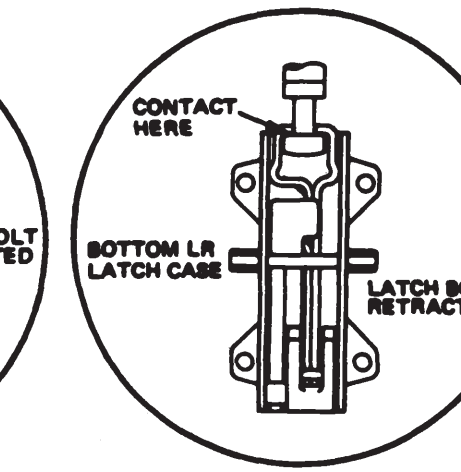


FIG. 6

NOTE:
DO NOT CUT
BOTTOM ROD

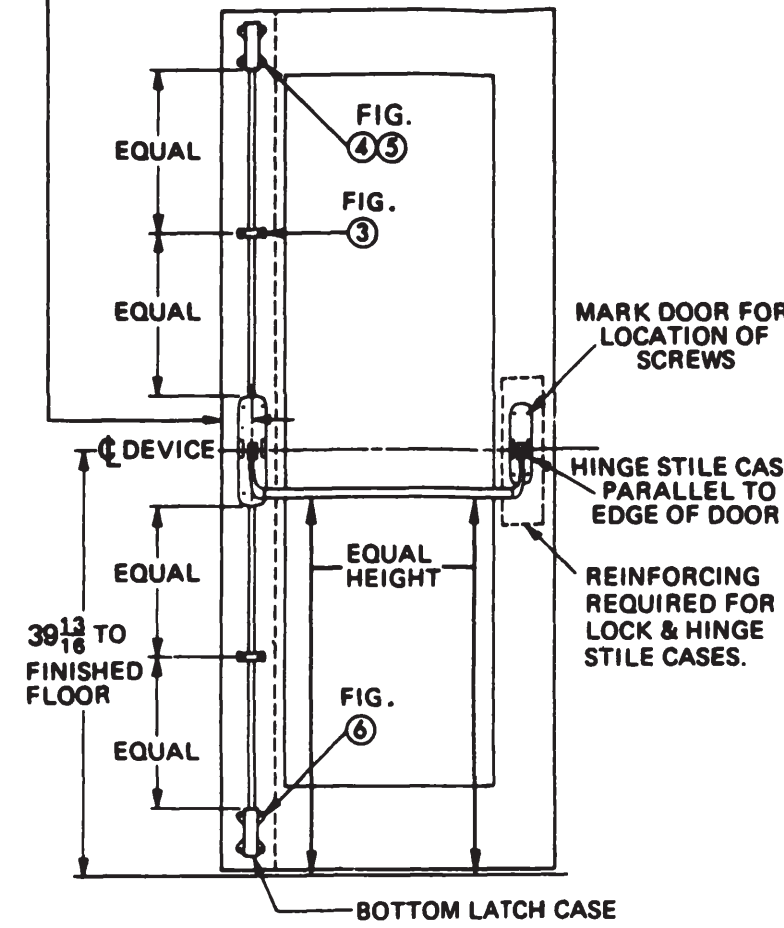
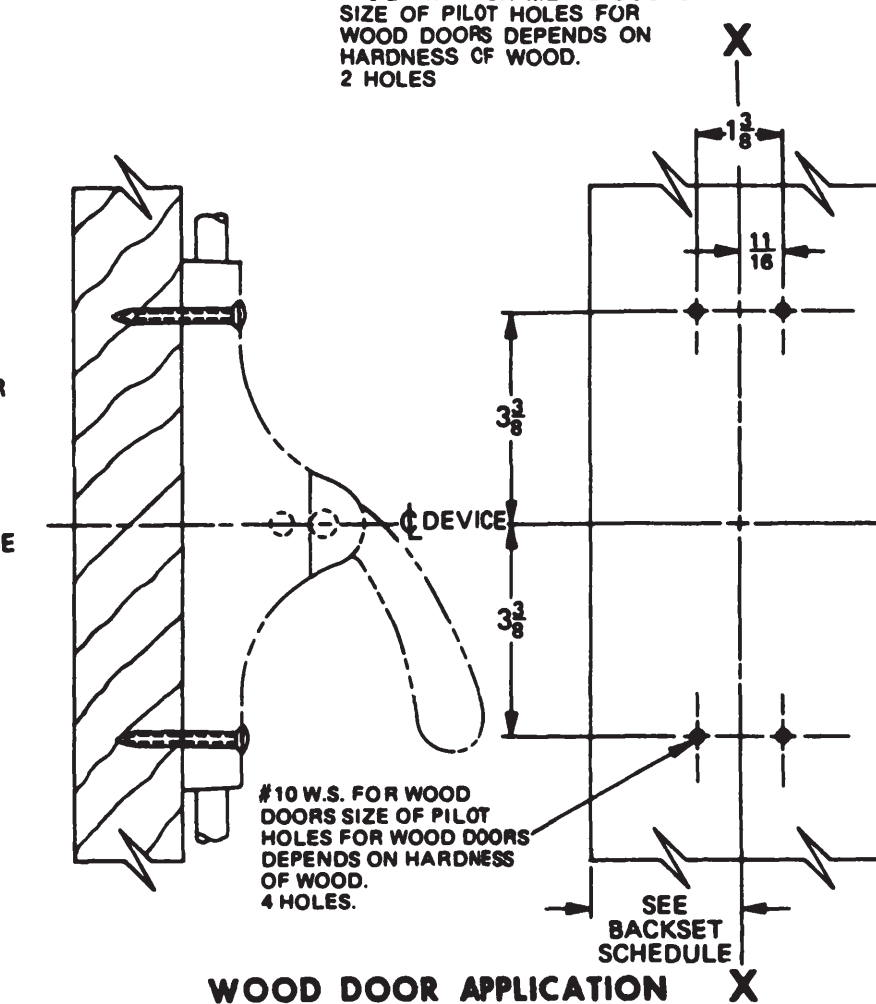
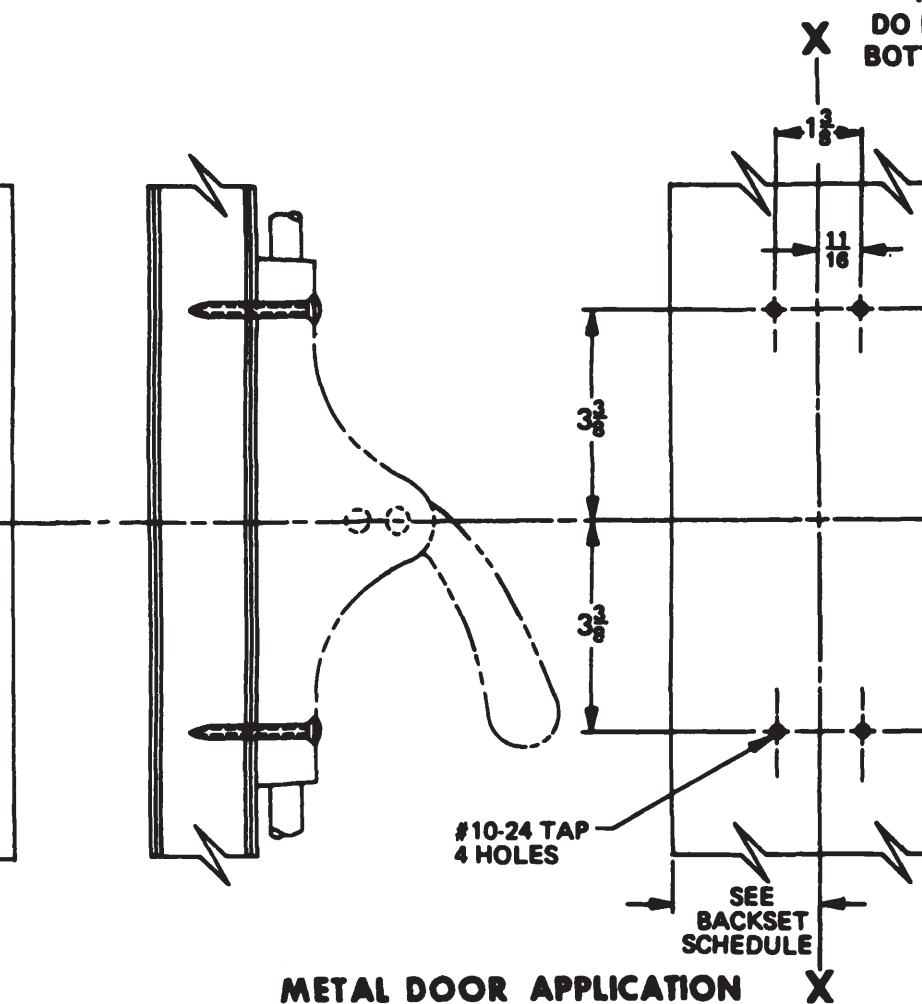


FIG. 7



WOOD DOOR APPLICATION

FIG. 1



METAL DOOR APPLICATION

FIG. 2



911160-00



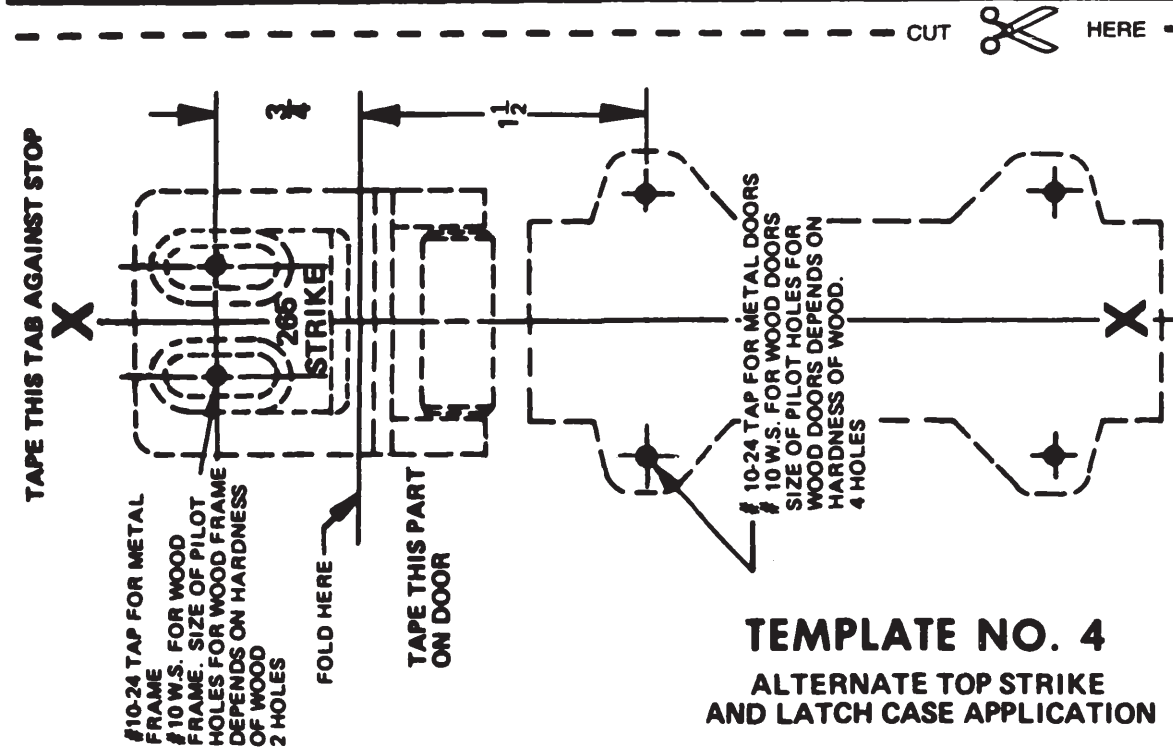
Customer Service

1-877-671-7011 www.allegion.com/us

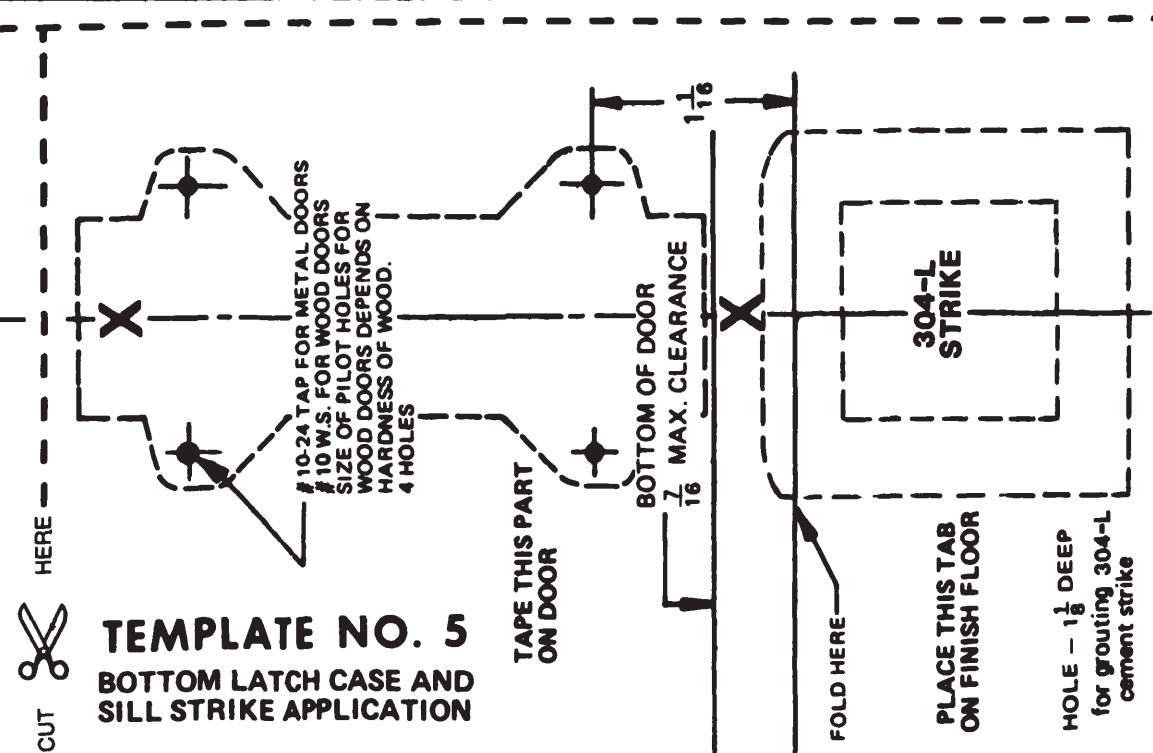
DESCRIPTION
8827EO, 8827DT & 8827T
SERIES VERTICAL ROD DEVICES

DIRECTION NUMBER 911160-00(b) DATE Rev. 01/14

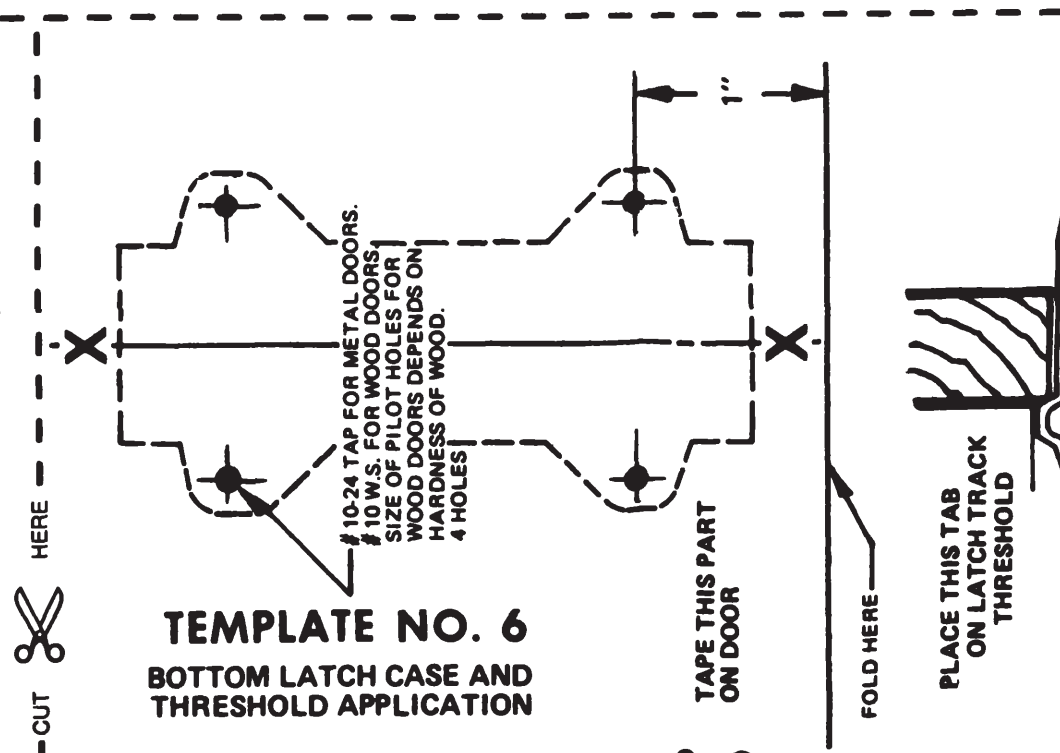
FOR TRIM APPLICATION SEE DIRECTIONS IN TRIM CARTON IF REQUIRED



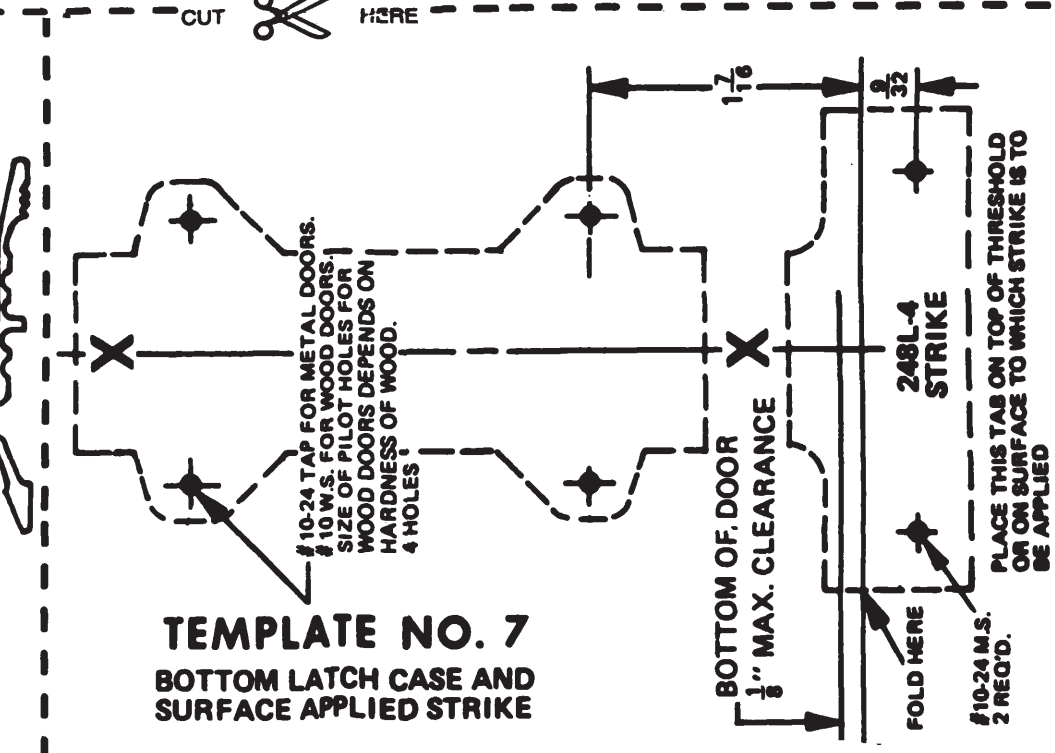
TEMPLATE NO. 4
ALTERNATE TOP STRIKE
AND LATCH CASE APPLICATION



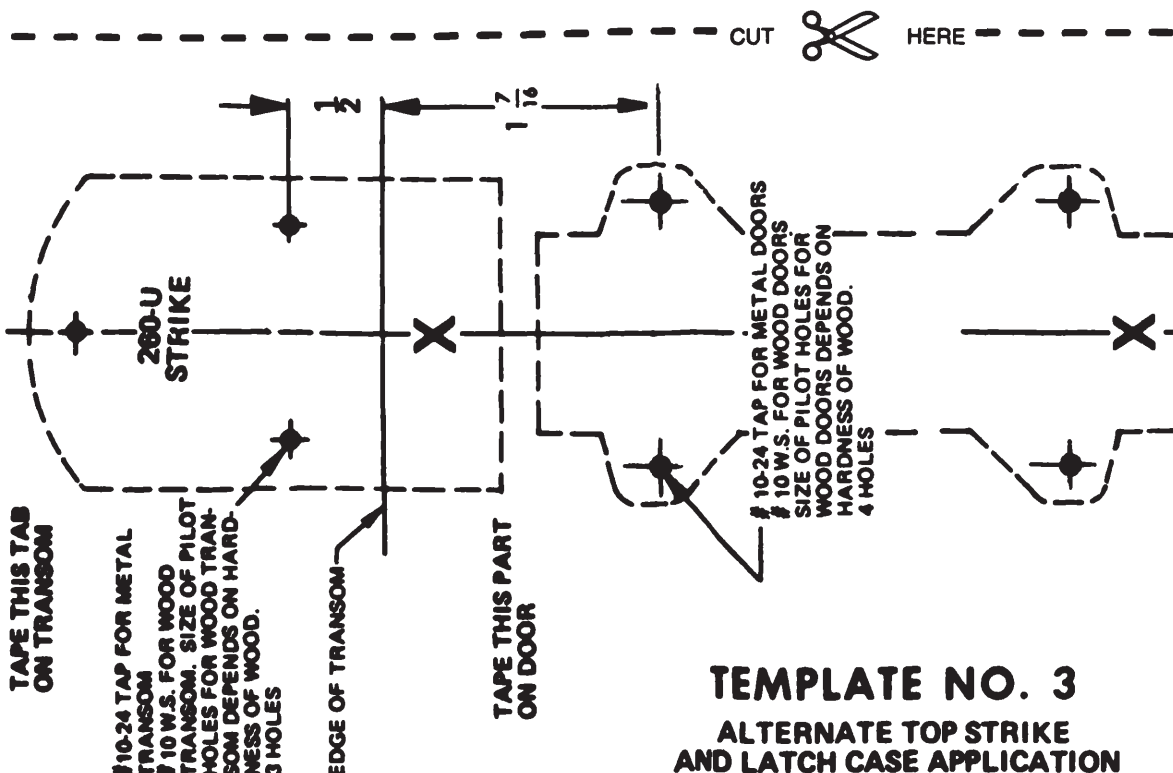
TEMPLATE NO. 5
BOTTOM LATCH CASE AND
SILL STRIKE APPLICATION



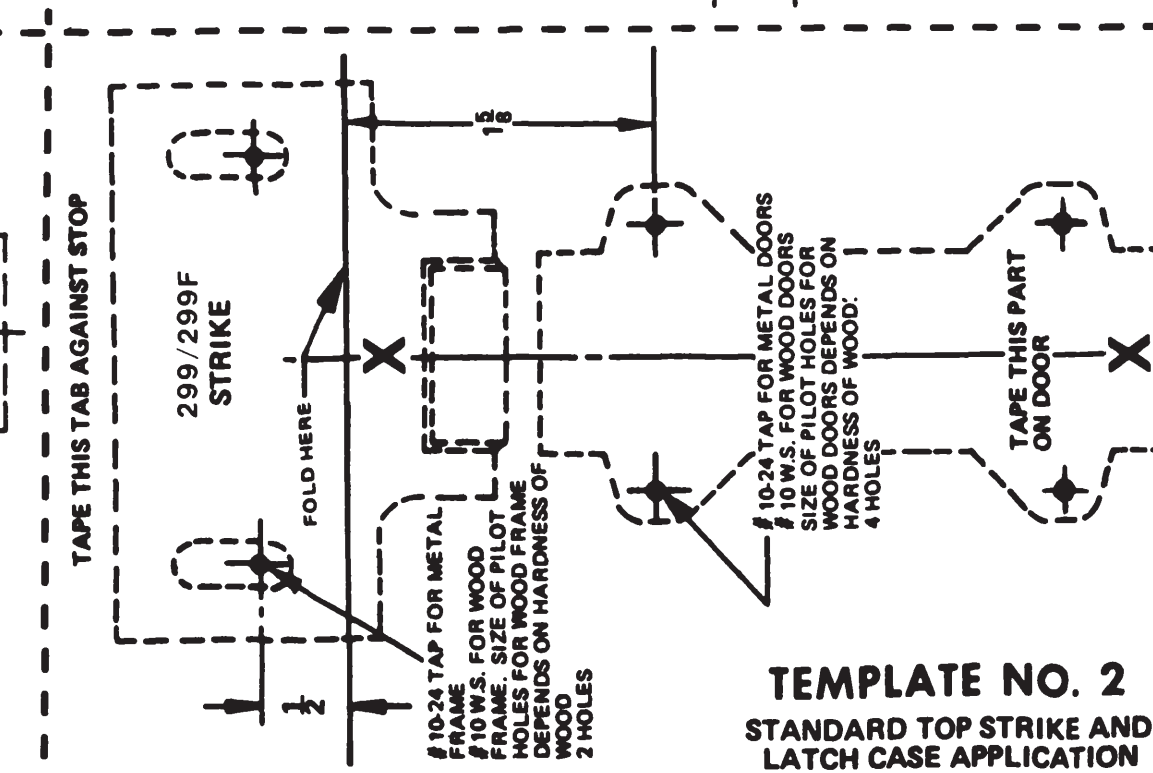
TEMPLATE NO. 6
BOTTOM LATCH CASE AND
THRESHOLD APPLICATION



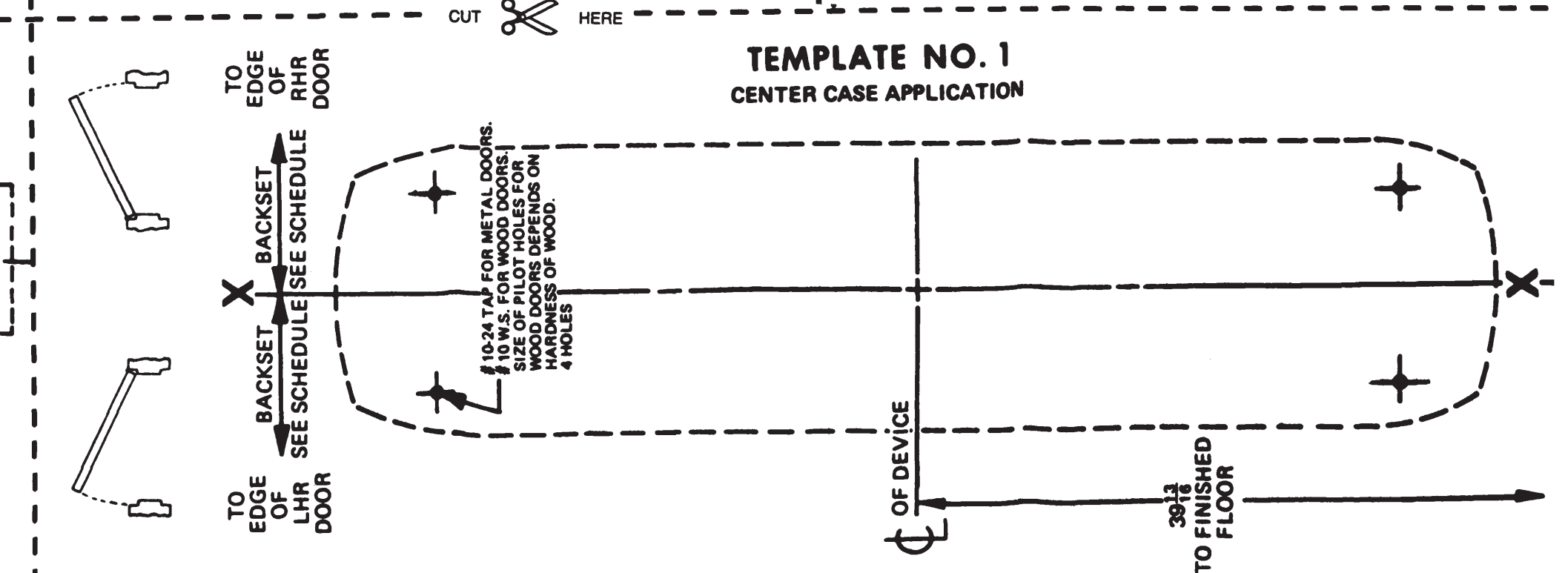
TEMPLATE NO. 7
BOTTOM LATCH CASE AND
SURFACE APPLIED STRIKE



TEMPLATE NO. 3
ALTERNATE TOP STRIKE
AND LATCH CASE APPLICATION



TEMPLATE NO. 2
STANDARD TOP STRIKE AND
LATCH CASE APPLICATION



TEMPLATE NO. 1
CENTER CASE APPLICATION



921257-00

Trim

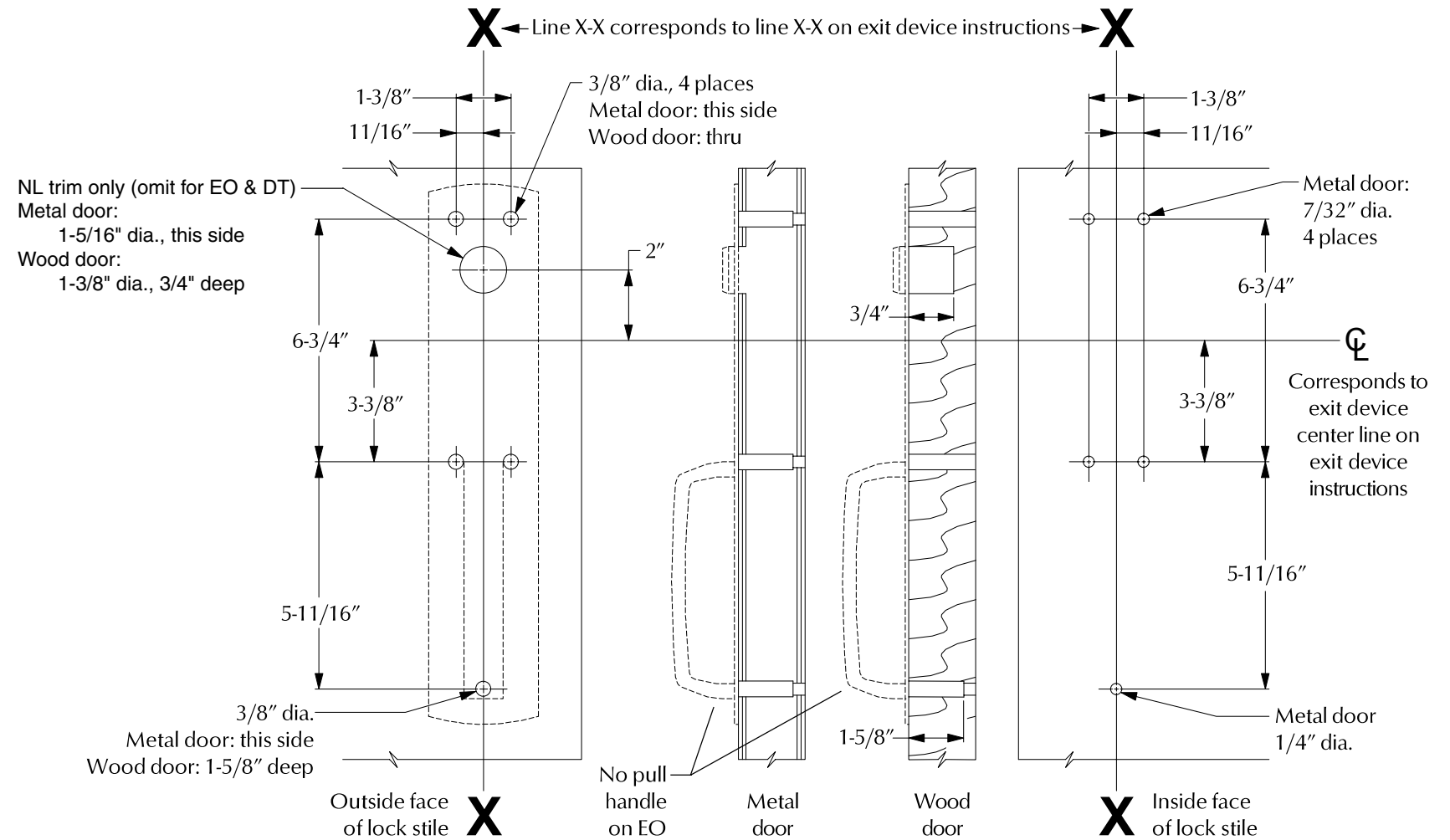
880EO/DT/NL

VON DUPRIN

Installation Instructions

1. Prepare door for exit device. See exit device instructions for holes, line X-X, and center lines.
2. Prepare door for trim:
 - A. Transfer line X-X from inside (exit device side) of door to outside (trim side) of door. Use extra care if edge of door is beveled.
 - B. Locate and prepare all holes as shown.
3. Apply trim.
4. Apply exit device.

Device Application Schedule	
Trim	Device
880EO/DT	8827 Vertical Rod 8875 Mortise Lock
880NL	8875 Mortise Lock



LHR shown, RHR opposite

For cutouts on inside face of door, see exit device instructions

Customer Service
1-877-671-7011 www.allegion.com/us



© Allegion 2014
Printed in U.S.A.
921257-00 Rev. 01/14-c



941145-00

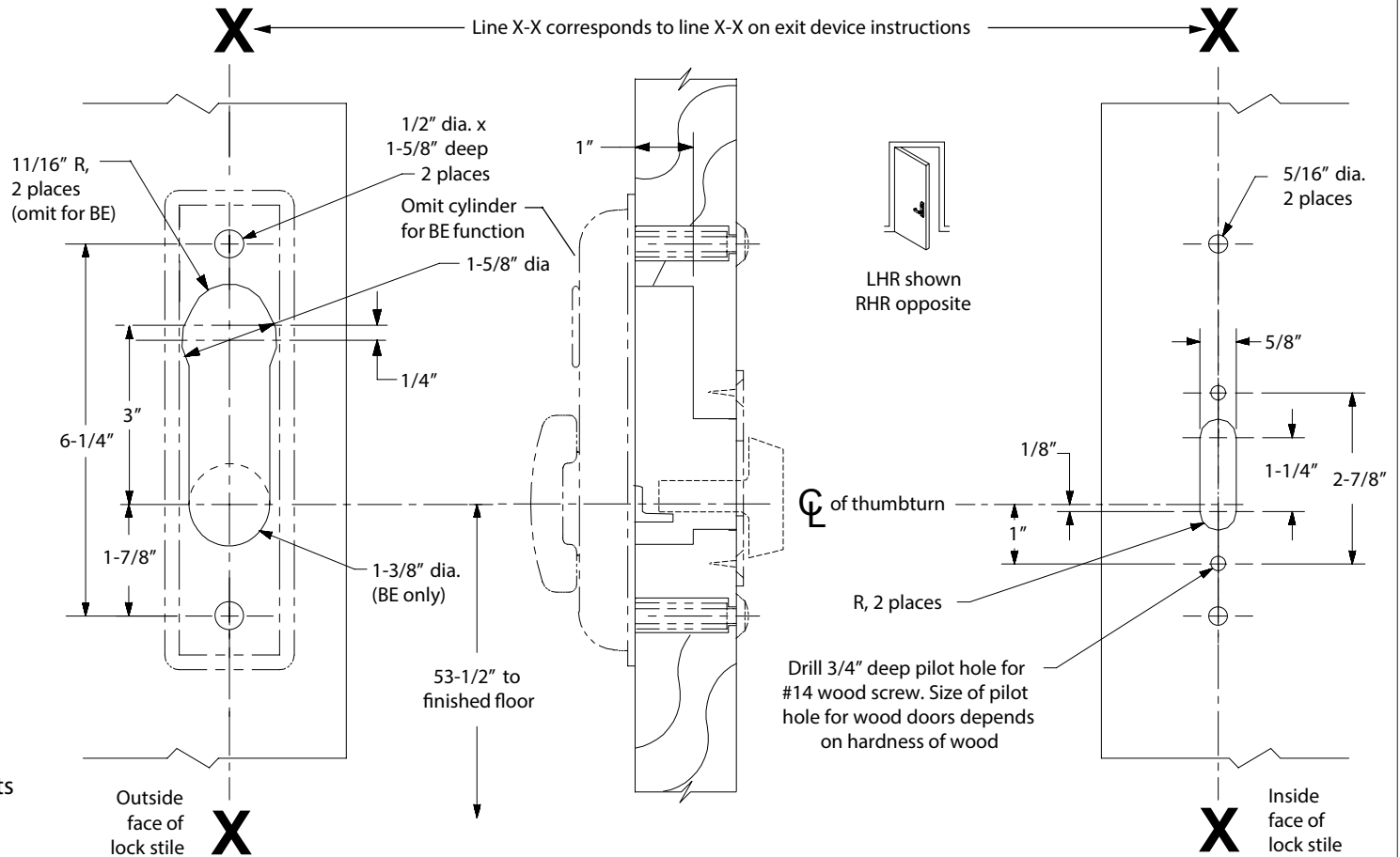
Control for Wood Door Application

377-T & 377-T-BE

VON DUPRIN

Installation Instructions

1. Prepare door for exit device. See exit device instructions for locations of holes, backset (line X-X), and center lines.
2. Prepare door for control:
 - A. Transfer line X-X from inside (exit device side) of door to outside (control side) of door. Use extra care if edge of door is beveled. Be sure line X-X is parallel to edge of door.
 - B. Locate and prepare holes as indicated.
3. Install cylinder if required (Figs. 1 & 2). Insure cylinder cam is set for required function and replace if necessary.
4. Install control and rub plate (Fig. 2)
5. Slip rod member on top rod.
6. Install top rods (see direction for vertical rod device).
7. Position rod member so finger contacts cam when top latch bolt is extended.
8. Tighten set screws in rod member.
9. Apply device and test key, control, and device action.



For cutouts on inside face of door see instructions in device carton	Device Application Schedule
	8827, 8827-F Vertical Rod Exit Device

Customer Service
 1-877-671-7011 www.allegion.com/us



© Allegion 2014
 Printed in U.S.A.
 941145-00 06/14-b

