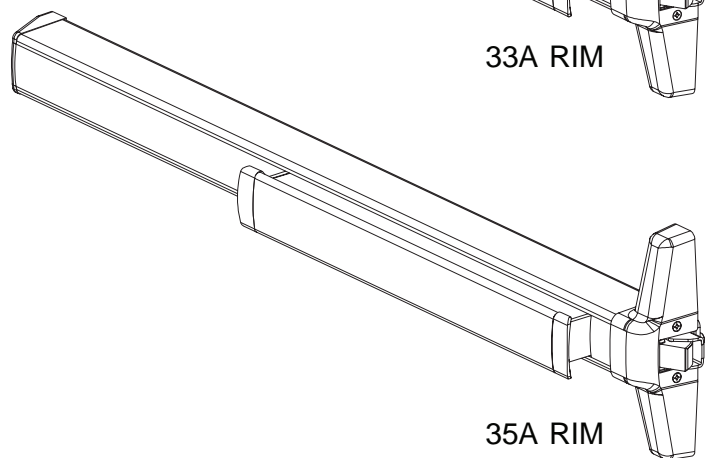
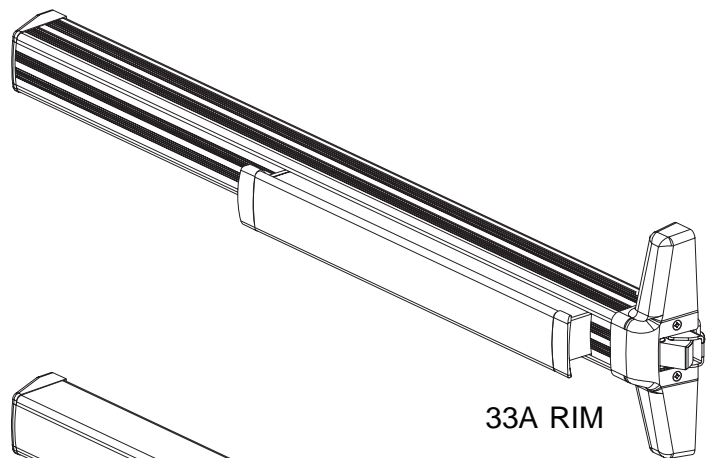


VON DUPRIN®

33A/35A Series Rim Exit Device

Service manual



INDEX

33A/35A Rim Panic Devices	
Basic Device	4-5
Baseplate Assembly	6
Variations of the Basic Device	
CD (Cylinder Dogging)	4
HD-EL (Hex Dogging/Electric Latch Retraction)	7
EL (Electric Latch Retraction)	8
SS (Signal Switch)	8
CX (Chexit Discontinued)	9
CX (Chexit New)	10
CX (Chexit New RCM/DE5300 Option)	11
RX (Request to Exit)	12-13
LX (Latch Bolt Monitoring)	12-13
ALK (Exit Alarm Kit)	14
General Information	
Introduction	2
How to Order	2
Part Number Changes	2
Finishes	3
Outside Trim Functions	3
Strikes	3

INTRODUCTION

This manual contains a listing of replaceable parts and assemblies for the 33A/35A Rim Panic Exit Hardware Devices. (33A Series and 35A Series devices are almost identical. The 33A Series has a grooved case; the 35A Series has a smooth case.)

HOW TO ORDER

Some parts are sold separately. Other items are available as part of a kit or multiple quantity package. For the best possible service when ordering replacement parts or assemblies, please provide the following information:

- Part number or assembly number
- Description
- Quantity needed
- Finish desired (if available finished)
- Date of original purchase (if known)

To find out the name of your local Von Duprin distributor or sales representative, contact:

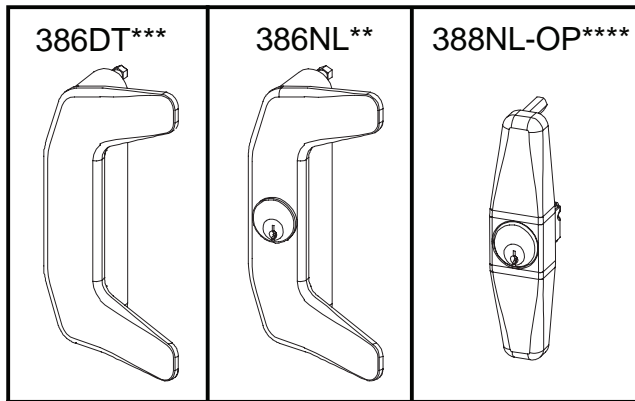
Von Duprin Division
Allegion
2720 Tobey Drive
Indianapolis, IN 46219
Phone: (877) 671-7011

PART NUMBER AND AVAILABILITY CHANGES

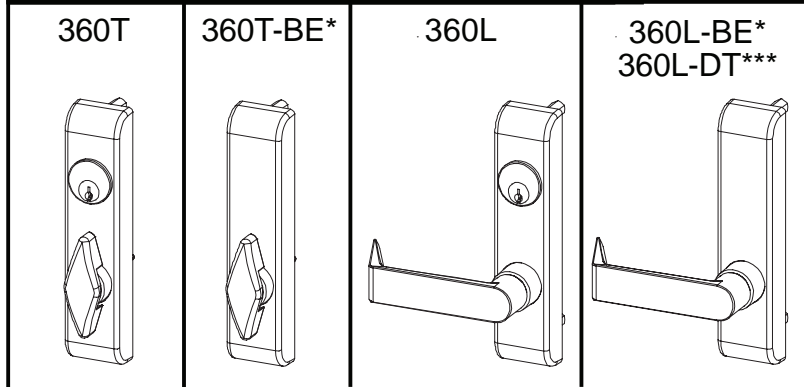
This manual was designed to help illustrate the replacement parts and kits that are available for sale. Because of changes to the product and/or manufacturing process, part numbers and availability can change over time.

OUTSIDE TRIM FUNCTIONS

33A/35A SERIES FINISHES

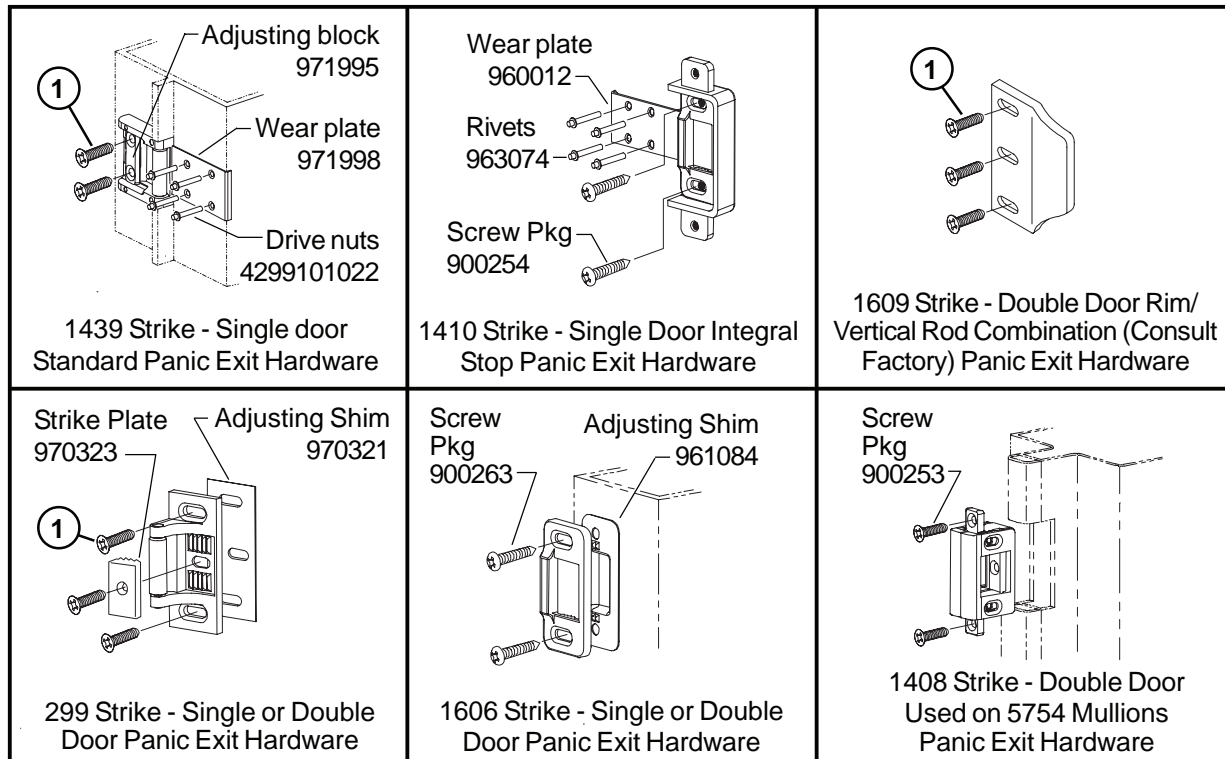


U.S. Std Reference	BHMA Reference	Description
US3	605	Polished Brass
US4	606	Dull Brass
US10	612	Dull Bronze
US15	619	Satin Nickel
US26	625	Polished Chrome
US26D	626	Dull Chrome
US28	628	Anodized Alum. (Clear)
313AN	710	Anodized Alum. (313) Dark Bronze
315AN	711	Anodized Alum. (Black)



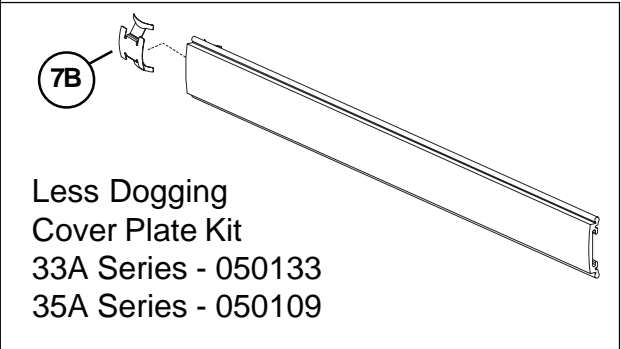
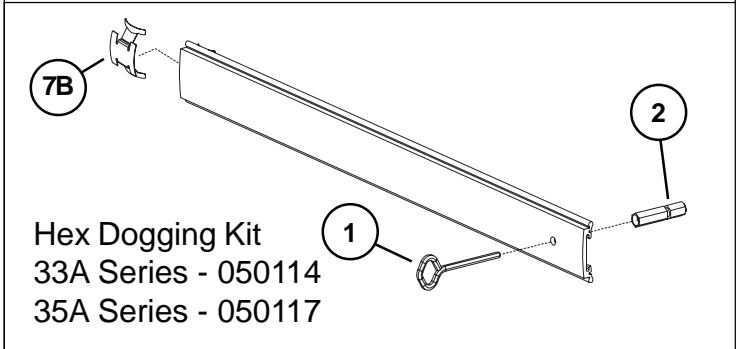
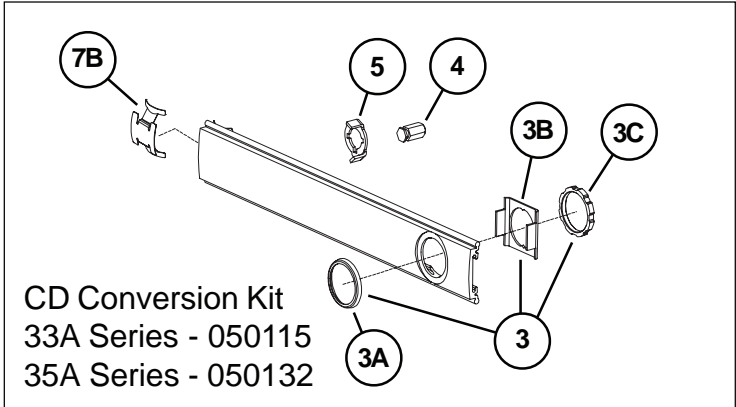
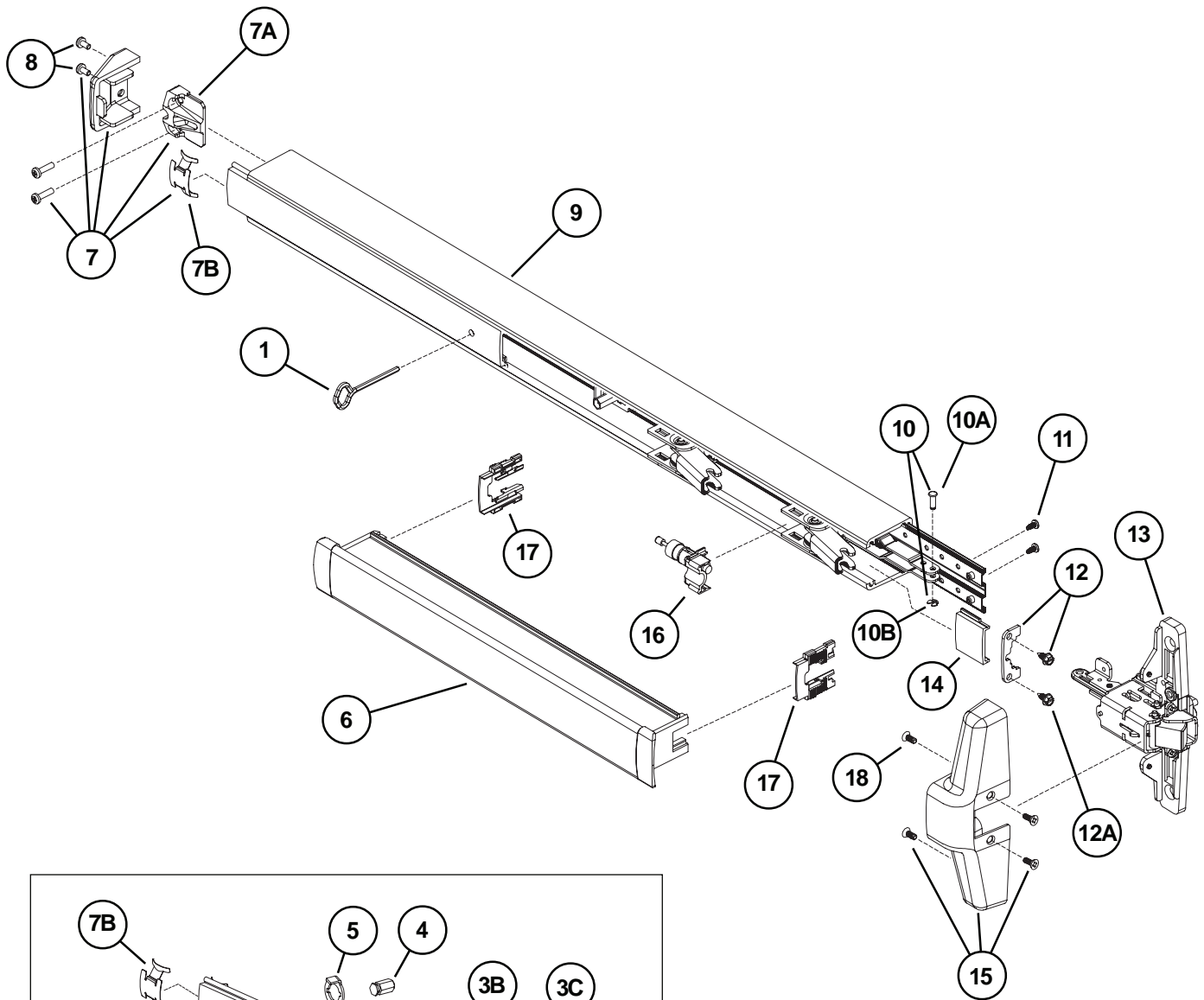
- * "BE" (Blank Escutcheon) no cylinder used - lever always active
- ** "NL" (Night Latch) rigid lever - key retracts latch bolt
- *** "DT" (Dummy Trim) rigid lever for pull operation
- **** "NL-OP" (Optional Pull) needs to be added

STRIKES



- ① Metal Door Screw Package PKGSRV.1023 (Pkg of 10)
- Wood Door Screw 964291 (Qty of 1)

33A/35A RIM PANIC DEVICE



33A/35A RIM PANIC DEVICE

Item No.	Quantity	Part No.	Description	Finish
	1	900619	33A/35A Series Mounting Pkg. (1-3/4 & 2-1/4)	
1	1	090085	227 Dog Key 5/32" Hex (Pkg of 10)	
1	1	090005	227 Dog Key 5/32" Hex (Pkg of 2)	
2	1	090040	Hex Dog Shaft (Pkg of 2)	
3	1	107813	Cylinder Mounting Pkg	X
3A	1	050525	Cylinder Collar	X
3B	1	050490	Cylinder Locating Washer - CD/SS	
3C	1	050526	Cylinder Locknut	
4	1	090046	CD Dogging Plug (Pkg of 2)	
5	1	090045	CD Actuator Arm (Pkg of 2)	
6	1	*PBKIT	33A/35A Series Push Bar Retrofit Kit - 3' Door	X
6	1	*PBKIT	33A/35A Series Push Bar Retrofit Kit - 4' Door	X
7	1	050014	33A/35A Series Series End Cap Kit	X
7A	1	050524	Impact Resistant End Cap Bracket	
7B	1	090036	Cover Plate Anti-rattle Spring (Pkg of 10)	
8	1	900597	Device End Cap and C/Case Screw Pkg.	X
9	1	050486	33A Series Mechanism Case - 3' Door	X
9	1	050487	33A Series Mechanism Case - 4' Door	X
9	1	050488	35A Series Mechanism Case - 3' Door	X
9	1	050489	35A Series Mechanism Case - 4' Door	X
10	1	050529	Control Link Pin & Ret. Ring	
10A	1	090031	Series Control Link Pin	
10B	1	090107	Retaining Ring (Pkg of 10)	
11	2	090037	#8-32 x 3/8" Baseplate Screw (Pkg of 10)	
12	1	050530	Mechanism Case Bracket Kit	
12A	2	090073	Mechanism Case Bracket Screw (Pkg of 10)	
13**	1	050403	33A/35A Rim Center Case Less Cover	
14	1	050474	33A Series Cover Plate - C. Case Side	X
14	1	050475	35A Series Cover Plate - C. Case Side	X
15	1	050483	33A/35A Rim Center Case Cover Kit	X
16	1	050491	Shock Absorber & Holder Assembly	
17	2	090049	Push Bar Guide (Pkg of 10)	
18	4	900892	Center Case Cover Screws (Pkg of 4)	X

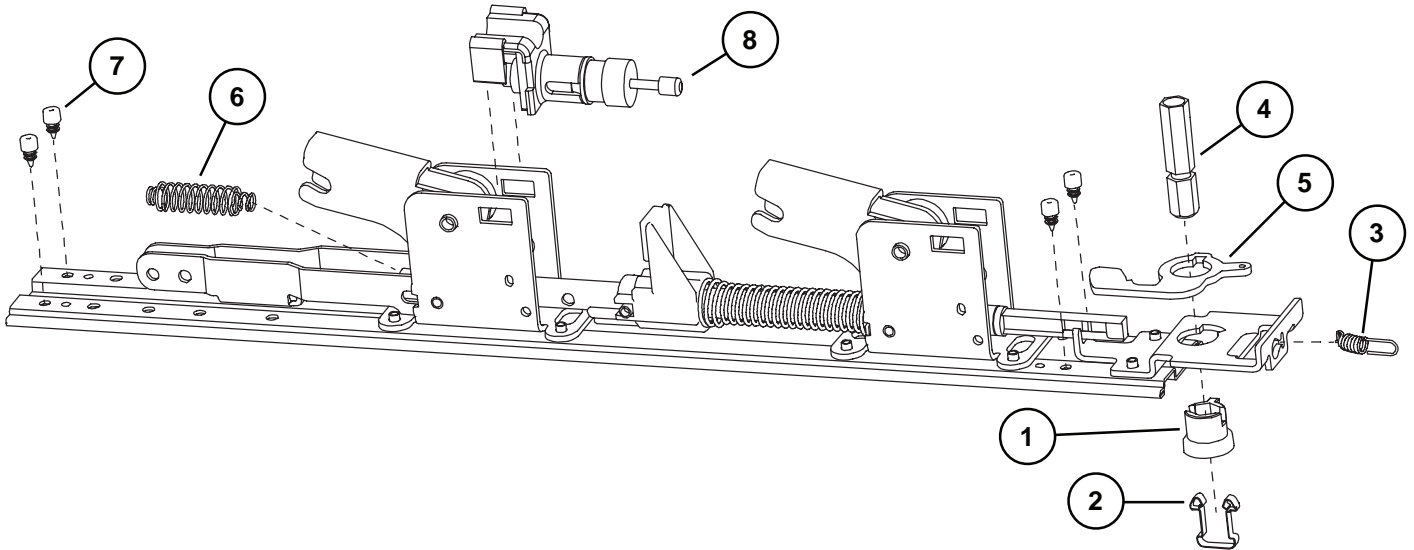
X in "Finish" column designates finished items; finish must be specified when ordering.

* To order, specify device type, size, and finish. Example: PBKIT 33A 3' US28

**Device mounting screws 900619 included.

33A/35A RIM PANIC DEVICE BASEPLATE ASSEMBLY

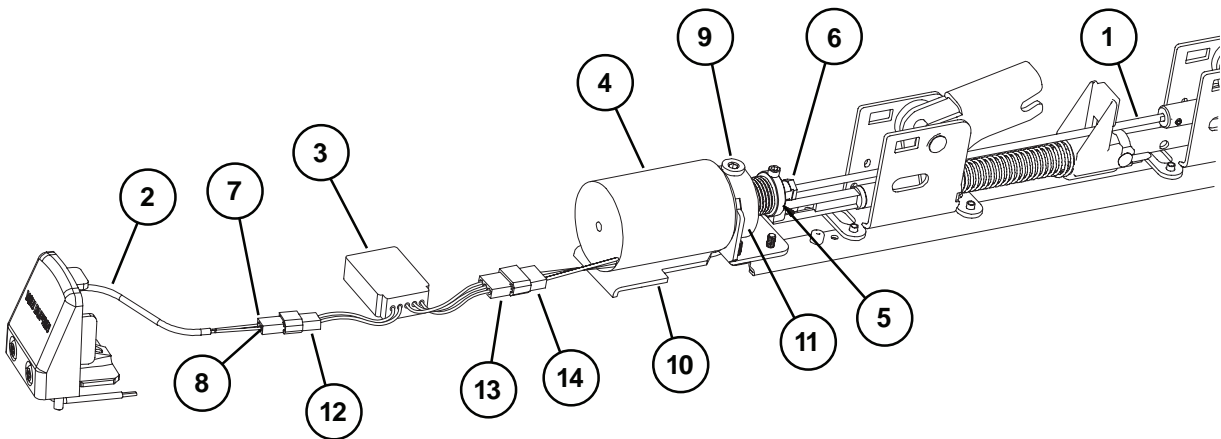
Item No.	Quantity	Part No.	Description	Finish
1	1	090043	Dogging adapter (Pkg of 2)	
2	1	090042	Dogging adapter spring (Pkg of 2)	
3	1	090041	Dogging spring (Pkg of 2)	
4	1	090040	Hex dogging shaft (Pkg of 2)	
5	1	090044	Dogging hook (Pkg of 2)	
6	1	090039	Latch return spring (Pkg of 10)	
7	4	090038	Rubber bumper (Pkg of 4)	
8	1	050491	Shock absorber	



HD-EL33A/HD-EL35A HEX DOGGING/ELECTRIC LATCH RETRACTION OPTION - PANIC DEVICE ONLY

Item No.	Quantity	Part No.	Description	Finish
1	1	050531	EL Dogging Rod Kit - 3' device	
1	1	050532	EL Dogging Rod Kit - 4' device	
2	1	110388	EL 6' Cable and Connector	
3	1	050534	EL Potted Module	
4	1	050536	HD-EL Solenoid	
5	1	050537	HD-EL Solenoid Plunger	
6	1	050538	EL Dogging Rod Retainer	
7	1	050539	EL Receptacle Connector - 2 Position	
8	2	050540	EL Female Terminal	
9	1	050541	HD-EL Dog Screw	
10	1	050542	HD-EL Solenoid Bracket	
11	1	050543	HD-EL Dogging Spring	
12	1	990599	EL Plug Connector - 2 Position	
13	1	990857	EL Receptacle Connector - 3 Position	
14	1	990858	EL Plug Connector - 3 Position	
*	1	050384	HD-EL Conversion Kit - 3'	
*	1	050385	HD-EL Conversion Kit - 4'	

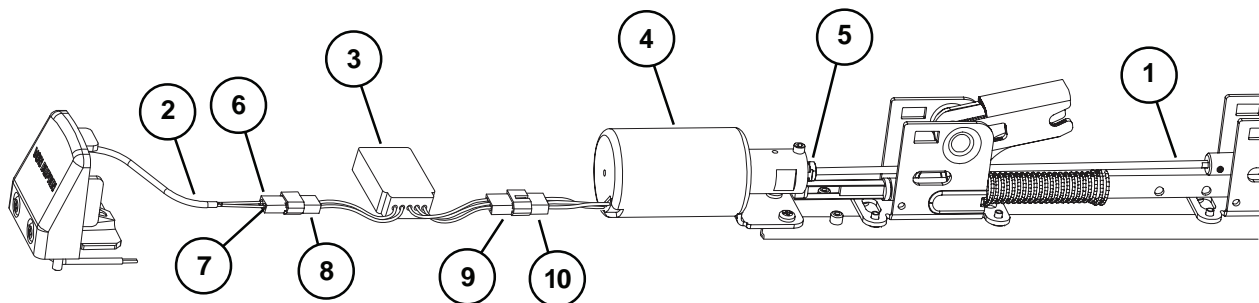
*Kit includes items 1-11 plus new control link, retaining ring, and baseplate screws.



EL33A/EL35A SERIES ELECTRIC LATCH RETRACTION OPTION

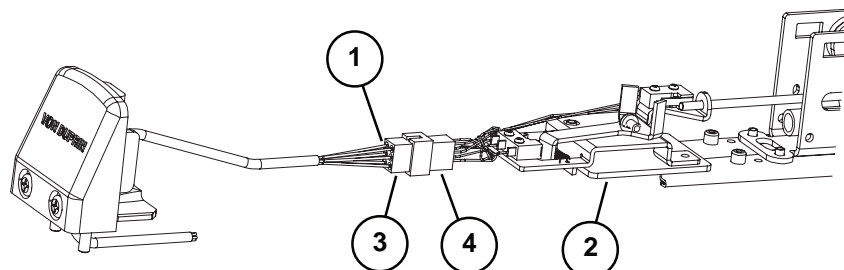
Item No.	Quantity	Part No.	Description	Finish
1	1	050531	EL Dogging Rod Kit - 3' device	
1	1	050532	EL Dogging Rod Kit - 4' device	
2	1	110388	EL 6' Cable and Connector	
3	1	050534	EL Potted Module	
4	1	050535	EL Solenoid Assembly	
5	1	050538	EL Dogging Rod Retainer	
6	1	050539	EL Receptacle Connector	
7	2	050540	EL Female Terminal	
8	1	990599	EL Plug Connector - 2 Position	
9	1	990857	EL Receptacle Connector - 3 Position	
10	1	990858	EL Plug Connector - 3 Position	
*	1	050070	EL Conversion Kit - 3'	
*	1	050078	EL Conversion Kit - 4'	

*Kit includes items 1-7 plus new control link pin, retaining ring, and baseplate screws.



SS33A/SS35A SERIES (SIGNAL SWITCH) OPTION

Item No.	Quantity	Part No.	Description	Finish
1	1	050544	SS Cable	
2	1	050545	SS Housing	
3	1	990601	SS Plug Connector - 6 Position	
4	1	990602	SS Receptacle Connector - 6 Position	

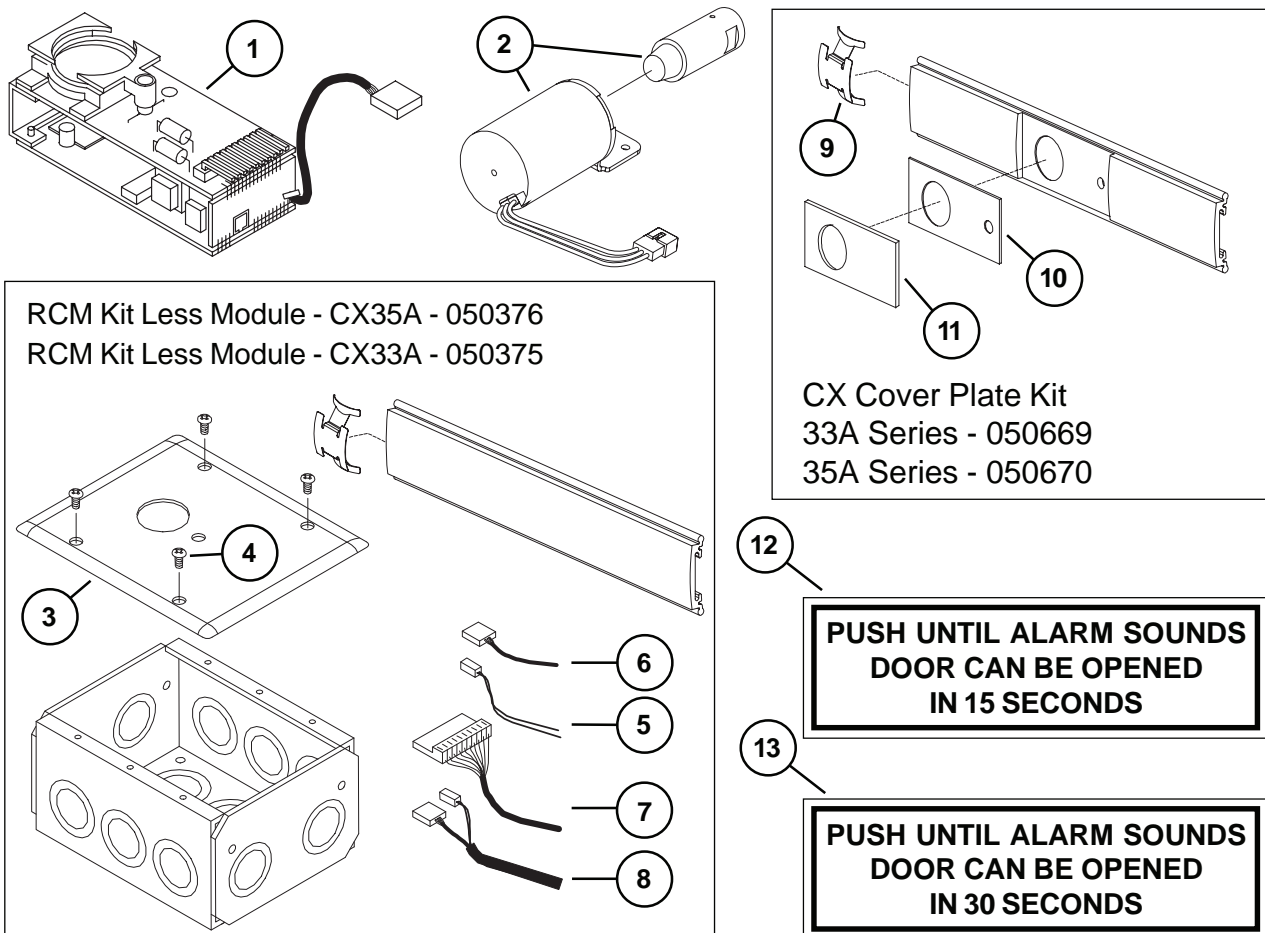


CX33A/35A SERIES CHEXIT AND CX-RCM OPTION

For discontinued Chexit devices made before August, 24 2015

Item No.	Quantity	Part No.	Description	Finish
1	1	050228	Chexit PCB Kit - 15 Second Release	
1*	1	050700	Chexit PCB Kit - 30 Second Release	
1	1	050701	Chexit PCB Kit - 0 Second Release	
1	1	050702	Chexit PCB Kit - Boca 15 Second Release	
1*	1	050703	Chexit PCB Kit - Boca 30 Second Release	
2	1	050533	CX Solenoid and Plunger	
3	1	113111	Faceplate and Adapter	X
4	4	963898	6-32 x 3/8" OPHMS Faceplate Screws	X
5	1	991338	RCM 2-Wire RX Cable	
6	1	991339	RCM 3-Wire Solenoid Cable	
7	1	112018	Chexit Wiring Assembly	
8	1	991336	CX-RCM Cable Assy - 5 Wire	
9	1	090036	Cover Plate Anti-rattle Spring (Pkg of 10)	
10	1	970513	LED Cover Mask - Chexit	
11	1	970519	LED Cover - Chexit	
12	1	113781	Sign 15 Second - Chexit	
13	1	113782	Sign 30 Second - Chexit	

*Over 15 second delay requires a letter of approval from the authority having local jurisdiction over the premises prior to the installation of the device. Allegion cannot grant such approval nor does it warrant local jurisdiction compliance.

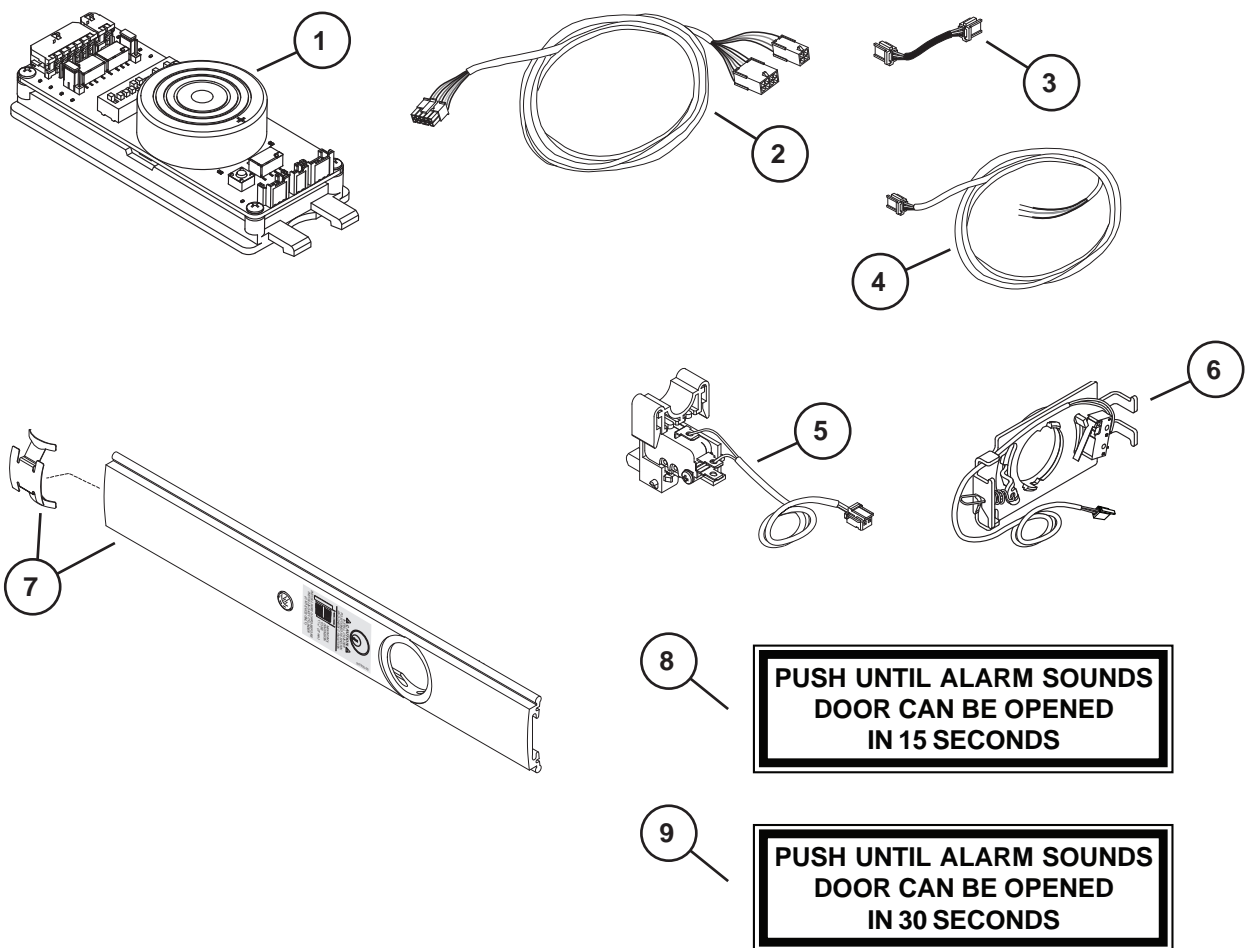


CX33A/35A SERIES CHEXIT

For new Chexit devices made after August, 24 2015

Item No.	Quantity	Part No.	Description	Finish
1	1	040086	Standard - 15 Second Release Delay	
1*	1	040087	Special Infinite Release Delay	
1*	1	040088	Special 30 Second Release Delay	
1	1	040089	Special 0 Second Release Delay	
1	1	040090	Special Mute 15 Second Release Delay	
1	1	040091	BOCA 15 Second Release Delay	
2	1	040191	CX Field Wiring Cable	
3	1	040192	CX Motor Cable	
4	1	040193	CX Trim Device Cable	
5	1	116717	CX RX Switch Assembly	
6	1	040170	CX Key Switch Assembly 3'	
6	1	040189	CX Key Switch Assembly 4'	
7	1	040093	CX33/99 Cover Plate Kit	X
7	1	040094	CX35/98 Cover Plate Kit	X
8	1	113781	Sign 15 Second	
9	1	113782	Sign 30 Second	

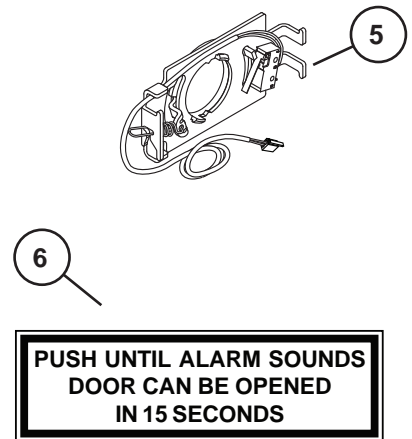
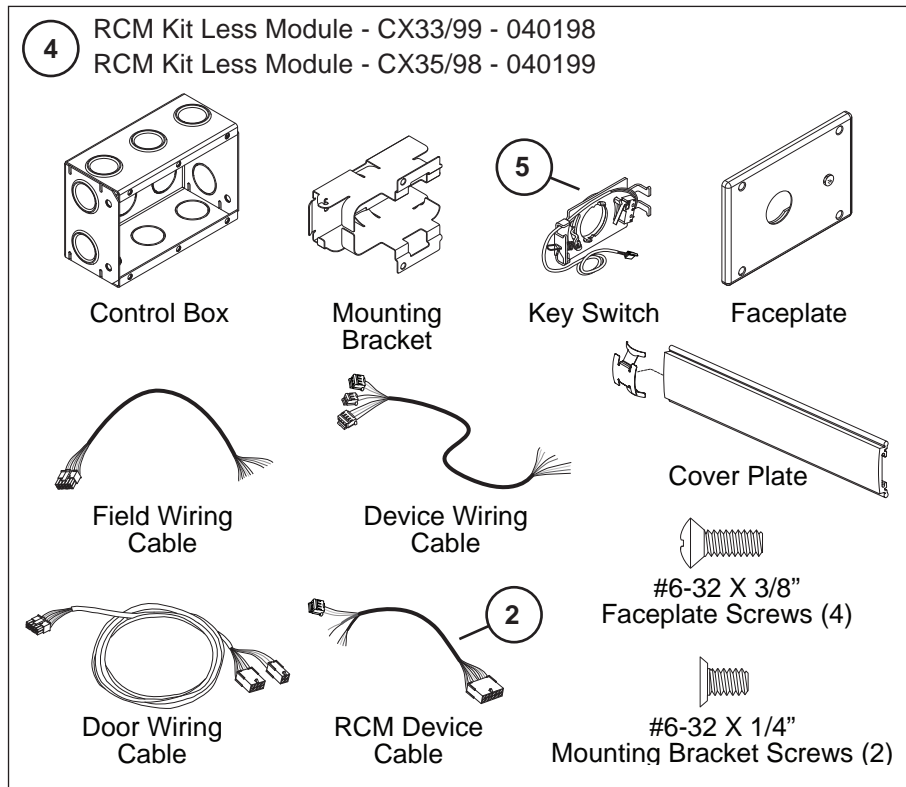
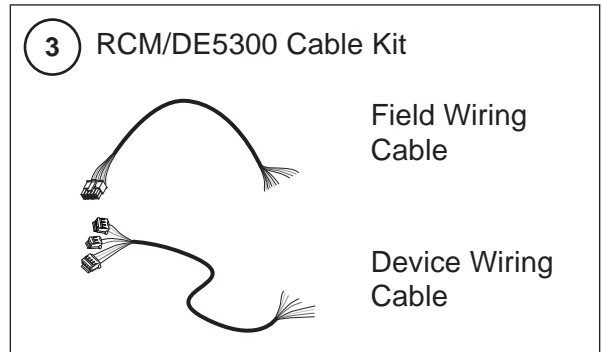
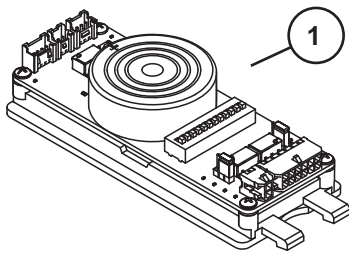
*Over 15 second delay requires a letter of approval from the authority having local jurisdiction over the premises prior to the installation of the device. Allegion cannot grant such approval nor does it warrant local jurisdiction compliance.

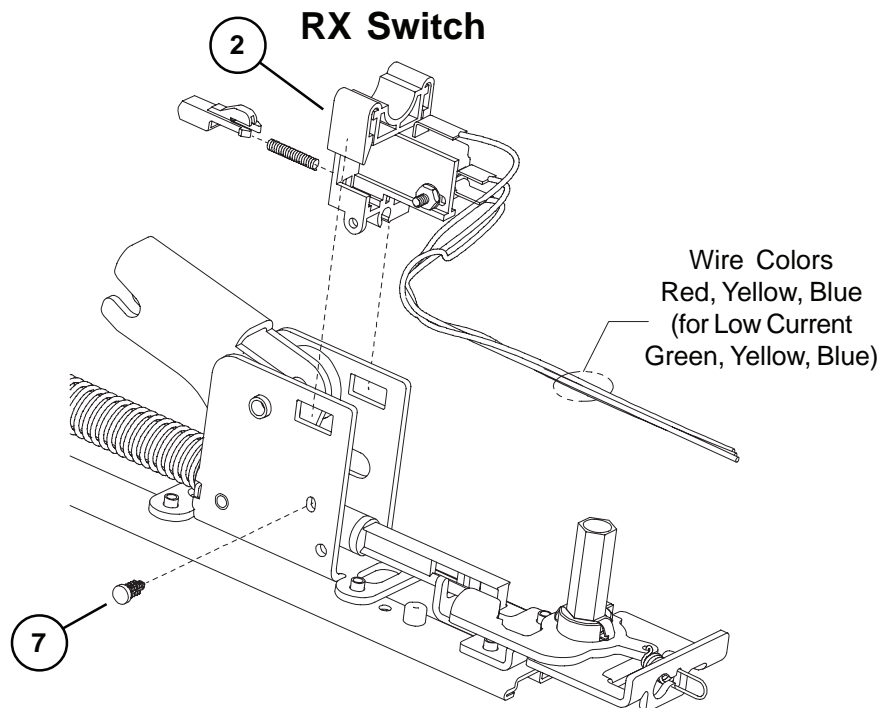
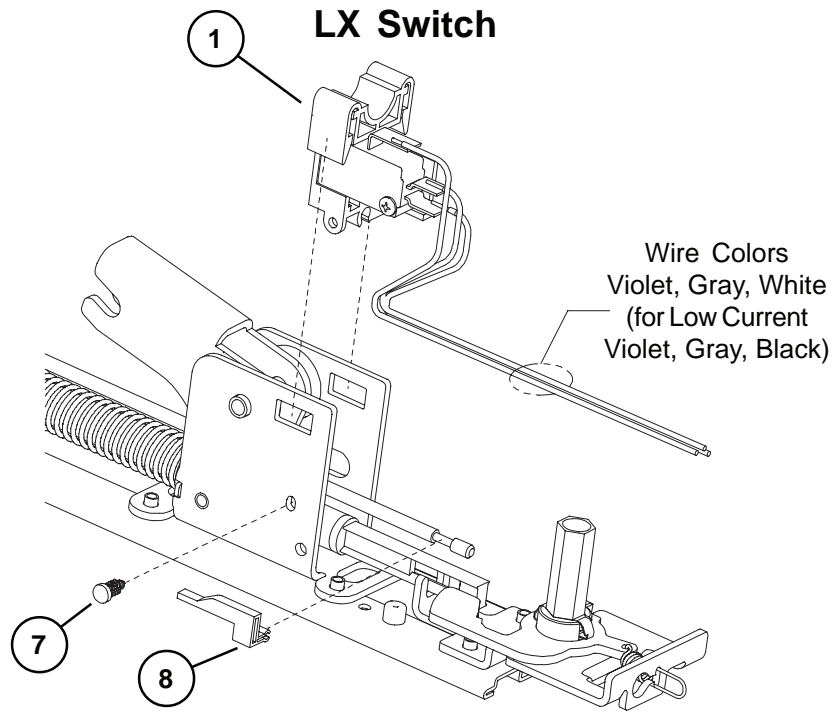


CX-RCM/DE5300 OPTIONS

For new RCM/DE5300 devices made after August, 24 2015

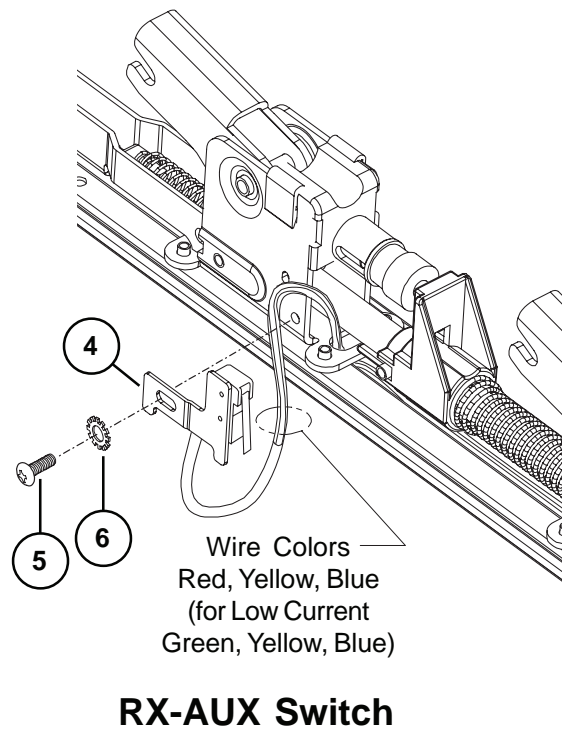
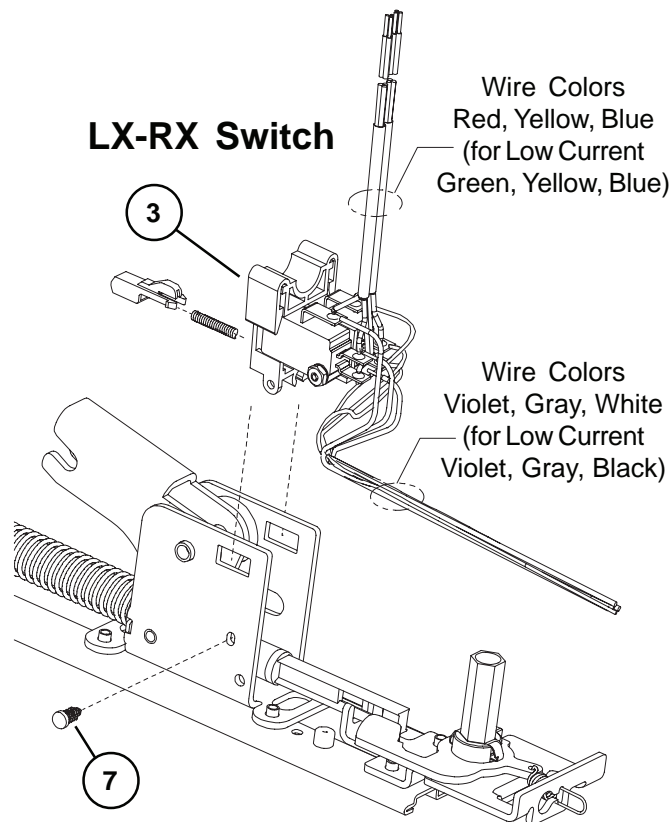
Item No.	Quantity	Part No,	Description	Finish
1	1	116711	Standard - 15 Second Release Delay	
2	1	040092	RCM Device Cable	
3	1	040188	DE5300/RCM Cable Kit	
4	1	040198	RCM Kit Less Module - CX33/99	X
4	1	040199	RCM Kit Less Module - CX35/98	X
5	1	040169	DE5300/RCM Key Switch Assy	
6	1	113781	Sign 15 Second	





33A/35A SERIES LX (LATCH BOLT MONITOR) & RX (REQUEST TO EXIT) OPTIONS

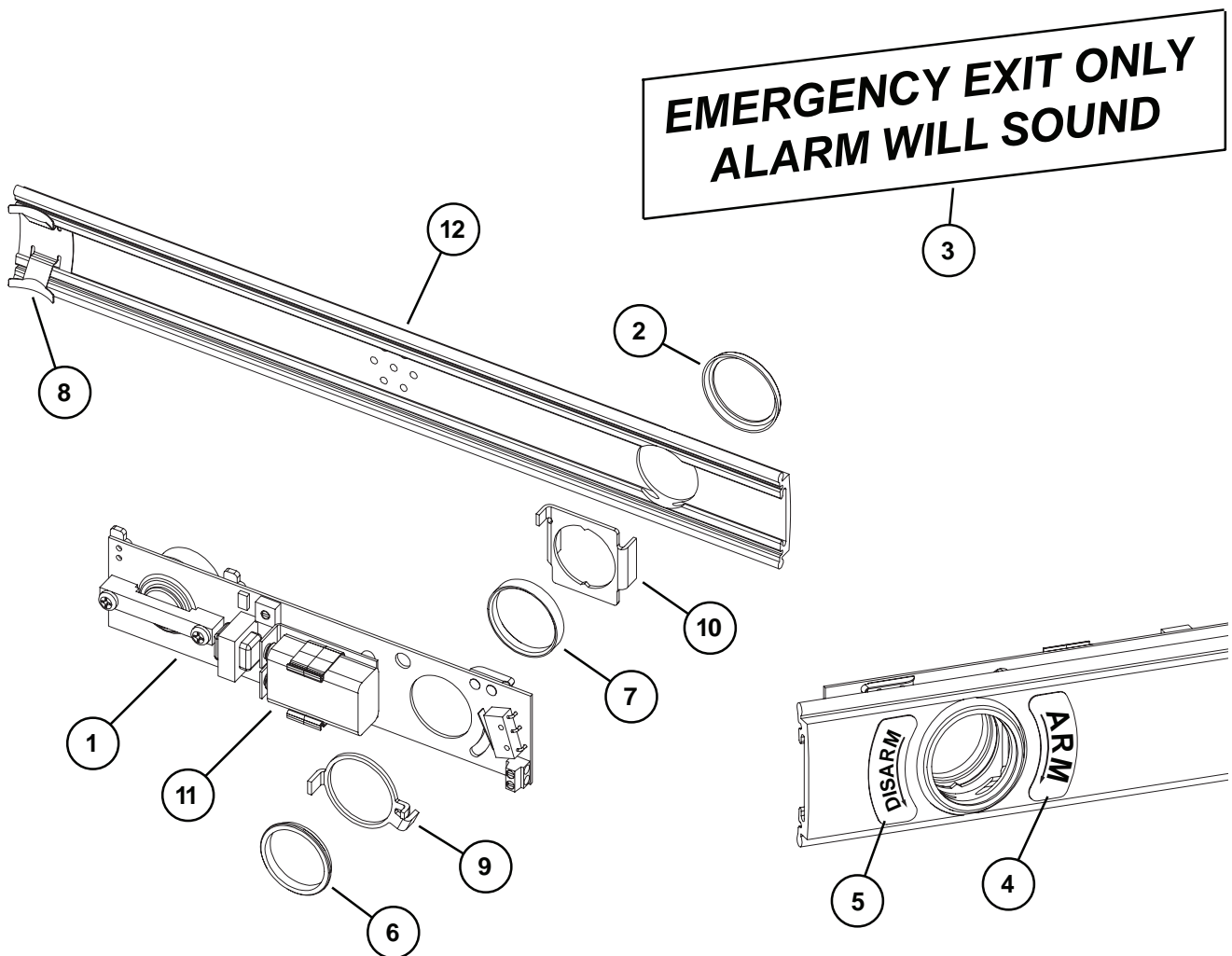
Item No.	Quantity	Part No.	Description	Finish
1	1	050254	LX Switch Kit 3' Device	
1	1	050255	LX Switch Kit 4' Device	
1	1	050247	LX-EL Switch Kit	
1	1	050283	LX-LC (Low Current) Switch Kit 3' Device	
1	1	050285	LX-LC (Low Current) Switch Kit 4' Device	
1	1	050287	LX-LC-EL (Low Current) Switch Kit	
2	1	050251	RX Switch Kit	
2	1	050281	RX-LC (Low Current) Switch Kit	
3	1	050256	LX-RX Switch Kit 3' Device	
3	1	050257	LX-RX Switch Kit 4' Device	
3	1	050259	LX-RX-EL Switch Kit	
3	1	050289	LX-RX-LC (Low Current) Sw. Kit 3' Device	
3	1	050291	LX-RX-LC (Low Current) Sw. Kit 4' Device	
3	1	050293	LX-RX-LC-EL (Low Current) Switch Kit	
2 & 4	1	050270	RX-2 Switch Kit	
4	1	050271	RX-AUX Switch Kit	
5	1	964558	8-32 x 5/16" PPHMS	
6	1	964019	#8 Washer	
7	1	090099	Pine Tree Clip (Pkg of 10)	
8	1	971091	LX Actuator	



33A/35A ALK EXIT ALARM KIT

Item No.	Quantity	Part No.	Description	Finish
1	1	111795	ALK PCB Assembly	
2	1	050525	Cylinder Collar	X
3	1	969122	ALK Alarm Device Sign	
4	1	969349	ALK Arming Label	
5	1	969350	ALK Disarming Label	
6	1	969354	Retainer Nut	
7	1	970594	ALK Cylinder Spacer	
8	1	090036	Cover Plate Anti-rattle spring (Pkg of 10)	
9	1	971556	ALK Switch Actuator	
10	1	971557	ALK Cylinder Bracket	
11	1	990637	ALK Battery	
12	1	050406	33A Series ALK Cover Plate Kit	X
12	1	050407	35A Series ALK Cover Plate Kit	X

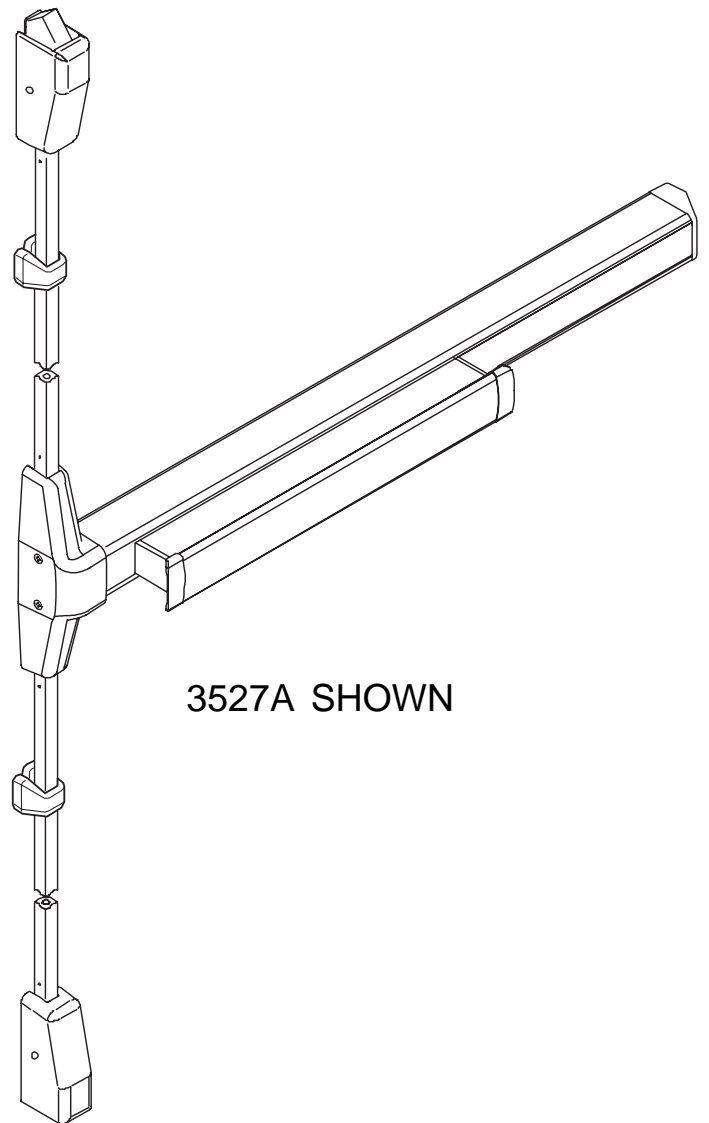
X in "Finish" column designates finished items; finish must be specified when ordering.



VON DUPRIN®

3327A/3527A Series Exit Device

Service manual



3527A SHOWN

INDEX

3327A/3527A Fire and Panic Devices	
Basic Device	4-5
Vertical Rods and Latches	6-7
LBR Fire Latch Kit	8
Baseplate Assembly	9
Variations of the Basic Device	
CD (Cylinder Dogging)	4-5
HD-EL (Hex Dogging/Electric Latch Retraction)	10
EL (Electric Latch Retraction)	11
SS (Signal Switch)	11
RX (Request to Exit)	12-13
LX (Latch Bolt Monitoring)	12-13
ALK (Exit Alarm Kit)	14-15
General Information	
Introduction	2
How to Order	2
Part Number Changes	2
Finishes	3
Outside Trim Functions	3
Strikes	3

INTRODUCTION

This manual contains a listing of replaceable parts and assemblies for the 3327A/3527A Panic Exit Hardware Devices. (3327A Series and 3527A Series devices are almost identical. The 3327A Series has a grooved case; the 3527A Series has a smooth case.)

HOW TO ORDER

Some parts are sold separately. Other items are available as part of a kit or multiple quantity package. For the best possible service when ordering replacement parts or assemblies, please provide the following information:

- Part number or assembly number
- Description
- Quantity needed
- Finish desired (if available finished)
- Date of original purchase (if known)

To find out the name of your local Von Duprin distributor or sales representative, contact:

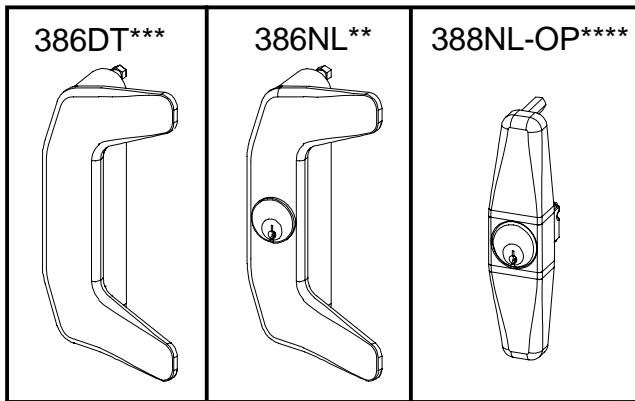
Von Duprin Division
Allegion
2720 Tobey Drive
Indianapolis, IN 46219
Phone: (877) 671-7011

PART NUMBER AND AVAILABILITY CHANGES

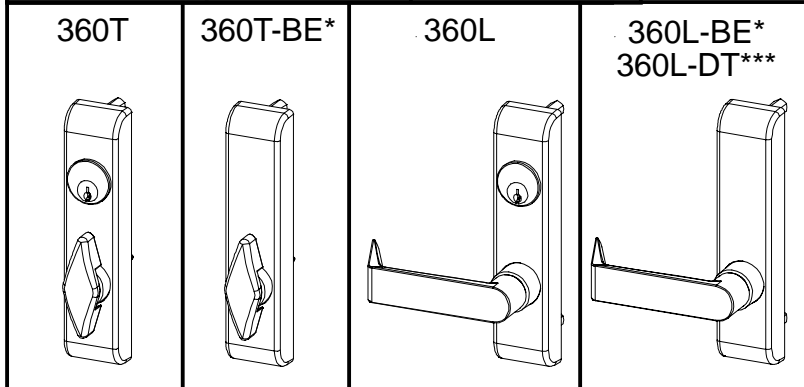
This manual was designed to help illustrate the replacement parts and kits that are available for sale. Because of changes to the product and/or manufacturing process, part numbers and availability can change over time.

OUTSIDE TRIM FUNCTIONS

33A/35A SERIES FINISHES



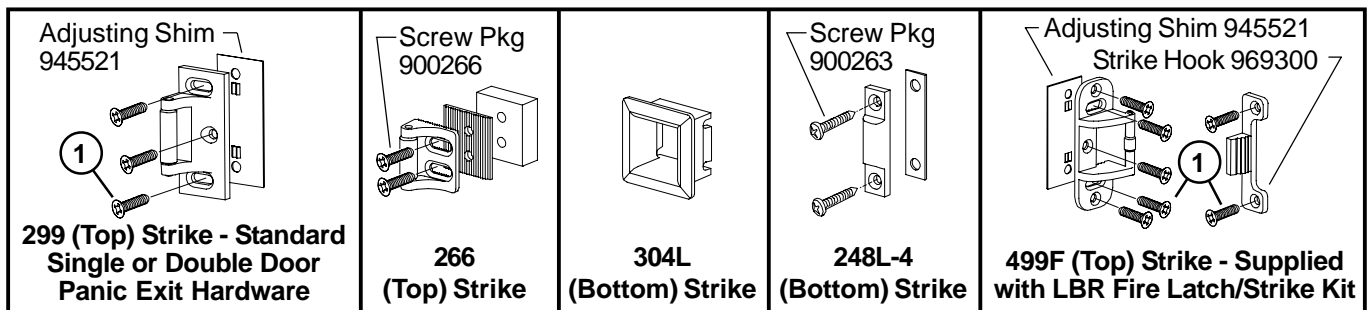
U.S. Std Reference	BHMA Reference	Description
US3	605	Polished Brass
US4	606	Dull Brass
US10	612	Dull Bronze
US15	619	Satin Nickel
US26	625	Polished Chrome
US26D	626	Dull Chrome
US28	628	Anodized Alum. (Clear)
313AN	710	Anodized Alum. (313) Dark Bronze
315AN	711	Anodized Alum. (Black)



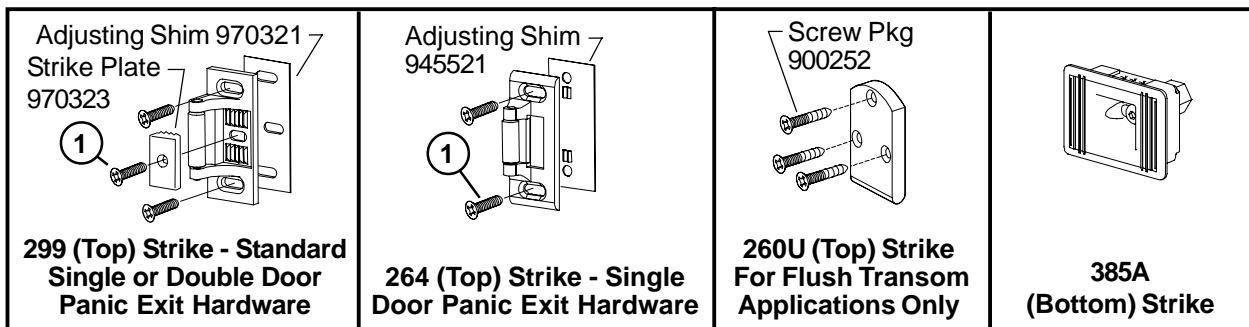
- * "BE" (Blank Escutcheon) no cylinder used - lever always active
- ** "NL" (Night Latch) rigid lever - key retracts latch bolt
- *** "DT" (Dummy Trim) rigid lever for pull operation
- **** "NL-OP" (Optional Pull) needs to be added

STANDARD STRIKES

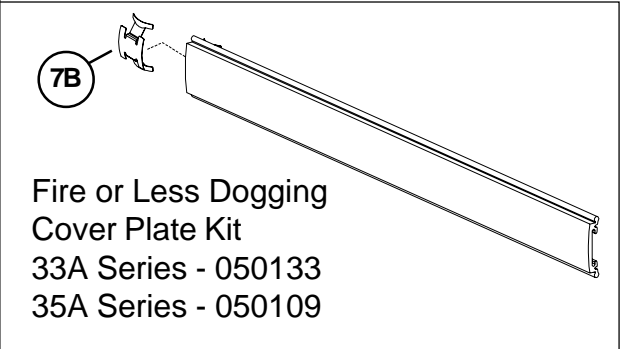
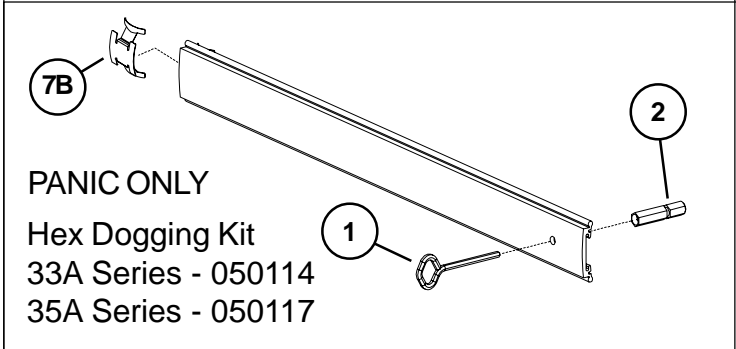
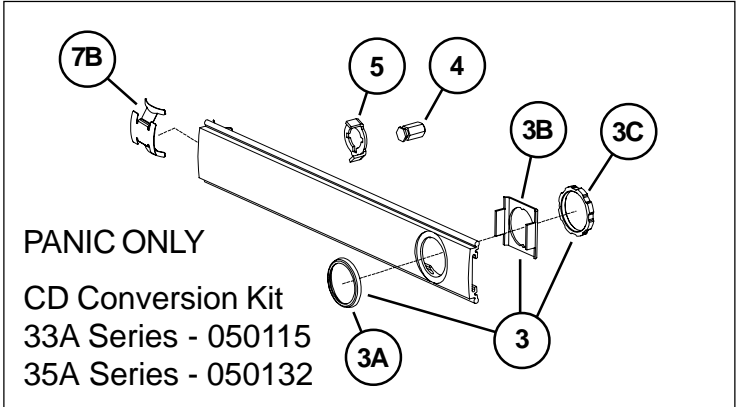
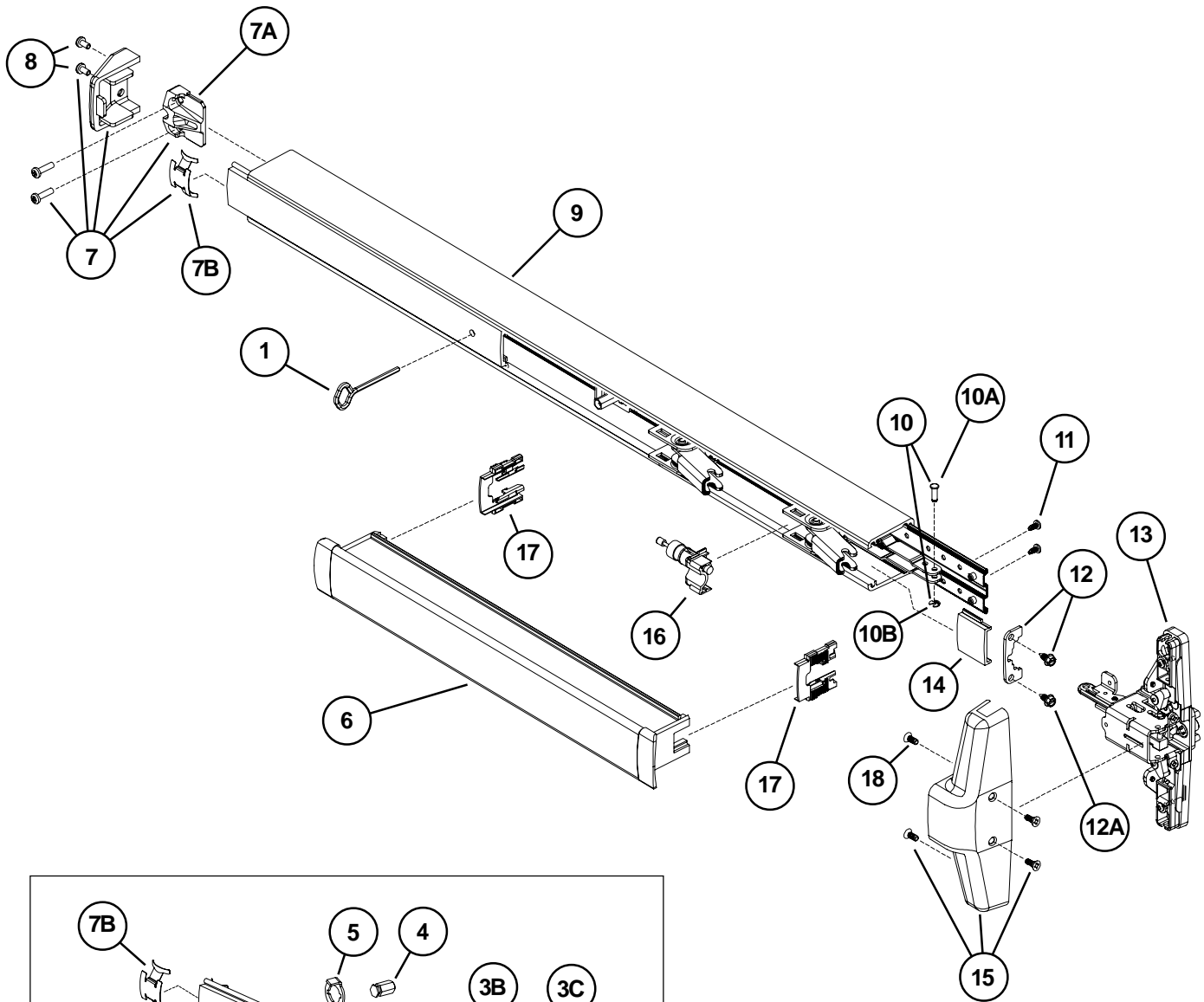
- ① Metal Door Screw Package PKGSRV.1023 (Pkg of 10)
- Wood Door Screw 964291 (Qty of 1)



OPTIONAL STRIKES FOR PANIC EXIT HARDWARE



3327A/3527A PANIC AND 3327A-F/3527A-F FIRE EXIT DEVICE



3327A/3527A PANIC AND 3327A-F/3527A-F FIRE EXIT DEVICE

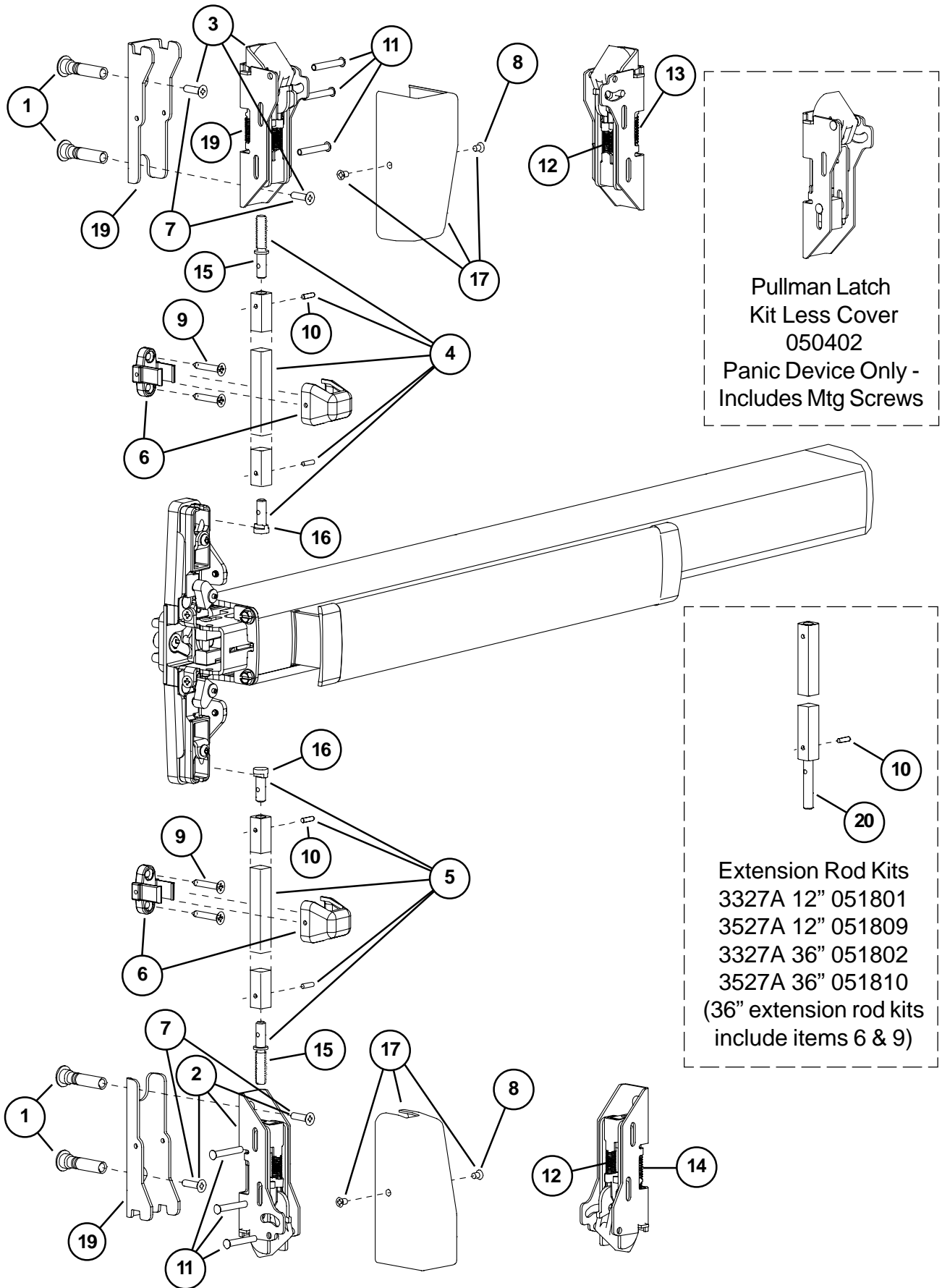
Item No.	Quantity	Part No.	Description	Finish
	1	900619	33A/35A Series Mounting Pkg. (1-3/4 & 2-1/4)	
1	1	090085	227 Dog Key 5/32" Hex (Pkg of 10)	
1	1	090005	227 Dog Key 5/32" Hex (Pkg of 2)	
2	1	090040	Hex Dog Shaft (Pkg of 2)	
3	1	107813	Cylinder Mounting Pkg	X
3A	1	050525	Cylinder Collar	X
3B	1	050490	Cylinder Locating Washer - CD/SS	
3C	1	050526	Cylinder Locknut	
4	1	090046	CD Dogging Plug (Pkg of 2)	
5	1	090045	CD Actuator Arm (Pkg of 2)	
6	1	*PBKIT	33A/35A Series Push Bar Retrofit Kit - 3' Door	X
6	1	*PBKIT	33A/35A Series Push Bar Retrofit Kit - 4' Door	X
7	1	050014	33A/35A Series End Cap Kit	X
7A	1	050524	Impact Resistant End Cap Bracket	
7B	1	090036	Cover Plate Anti-rattle Spring (Pkg of 10)	
8	1	900597	Device End Cap and C/Case Screw Pkg.	X
9	1	050486	33A Series Mechanism Case - 3' Door	X
9	1	050487	33A Series Mechanism Case - 4' Door	X
9	1	050488	35A Series Mechanism Case - 3' Door	X
9	1	050489	35A Series Mechanism Case - 4' Door	X
10	1	050529	Control Link Pin & Ret. Ring	
10A	1	090031	Control Link Pin (Pkg of 10)	
10B	1	090107	Retaining Ring (Pkg of 10)	
11	2	090037	#8-32 x 3/8" Baseplate Screw (Pkg of 10)	
12	1	050530	Mechanism Case Bracket Kit	
12A	2	090073	Mechanism Case Bracket Screw (Pkg of 10)	
13**	1	050404	3327A/3527A Center Case Less Cover	
14	1	050474	33A Series Cover Plate - C. Case Side	X
14	1	050475	35A Series Cover Plate - C. Case Side	X
15	1	050484	3327A/3527A Center Case Cover Kit	X
16	1	050491	Shock Absorber & Holder Assembly	
17	2	090049	Push Bar Guide (Pkg of 10)	
18	4	900892	Center Case Cover Screws (Pkg of 4)	X

X in "Finish" column designates finished items; finish must be specified when ordering.

* To order, specify device type, size, and finish. Example: PBKIT 33A 3' US28

** Device mounting screws 900619 included.

3327A/3527A VERTICAL RODS AND LATCHES



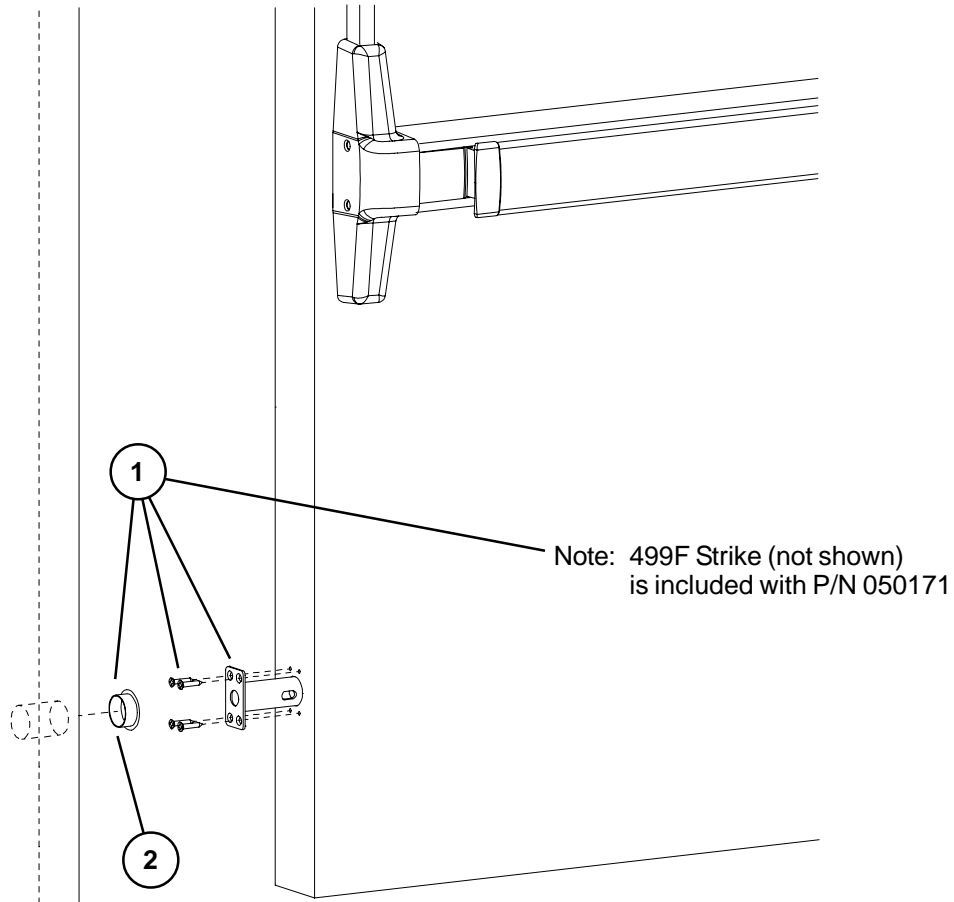
3327A/3527A VERTICAL RODS AND LATCHES

Item No.	Quantity	Part No.	Description	Finish
1	2	034902	325 Sex Bolt Package (Pkg of 2)	X
2	1	050401	33/3527A Bottom Latch Kit Less Cover	
3	1	050400	33/3527A Top Latch Kit Less Cover	
4	1	050512	3327A Top Rod Kit	X
4	1	050513	3527A Top Rod Kit	X
5	1	050514	3327A Bottom Rod Kit	X
5	1	050515	3527A Bottom Rod Kit	X
6	2	105952	33/3527A Rod Guide Pkg	X
7	1	900589	Latch Mounting Package (Pkg of 4)	
8	2	900850	Latch Case Cover Screw (Pkg of 2)	X
9	2	900565	Rod Guide Mounting Package	
10	4	090054	Rod Roll Pin (Pkg of 10)	
11	6	090055	Housing Guide Pin (Pkg of 10)	
12	2	090065	Bolt Return Spring (Pkg of 10)	
13	1	090056	Top Latch Compression Spring (Pkg of 10)	
13	1	090057	PL Top Latch Spring (Pkg of 10)	
14	1	090058	Bottom Latch Case Spring (Pkg of 10)	
15	2	090067	Rod Connector - Latch (Pkg of 2)	
16	2	090068	Rod Connector - Center Case (Pkg of 2)	
17	2	050496	Latch Case Cover Kit w/Screws	X
18	1	090076	Aux. Bolt Spring (Pkg of 10)	
19	2	050546	Latch Case Mtg. Bracket	
20	1	090075	Rod Extension Connector (Pkg of 4)	

X in "Finish" column designates finished items; finish must be specified when ordering.

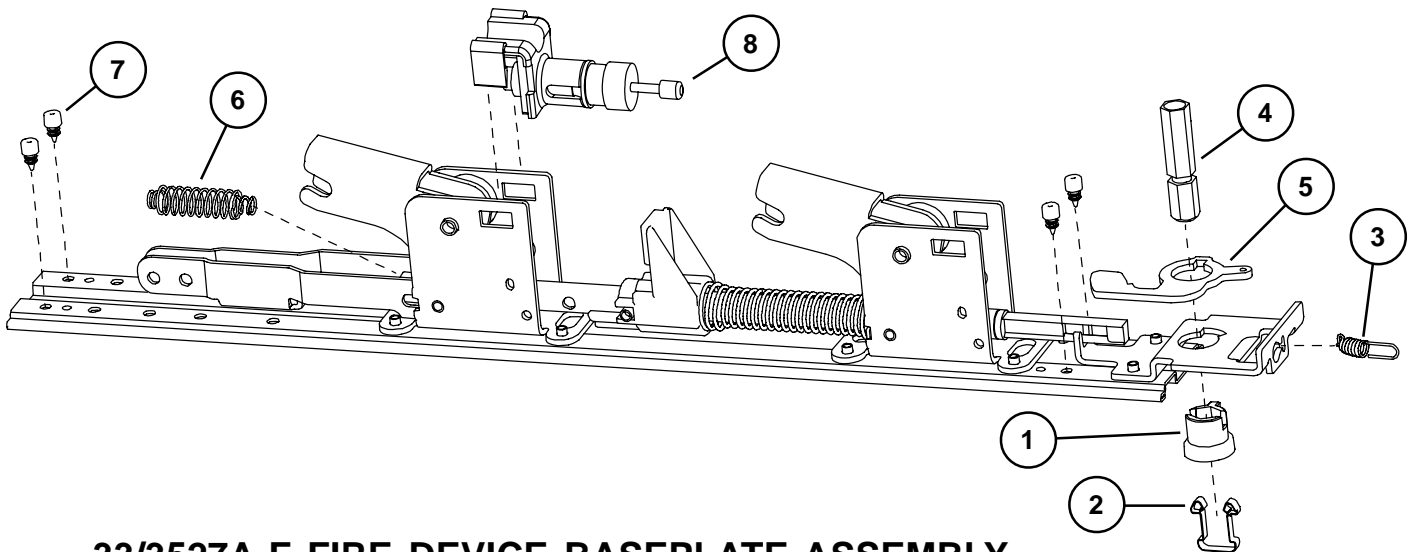
33/3527A-F LBR (LESS BOTTOM ROD) FIRE LATCH KIT

Item No.	Quantity	Part No.	Description	Finish
1	1	050171	LBR Fire Latch/Strike kit	
2	1	050509	LBR Fire Strike Plug	



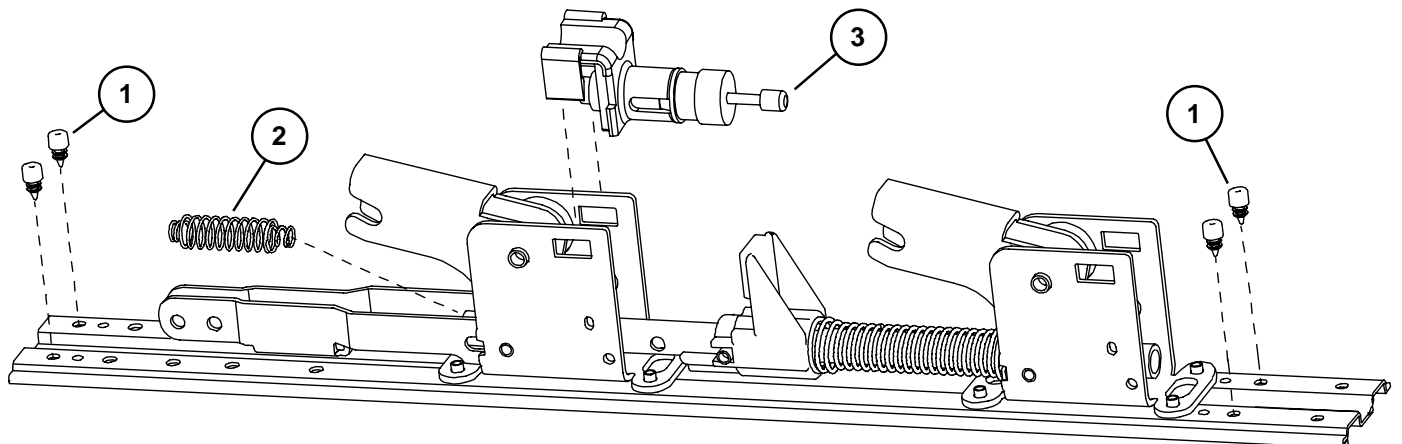
3327A/3527A PANIC DEVICE BASEPLATE ASSEMBLY

Item No.	Quantity	Part No.	Description	Finish
1	1	090043	Dogging adapter (Pkg of 2)	
2	1	090042	Dogging adapter spring (Pkg of 2)	
3	1	090041	Dogging spring (Pkg of 2)	
4	1	090040	Hex dogging shaft (Pkg of 2)	
5	1	090044	Dogging hook (Pkg of 2)	
6	1	090039	Latch return spring (Pkg of 10)	
7	4	090038	Rubber bumper (Pkg of 4)	
8	1	050491	Shock absorber	



33/3527A-F FIRE DEVICE BASEPLATE ASSEMBLY

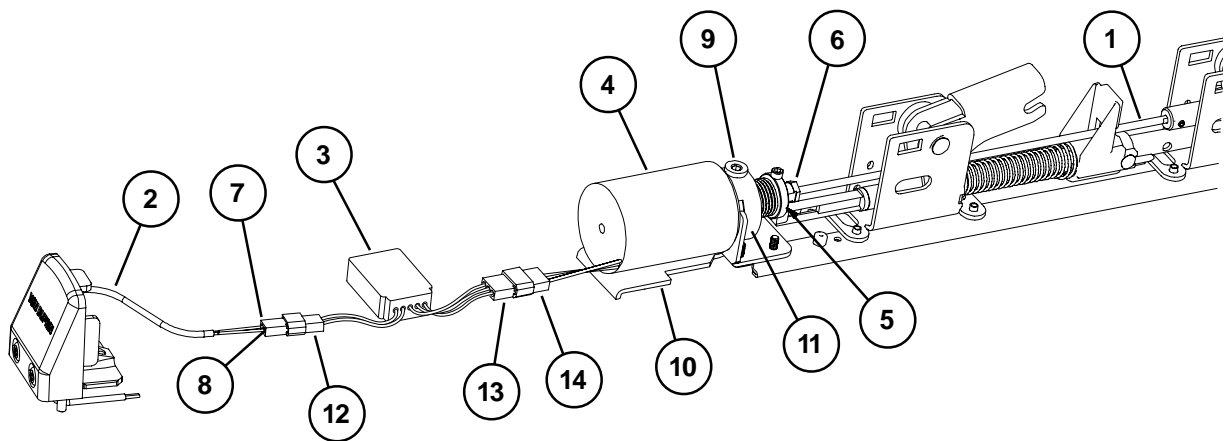
Item No.	Quantity	Part No.	Description	Finish
1	4	090038	Rubber bumper (Pkg of 4)	
2	1	090039	Latch return spring (Pkg of 10)	
3	1	050491	Shock absorber	



HD-EL3327A/HD-EL3527A HEX DOGGING/ELECTRIC LATCH RETRACTION OPTION - PANIC DEVICE ONLY

Item No.	Quantity	Part No.	Description	Finish
1	1	050531	EL Dogging Rod Kit - 3' device	
1	1	050532	EL Dogging Rod Kit - 4' device	
2	1	110388	EL 6' Cable and Connector	
3	1	050534	EL Potted Module	
4	1	050536	HD-EL Solenoid	
5	1	050537	HD-EL Solenoid Plunger	
6	1	050538	EL Dogging Rod Retainer	
7	1	050539	EL Receptacle Connector - 2 Position	
8	2	050540	EL Female Terminal	
9	1	050541	HD-EL Dog Screw	
10	1	050542	HD-EL Solenoid Bracket	
11	1	050543	HD-EL Dogging Spring	
12	1	990599	EL Plug Connector - 2 Position	
13	1	990857	EL Receptacle Connector - 3 Position	
14	1	990858	EL Plug Connector - 3 Position	
*	1	050384	HD-EL Conversion Kit - 3'	
*	1	050385	HD-EL Conversion Kit - 4'	

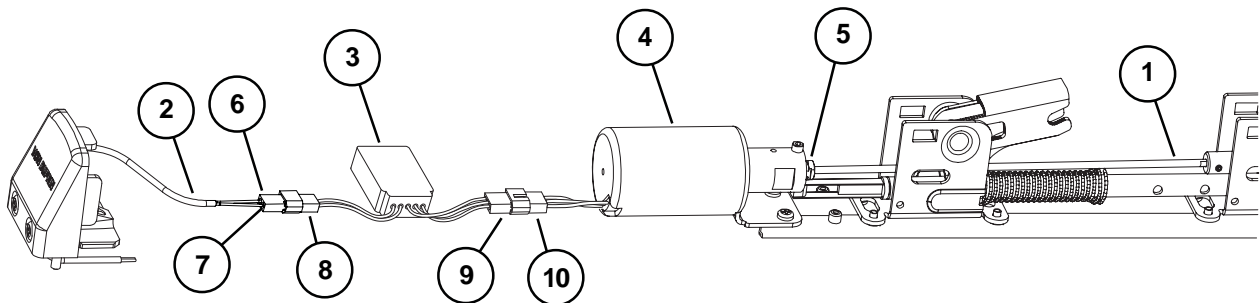
*Kit includes items 1-11 plus new control link, retaining ring, and baseplate screws.



EL3327A/EL3527A ELECTRIC LATCH RETRACTION OPTION

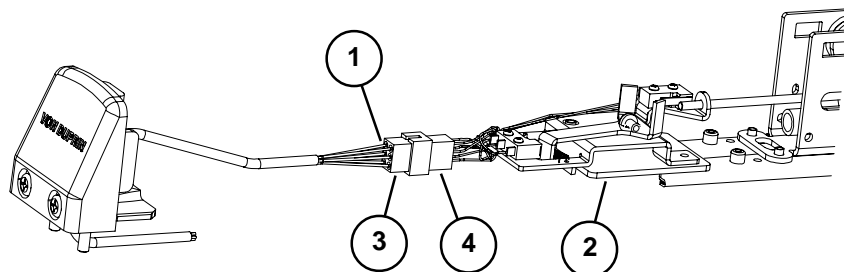
Item No.	Quantity	Part No.	Description	Finish
1	1	050531	EL Dogging Rod Kit - 3' device	
1	1	050532	EL Dogging Rod Kit - 4' device	
2	1	110388	EL 6' Cable and Connector	
3	1	050534	EL Potted Module	
4	1	050535	EL Solenoid Assembly	
5	1	050538	EL Dogging Rod Retainer	
6	1	050539	EL Receptacle Connector	
7	2	050540	EL Female Terminal	
8	1	990599	EL Plug Connector - 2 Position	
9	1	990857	EL Receptacle Connector - 3 Position	
10	1	990858	EL Plug Connector - 3 Position	
*	1	050070	EL Conversion Kit - 3'	
*	1	050078	EL Conversion Kit - 4'	

*Kit includes items 1-7 plus new control link pin, retaining ring, and baseplate screws.

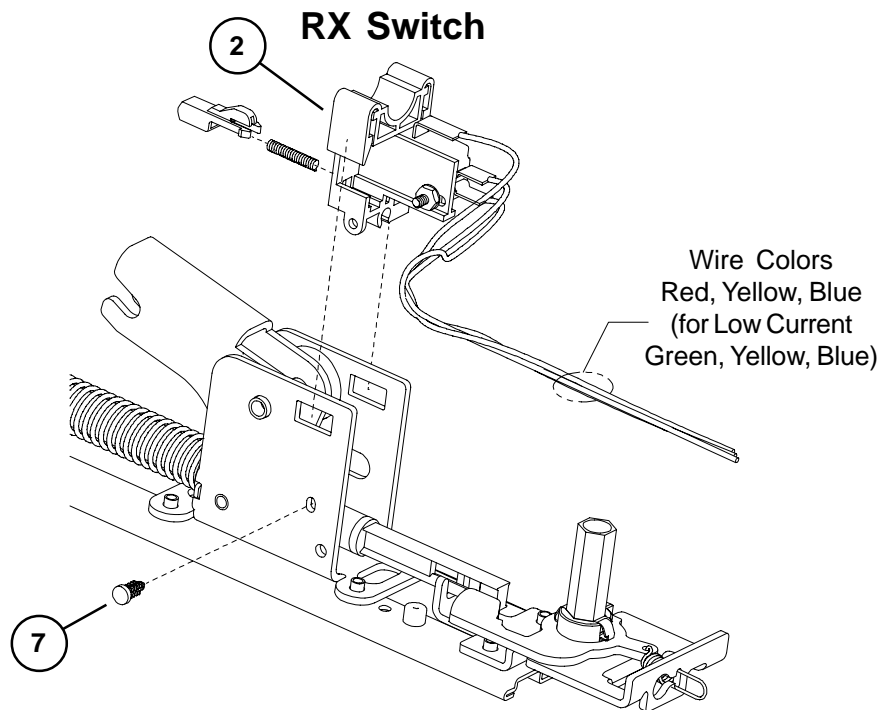
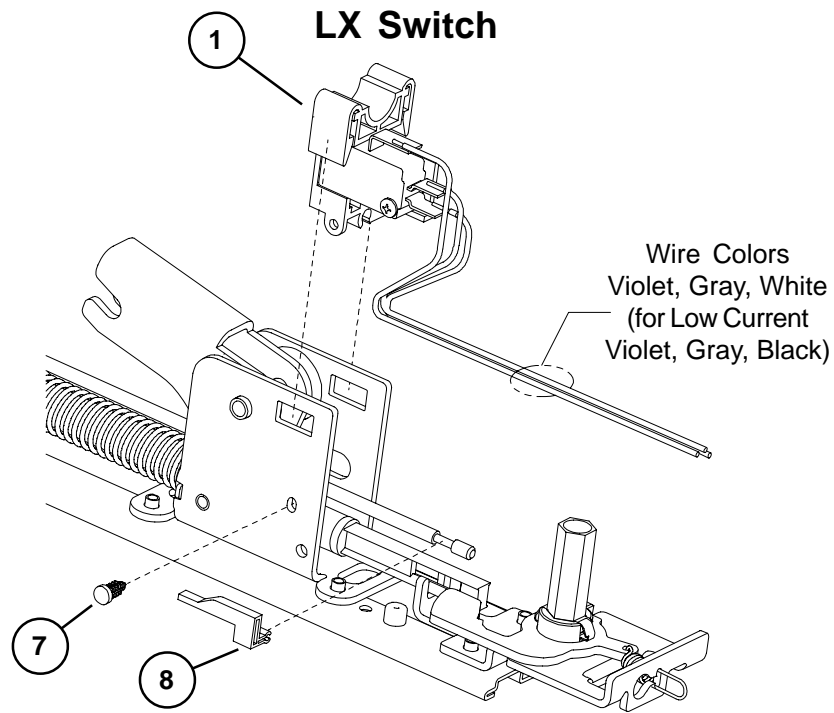


SS3327A/SS3527A (SIGNAL SWITCH) OPTION

Item No.	Quantity	Part No.	Description	Finish
1	1	050544	SS Cable	
2	1	050545	SS Housing	
3	1	990601	SS Plug Connector - 6 Position	
4	1	990602	SS Receptacle Connector - 6 Position	

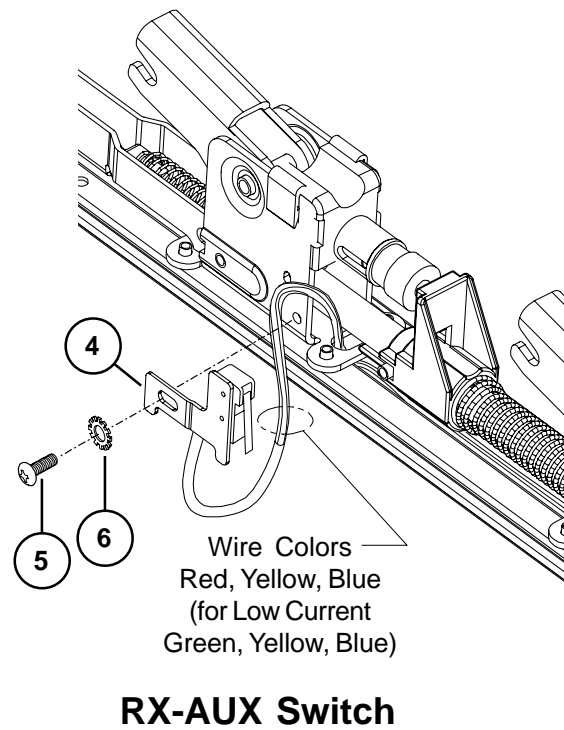
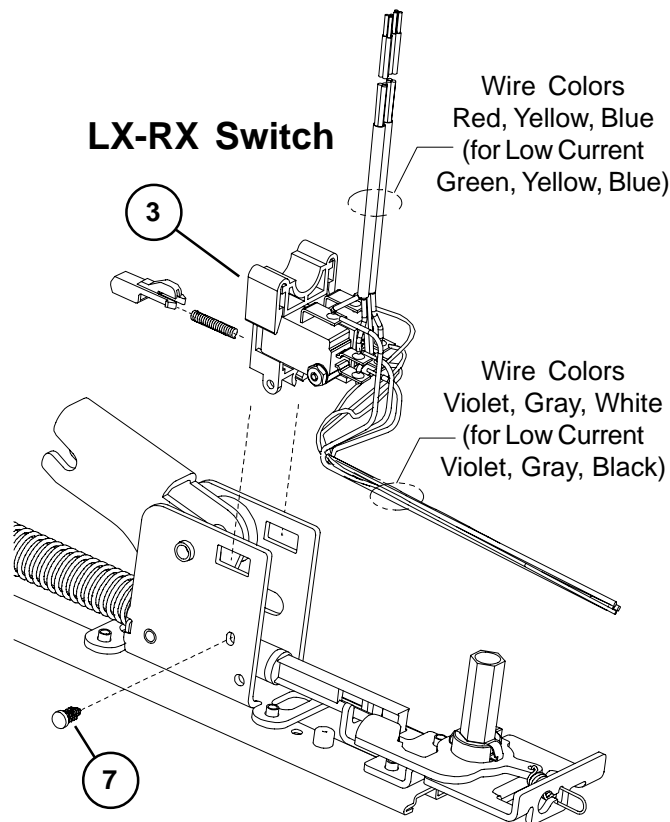


3327A/3527A LX (LATCH BOLT MONITOR) & RX (REQUEST TO EXIT) OPTIONS



3327A/3527A LX (LATCH BOLT MONITOR) & RX (REQUEST TO EXIT) OPTIONS

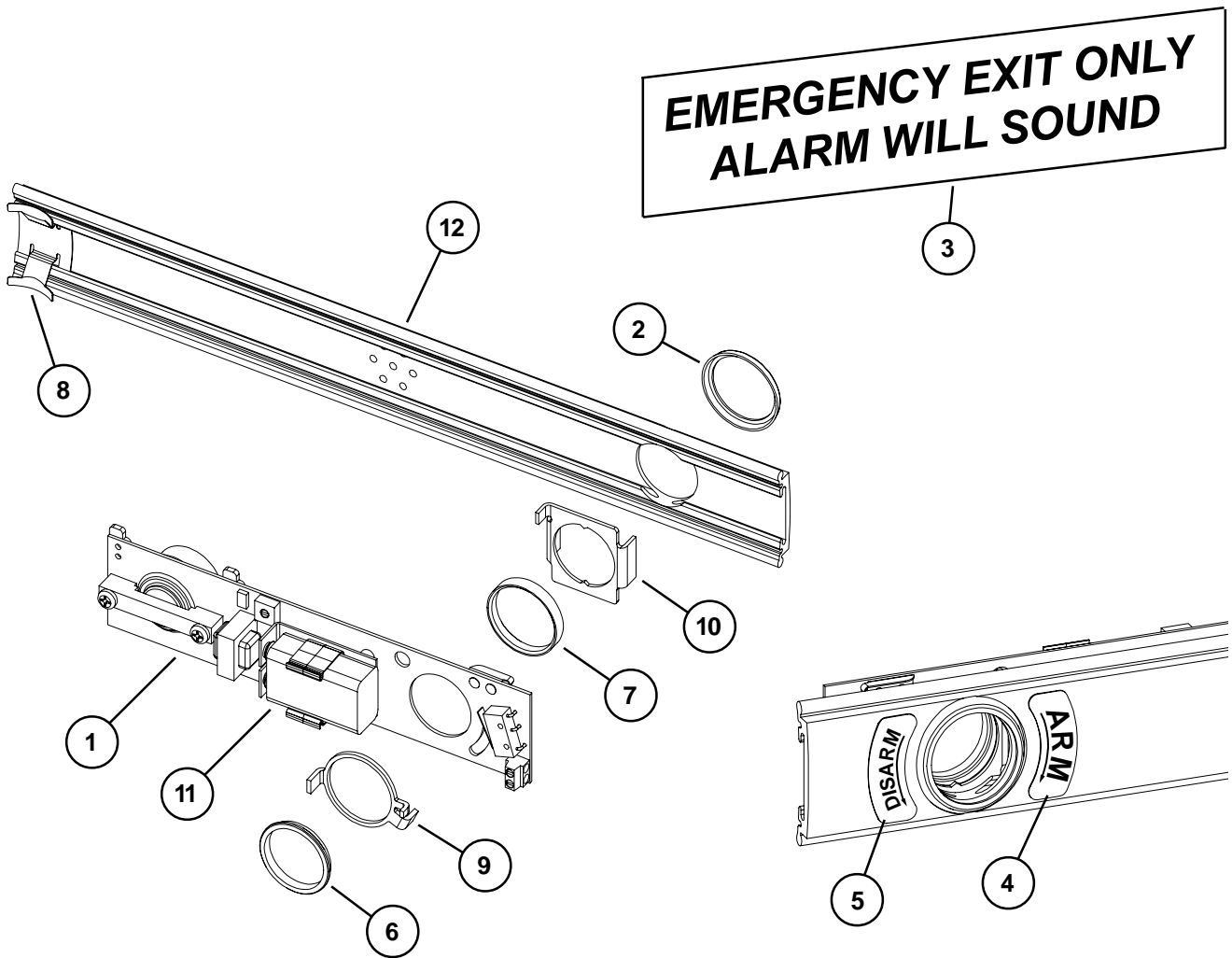
Item No.	Quantity	Part No.	Description	Finish
1	1	050254	LX Switch Kit 3' Device	
1	1	050255	LX Switch Kit 4' Device	
1	1	050247	LX-EL Switch Kit	
1	1	050283	LX-LC (Low Current) Switch Kit 3' Device	
1	1	050285	LX-LC (Low Current) Switch Kit 4' Device	
1	1	050287	LX-LC-EL (Low Current) Switch Kit	
2	1	050251	RX Switch Kit	
2	1	050281	RX-LC (Low Current) Switch Kit	
3	1	050256	LX-RX Switch Kit 3' Device	
3	1	050257	LX-RX Switch Kit 4' Device	
3	1	050259	LX-RX-EL Switch Kit	
3	1	050289	LX-RX-LC (Low Current) Sw. Kit 3' Device	
3	1	050291	LX-RX-LC (Low Current) Sw. Kit 4' Device	
3	1	050293	LX-RX-LC-EL (Low Current) Switch Kit	
2 & 4	1	050270	RX-2 Switch Kit	
4	1	050271	RX-AUX Switch Kit	
5	1	964558	8-32 x 5/16" PPHMS	
6	1	964019	#8 Washer	
7	1	090099	Pine Tree Clip (Pkg of 10)	
8	1	971091	LX Actuator	



33A/35A ALK EXIT ALARM KIT

Item No.	Quantity	Part No.	Description	Finish
1	1	111795	ALK PCB Assembly	
2	1	050525	Cylinder Collar	X
3	1	969122	ALK Alarm Device Sign	
4	1	969349	ALK Arming Label	
5	1	969350	ALK Disarming Label	
6	1	969354	Retainer Nut	
7	1	970594	ALK Cylinder Spacer	
8	1	090036	Cover Plate Anti-rattle spring (Pkg of 10)	
9	1	971556	ALK Switch Actuator	
10	1	971557	ALK Cylinder Bracket	
11	1	990637	ALK Battery	
12	1	050406	33A Series ALK Cover Plate Kit	X
12	1	050407	35A Series ALK Cover Plate Kit	X

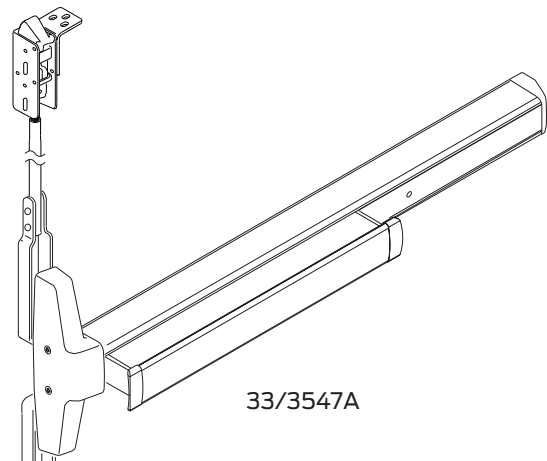
X in "Finish" column designates finished items; finish must be specified when ordering.



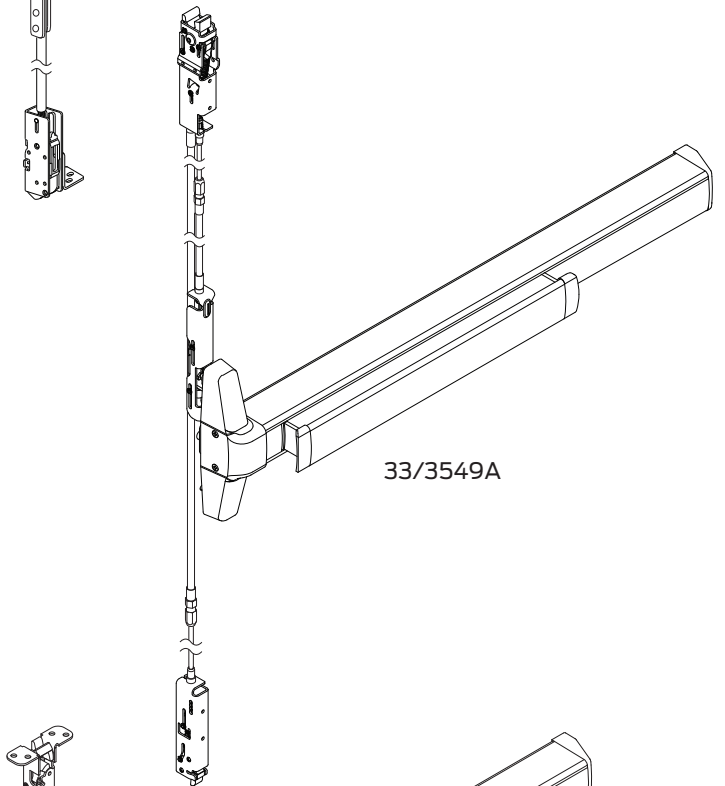
VON DUPRIN

33/3547A,
33/3549A,
& 33/3550A
Series Exit
Devices

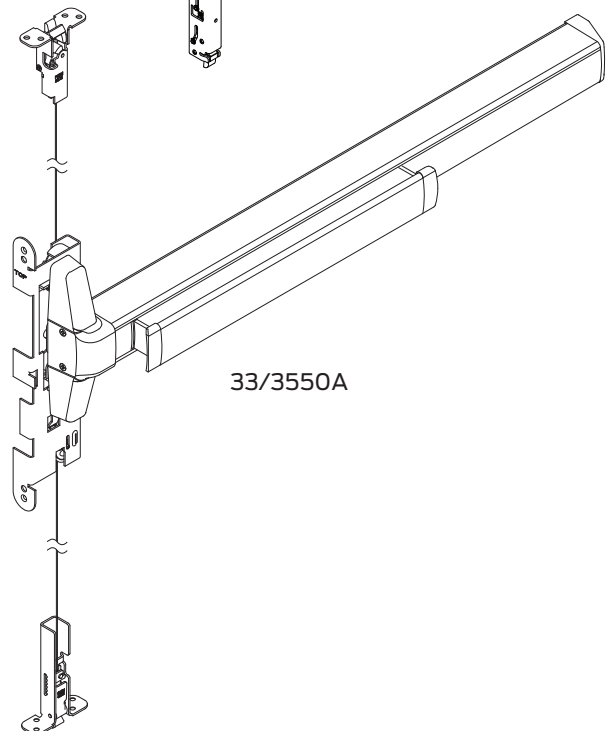
Service manual



33/3547A



33/3549A



33/3550A

INDEX

33/3547A, 33/3549A, & 33/3550AWDC Devices	
Basic Device	4-5
Panic Concealed Vertical Rods and Latches	6-7
Fire Concealed Vertical Rods and Latches	8-9
Panic and Fire Aluminum and Metal Door Concealed Vertical Cables and Latches	10-11
Panic and Fire Wood Door Concealed Vertical Cables and Latches	12-13
LBR (Less Bottom Rod) / LBL (Less Bottom Latch) Fire Latch Kit	14
Baseplate Assembly	15
Variations of the Basic Device	
CD (Cylinder Dogging)	4-5
HD-EL (Hex Dogging/Electric Latch Retraction)	16
EL (Electric Latch Retraction)	17
SS (Signal Switch)	17
RX (Request to Exit)	18-19
LX (Latch Bolt Monitoring)	18-19
ALK (Exit Alarm Kit)	20
General Information	
Introduction	2
How to Order	2
Part Number Changes	2
Finishes	3
Outside Trim Functions	3
Strikes	3

INTRODUCTION

This manual contains a listing of replaceable parts and assemblies for the 33/3547A Concealed Vertical Rod Exit Devices and the 33/3549A / 33/3550AWDC Concealed Vertical Cable Exit Devices. 33 Series and 35 Series devices are almost identical. The 33 Series has a grooved case; the 35 series has a smooth case.

HOW TO ORDER

Some parts are sold separately. Other items are available as part of a kit or multiple quantity package. For the best possible service when ordering replacement parts or assemblies, please provide the following information:

- Part number or assembly number
- Description
- Quantity Needed
- Finish desired (if available finished)
- Date of original purchase (if known)

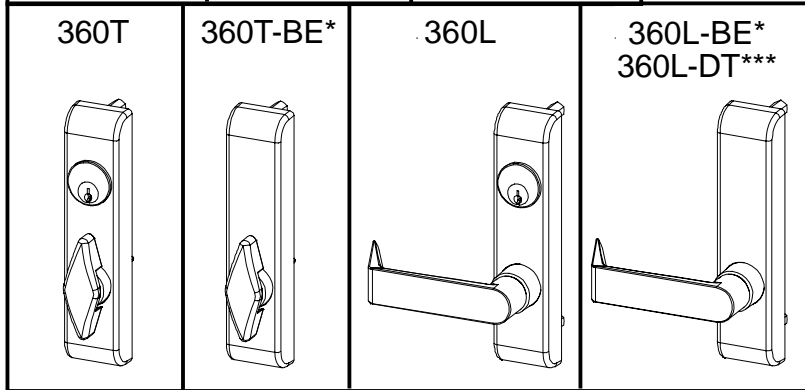
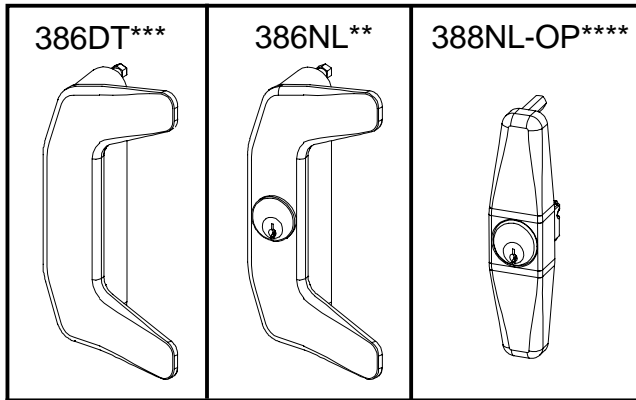
To find out the name of your local Von Duprin distributor or sales representative, contact:

Von Duprin Division
Allegion
2720 Tobey Drive
Indianapolis, IN 46219
Phone: (877) 671-7011

PART NUMBER AND AVAILABILITY CHANGES

This manual was designed to help illustrate the replacement parts and kits that are available for sale. Because of changes to the product and/or manufacturing process, part numbers and availability can change over time.

OUTSIDE TRIM FUNCTIONS



33A/35A SERIES FINISHES

U.S. Std Reference	BHMA Reference	Description
US3	605	Polished Brass
US4	606	Dull Brass
US10	612	Dull Bronze
US15	619	Satin Nickel
US26	625	Polished Chrome
US26D	626	Dull Chrome
US28	628	Anodized Alum. (Clear)
313AN	710	Anodized Alum. (313) Dark Bronze
315AN	711	Anodized Alum. (Black)

- * "BE" (Blank Escutcheon) no cylinder used - lever always active
- ** "NL" (Night Latch) rigid lever - key retracts latch bolt
- *** "DT" (Dummy Trim) rigid lever for pull operation
- **** "NL-OP" (Optional Pull) needs to be added

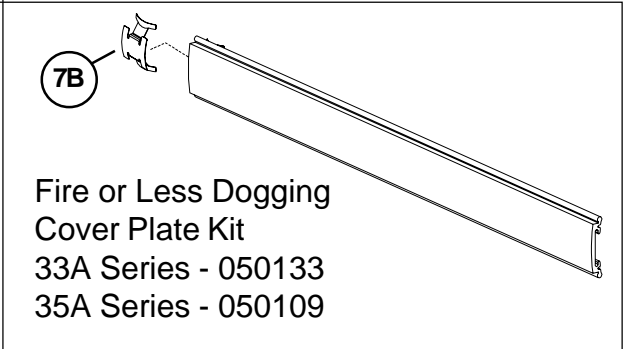
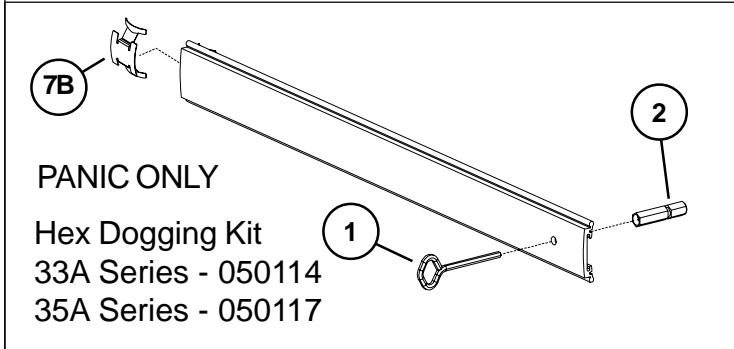
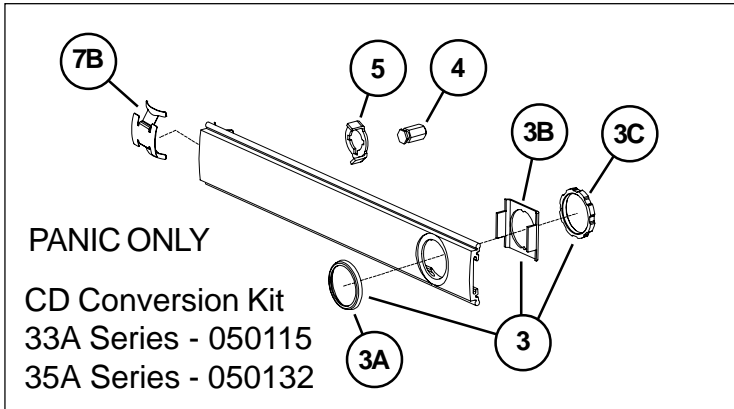
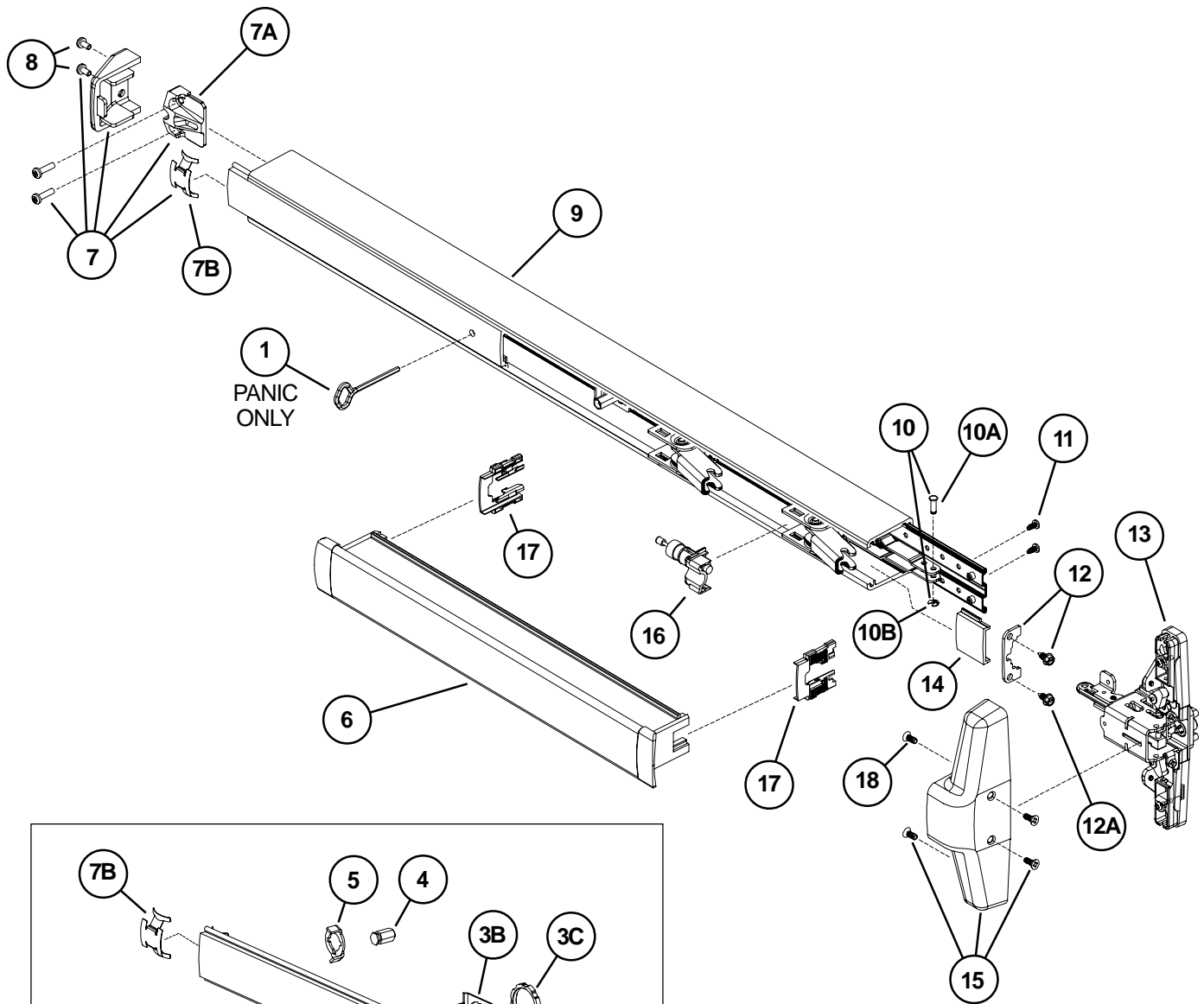
33/3547A STRIKES

33/3549A STRIKES

33/3550A STRIKES

<p>Screw Pkg 900285</p> <p>338 Strike (Top) Standard Panic or Fire Exit Hardware</p>	<p>385A Strike (Bottom) Panic or Fire Exit Hardware</p>	<p>24007411 349 Bottom Strike Kit Standard Panic or Fire Exit Hardware</p>	<p>Includes top latch mounting screws</p> <p>23945223 249 Top Strike Kit Standard Panic or Fire Exit Hardware</p>	<p>Includes shims and top latch mounting screws</p> <p>24665002 150 Top Strike Kit Standard Panic or Fire Exit Hardware</p>
<p>Screw 964191</p> <p>283 Strike (Top) Wood Frame</p>	<p>304L Strike (Bottom) Panic or Fire Exit Hardware</p>	<p>24230914 338 Strike Filler Plate (Top) used for 47 Series retrofit</p>	<p>47244841 WDC Strike Filler Plate (Top) used for 47 Series retrofit</p>	<p>Includes bottom latch mounting screws</p> <p>24664997 450 Bottom Strike Kit Standard Panic or Fire Exit Hardware</p>

33/3547A & 33/3549A PANIC DEVICE 33/3547A-F & 33/3549A-F FIRE DEVICE



**33/3547A & 33/3549A PANIC DEVICE
33/3547A-F & 33/3549A-F FIRE DEVICE**

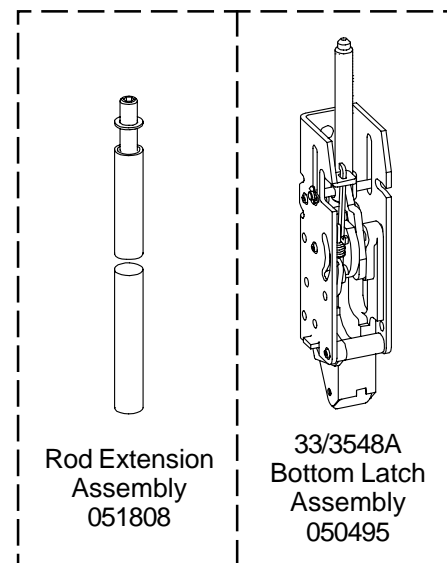
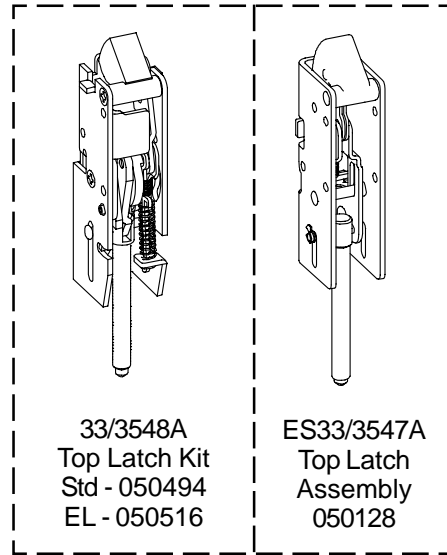
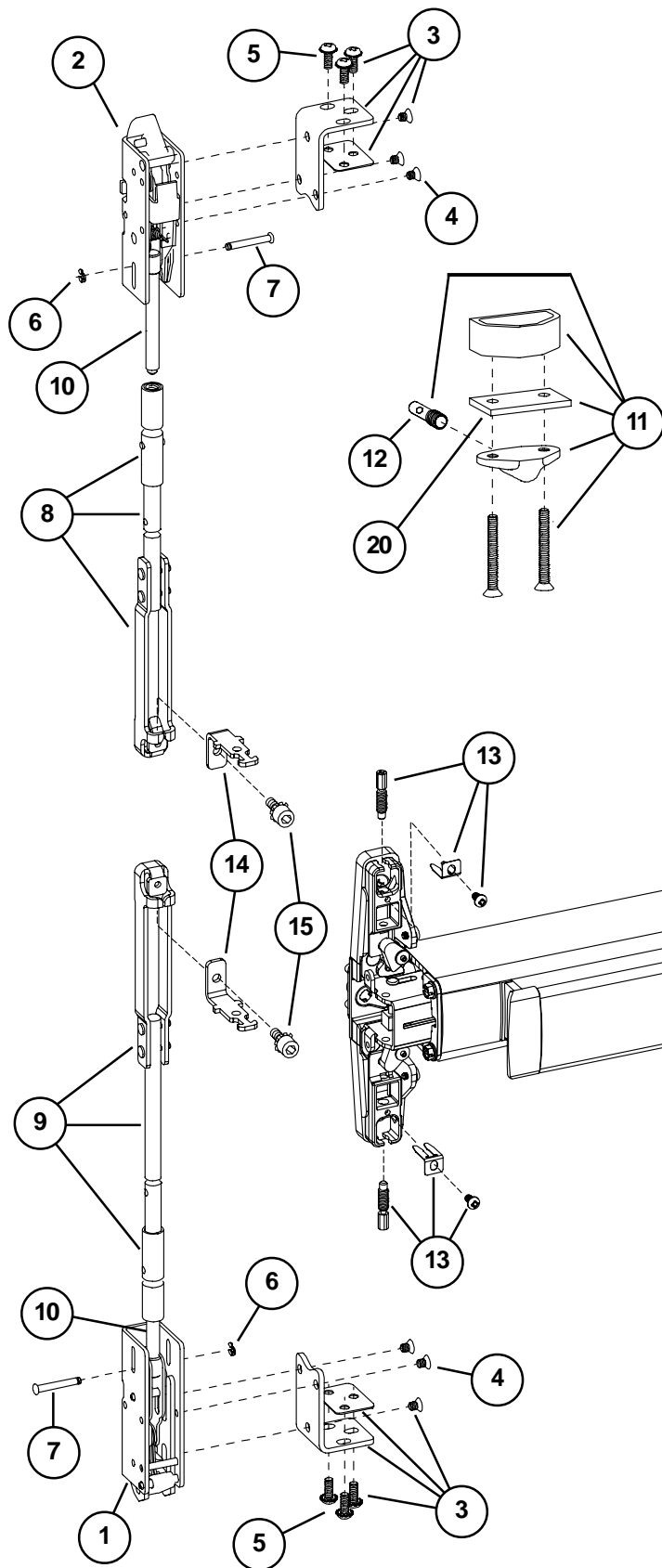
Item No.	Quantity	Part No.	Description	Finish
	1	900619	33A/35A Series Mounting Pkg. (1-3/4 & 2-1/4)	
1	1	090085	227 Dog Key 5/32" Hex (Pkg of 10)	
1	1	090005	227 Dog Key 5/32" Hex (Pkg of 2)	
2	1	090040	Hex Dog Shaft (Pkg of 2)	
3	1	107813	Cylinder Mounting Pkg	X
3A	1	050525	Cylinder Collar	X
3B	1	050490	Cylinder Locating Washer - CD/SS	
3C	1	050526	Cylinder Locknut	
4	1	090046	CD Dogging Plug (Pkg of 2)	
5	1	090045	CD Actuator Arm (Pkg of 2)	
6	1	*PBKIT	33A/35A Series Push Bar Retrofit Kit - 3' Door	X
6	1	*PBKIT	33A/35A Series Push Bar Retrofit Kit - 4' Door	X
7	1	050014	33A/35A Series End Cap Kit	X
7A	1	050524	Impact Resistant End Cap Bracket	
7B	1	090036	Cover Plate Anti-rattle Spring (Pkg of 10)	
8	1	900597	Device End Cap and C/Case Screw Pkg.	X
9	1	050486	33A Series Mechanism Case - 3' Door	X
9	1	050487	33A Series Mechanism Case - 4' Door	X
9	1	050488	35A Series Mechanism Case - 3' Door	X
9	1	050489	35A Series Mechanism Case - 4' Door	X
10	1	050529	33A/35A Series Control Link Pin & Ret. Ring	
10A	1	090031	Control Link Pin (Pkg of 10)	
10B	1	090107	Retaining Ring (Pkg of 10)	
11	2	090037	#8-32 x 3/8" Baseplate Screw (Pkg of 10)	
12	1	050530	Mechanism Case Bracket Kit	
12A	2	090073	Mechanism Case Bracket Screw (Pkg of 10)	
13**	1	050405	33/3547A & 33/3549A C/Case Less Cover	
14	1	050474	33A Series Cover Plate - Center Case Side	X
14	1	050475	35A Series Cover Plate - Center Case Side	X
15	1	050485	33/3547A & 33/3549A C/Case Cover Kit	X
16	1	050491	Shock Absorber & Holder Assembly	
17	2	090049	Push Bar Guide (Pkg of 10)	
18	4	900892	Center Case Cover Screws (Pkg of 4)	X

X in "Finish" column designates finished items; finish must be specified when ordering.

* To order, specify device type, size, and finish. Example PBKIT 33A 3' US28

** Device mounting screws 900619 included

33/3547A PANIC VERTICAL RODS AND LATCHES



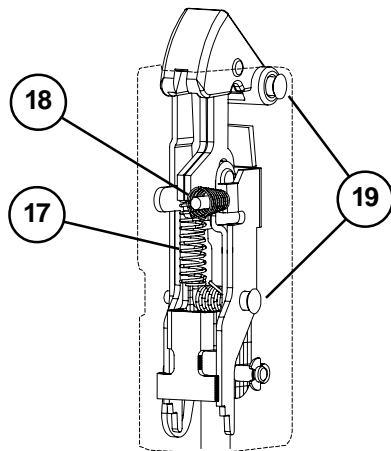
33/3547A PANIC VERTICAL RODS AND LATCHES

Item No.	Quantity	Part No.	Description	Finish
*	1	050047	33/3548A Latch Retrofit Kit (non EL)	
*	1	050048	33/3548A-F Latch Retrofit Kit (non EL)	
*	1	050522	EL33/3548A Latch Retrofit Kit	
*	1	050523	EL33/3548A-F Latch Retrofit Kit	
1**	1	050493	33/3547A Bottom Latch Kit	
2**	1	050492	33/3547A Top Latch Kit	
3	2	109324	33/3547A Latch Mtg Bracket Kit	
3	2	112868	33/3548A Latch Mtg Bracket Kit	
4	6	090059	Latch Bracket Mtg Screw (Latch)	
5	6	090061	Latch Bracket Mtg Screw (Metal Door)	
5	6	900856	Latch Bracket Mtg Screw (Wood Door)	
6	2	090063	Retaining Ring (Pkg of 10)	
7	2	090064	Latch Link Pin (Pkg of 10)	
8	1	050519	Adjustable Top Rod 6'8" - 8'4" Door	
9	1	050520	Adjustable Bottom Rod Kit	
10	2	090071	33/3547A Rod Connecting Screw	
10	2	090072	33/3548A Rod Connecting Screw	
11	1	106222	Ratchet Release Pkg	X
12	1	090070	Ratchet Release Screw	
13	2	900620	Rod Adjusting Pkg	
13	2	900898	33/3547A Adjusting Screw LBR Package	
14	2	969989	Rod Connector Extension Bracket	
15	2	972408	Rod Connector Screw	
16	1	090065	Bolt Return Spring	
17	1	090066	Top Latch Compression Spring (Pkg of 10)	
18	1	090069	Ratchet Lever Spring (Pkg of 2)	
19	1	090062	Btm Latch Case Spirol Pin (Pkg of 10)	
20	1	970978	33/3547A Ratchet Release Spacer 1/8"	

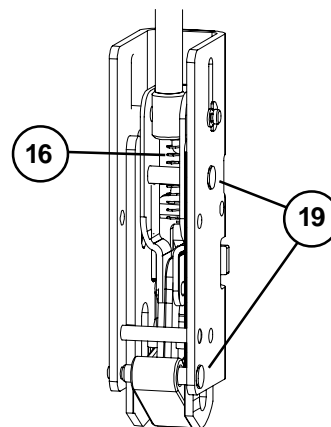
X in "Finish" column designates finished items; finish must be specified when ordering.

*Retrofit kit includes items 1-3 to convert 33/3547A to 33/3548A.

**Each latch kit (item 1-2) includes only one latch mtg bracket kit (item 3). For service replacement only. Refer to retrofit kits to convert 33/3547A to 33/3548A.

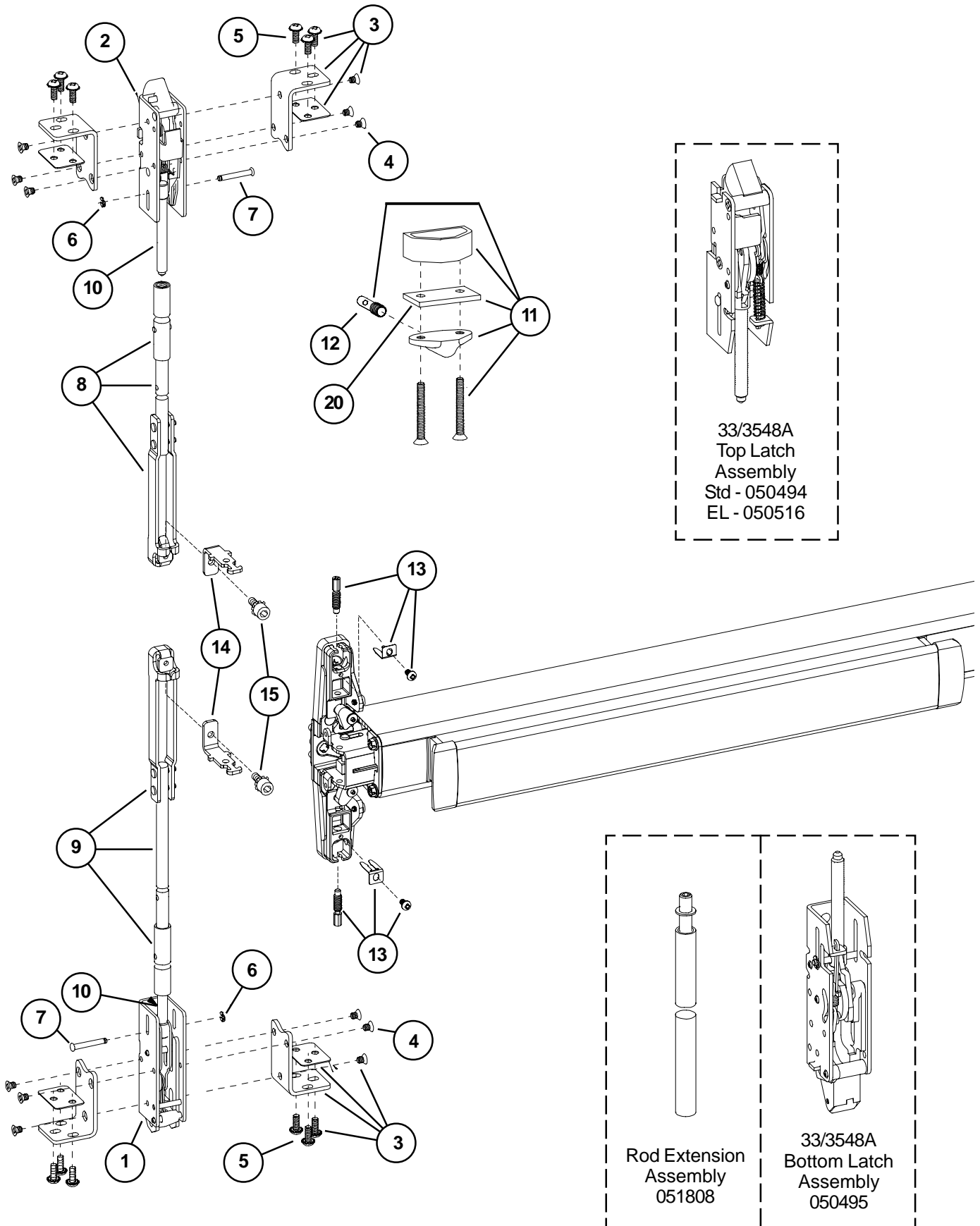


33/3547A Top Latch



33/3547A Bottom Latch

33/3547A-F FIRE VERTICAL RODS AND LATCHES



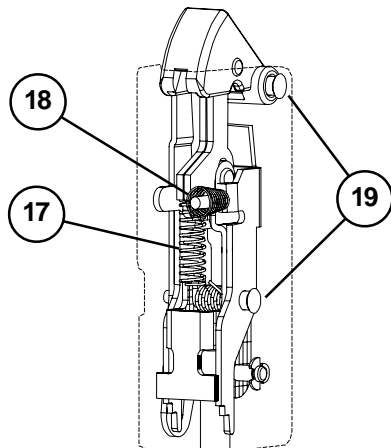
33/3547A-F FIRE VERTICAL RODS AND LATCHES

Item No.	Quantity	Part No.	Description	Finish
*	1	050047	33/3548A Latch Retrofit Kit-(non EL)	
*	1	050048	33/3548A-F Latch Retrofit Kit-(non EL)	
*	1	050522	EL33/3548A Latch Retrofit Kit	
*	1	050523	EL33/3548A-F Latch Retrofit Kit	
1**	1	050493	33/3547A Bottom Latch Kit	
2**	1	050492	33/3547A Top Latch Kit	
3	2	109324	33/3547A Latch Mtg Bracket Kit	
3	2	112868	33/3548A Latch Mtg Bracket Kit	
4	6	090059	Latch Bracket Mtg Screw (Latch)	
5	6	090061	Latch Bracket Mtg Screw (Metal Door)	
5	6	900856	Latch Bracket Mtg Screw (Wood Door)	
6	2	090063	Retaining Ring (Pkg of 10)	
7	2	090064	Latch Link Pin (Pkg of 10)	
8	1	050519	Adjustable Top Rod 6'8" - 8'4" Door	
9	1	050520	Adjustable Bottom Rod Kit	
10	2	090071	33/3547A Rod Connecting Screw	
10	2	090072	33/3548A Rod Connecting Screw	
11	1	106222	Ratchet Release Pkg	X
12	1	090070	Ratchet Release Screw	
13	2	900620	Rod Adjusting Pkg	
13	2	900898	33/3547A Adjusting Screw LBR Package	
14	2	969989	Rod Connector Extension Bracket	
15	2	972408	Rod Connector Screw	
16	1	090065	Bolt Return Spring	
17	1	090066	Top Latch Compression Spring (Pkg of 10)	
18	1	090069	Ratchet Lever Spring (Pkg of 2)	
19	4	090062	Btm Latch Case Spirol Pin (Pkg of 10)	
20	1	970978	33/3547A Ratchet Release Spacer	

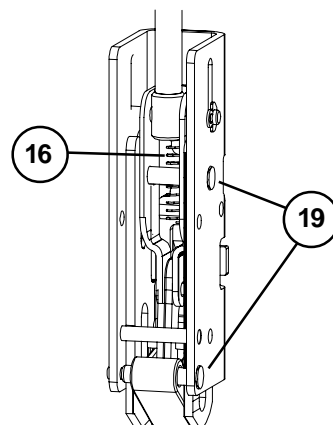
X in "Finish" column designates finished items; finish must be specified when ordering.

*Retrofit kit includes items 1-3 to convert 33/3547A to 33/3548A.

**Each latch kit (item 1-2) includes only one latch mtg bracket kit (item 3). For service replacement only. Refer to retrofit kits to convert 33/3547A to 33/3548A.

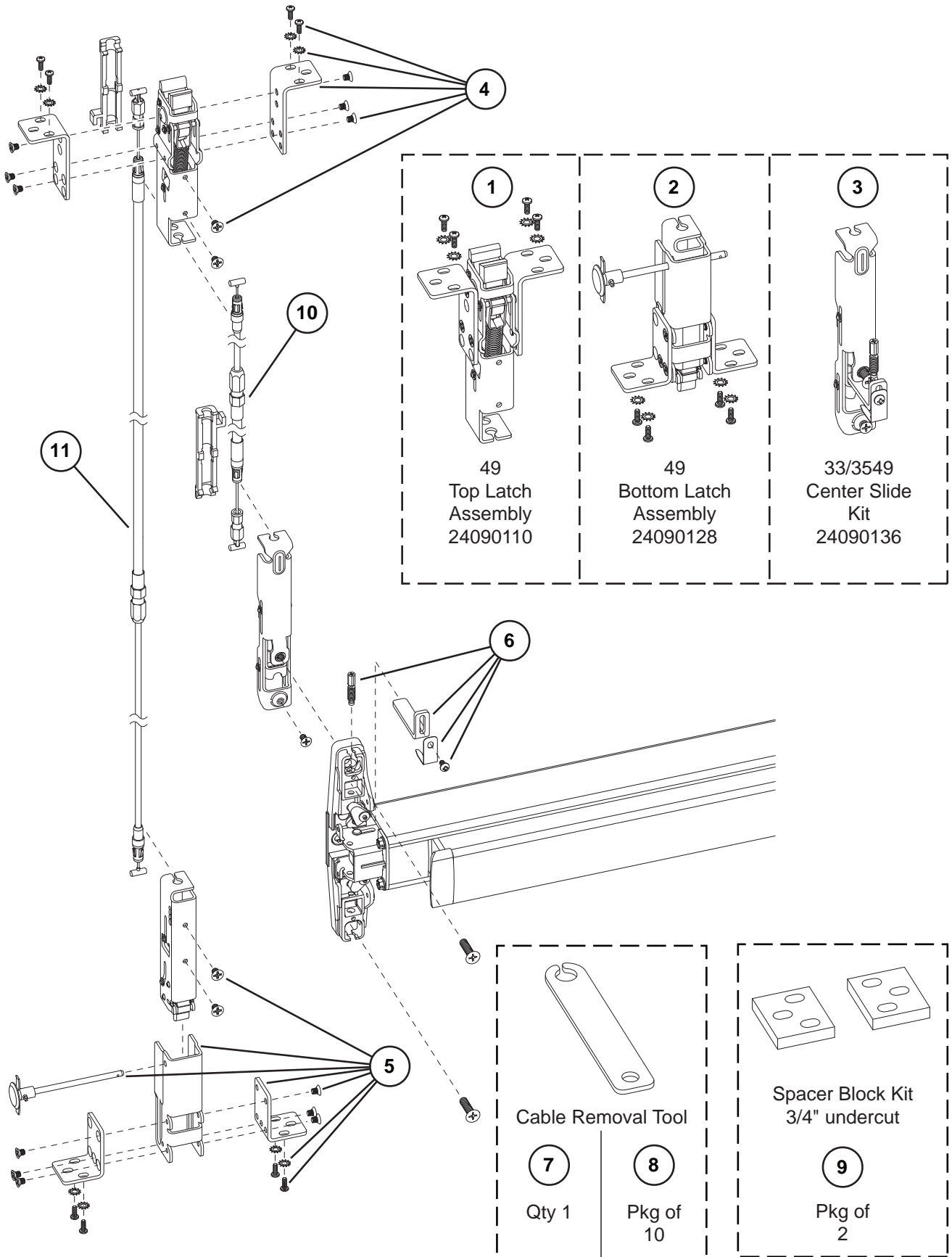


33/3547A Top Latch



33/3547A Bottom Latch

33/3549A & 33/3549-F VERTICAL CABLES AND LATCHES (ALUMINUM AND METAL DOOR)



33/3549A & 33/3549A-F

VERTICAL CABLES AND LATCHES (ALUMINUM AND METAL DOOR)

Item No.	Quantity	Part No.	Description	Finish
1 *	1	24090110	49 Top Latch Assembly	
2	1	24090128	49 Bottom Latch Assembly	
3	1	24090136	33/3549 Center Slide Kit (Aluminum and Metal Door)	
4 *	1	23946429	49 Top Mounting Pkg	
5	1	23946437	49 Bottom Mounting Pkg	
6	1	23946460	33/3549A HM/AL Center Slide Mounting Pkg	
7	1	24052979	Cable Removal Tool	
8	10	24090706	Cable Removal Tool (Pkg of 10)	
9	2	24231516	Spacer Block Kit - 3/4" undercut (Pkg of 2)	

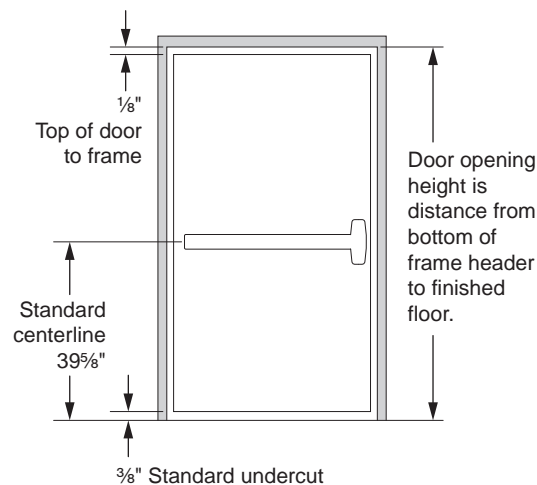
*A cable removal tool is included with the assembly/package.

Each latch assembly includes two latch mounting brackets.

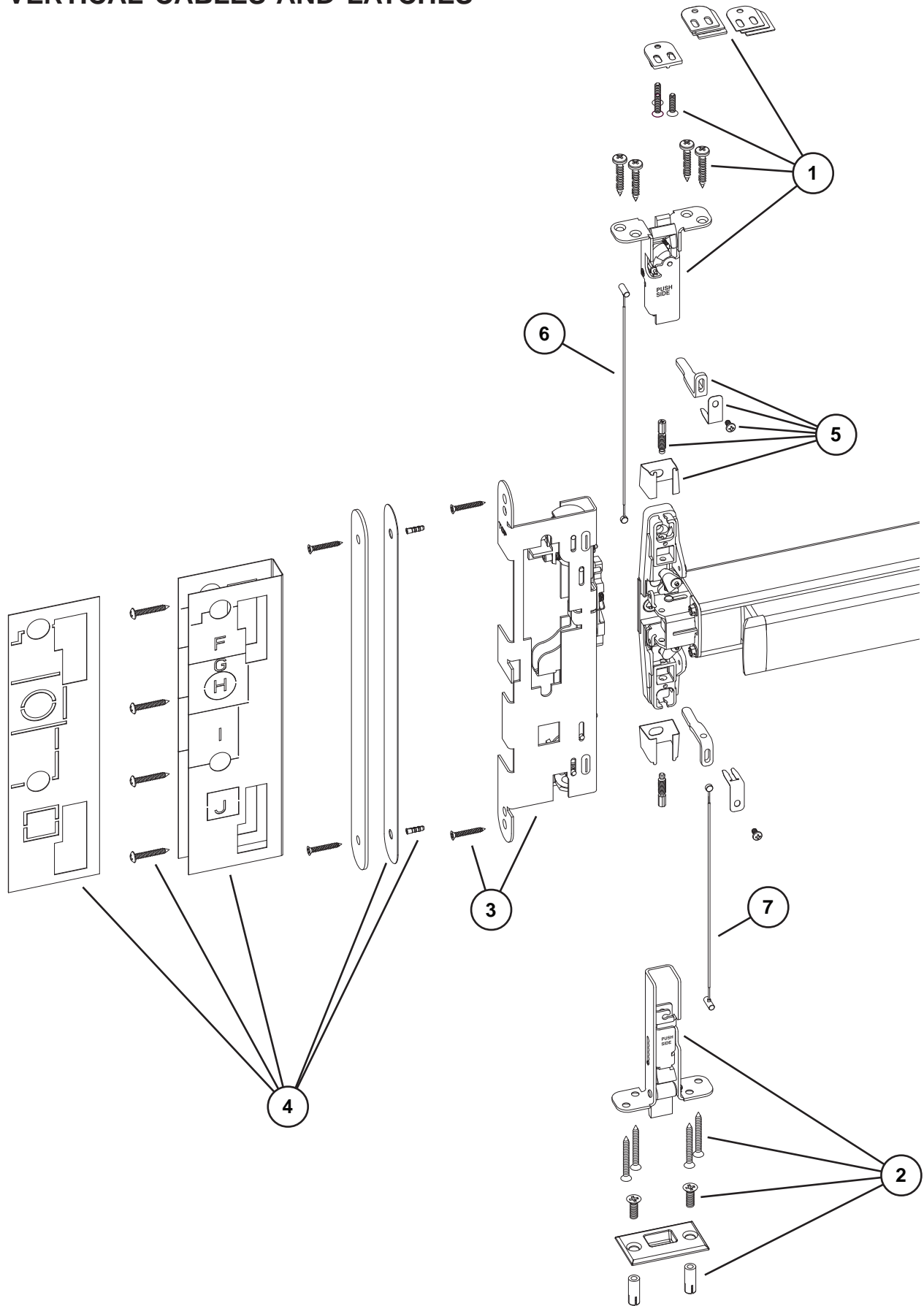
STANDARD SIZE CABLES

Item No.	Quantity	Part No.	Description / Door Opening Height *	Finish
10	1	47250175	Top Cable (6' 10" - 8' 0")	
10	1	47250176	Top Cable (8' 0" - 9' 2")	
10	1	47250177	Top Cable (9' 2" - 10' 4")	
11	1	47250178	Bottom Cable (6' 10" - 8' 0")	
11	1	47250179	Bottom Cable (8' 0" - 9' 2")	
11	1	47250180	Bottom Cable (9' 2" - 10' 4")	

*Based on standard centerline of 39 $\frac{5}{8}$ " from finished floor



33/3550AWDC & 33/3550AWDC-F (WOOD DOOR CONCEALED) VERTICAL CABLES AND LATCHES

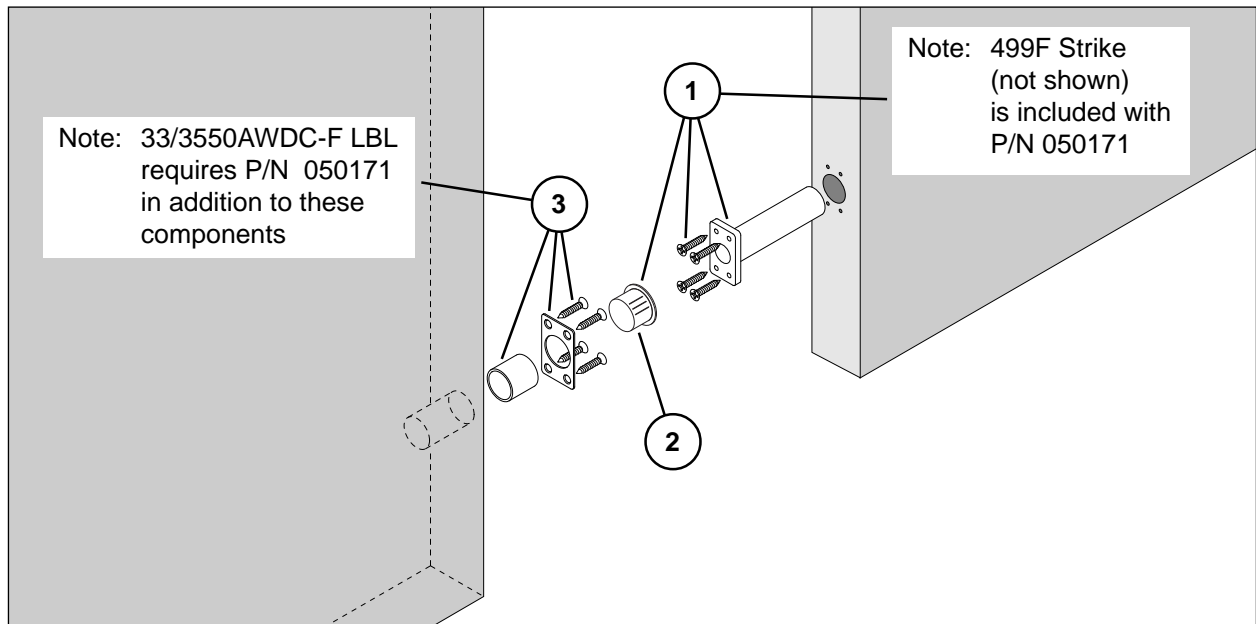


**33/3550AWDC & 33/3550AWDC-F (WOOD DOOR CONCEALED)
VERTICAL CABLES AND LATCHES**

Item No.	Quantity	Part No.	Description	Finish
1	1	48968820	50WDC Top Latch Kit	
2	1	48968838	50WDC Bottom Latch Kit	
3	1	48973309	33/3550AWDC Center Slide Kit	
4	1	48968879	33/3550AWDC-F Fire Kit	
5	1	24685562	33/3550AWDC Lift Finger Kit	
6	1	24648180	Top Cable 6'8"-7'0" WDC	
6	1	24647273	Top Cable 7'1"-8'0" WDC	
6	1	24647281	Top Cable 8'1"-9'0" WDC	
6	1	24647299	Top Cable 9'1"-10'0" WDC	
7	1	24647265	Bottom Cable WDC	

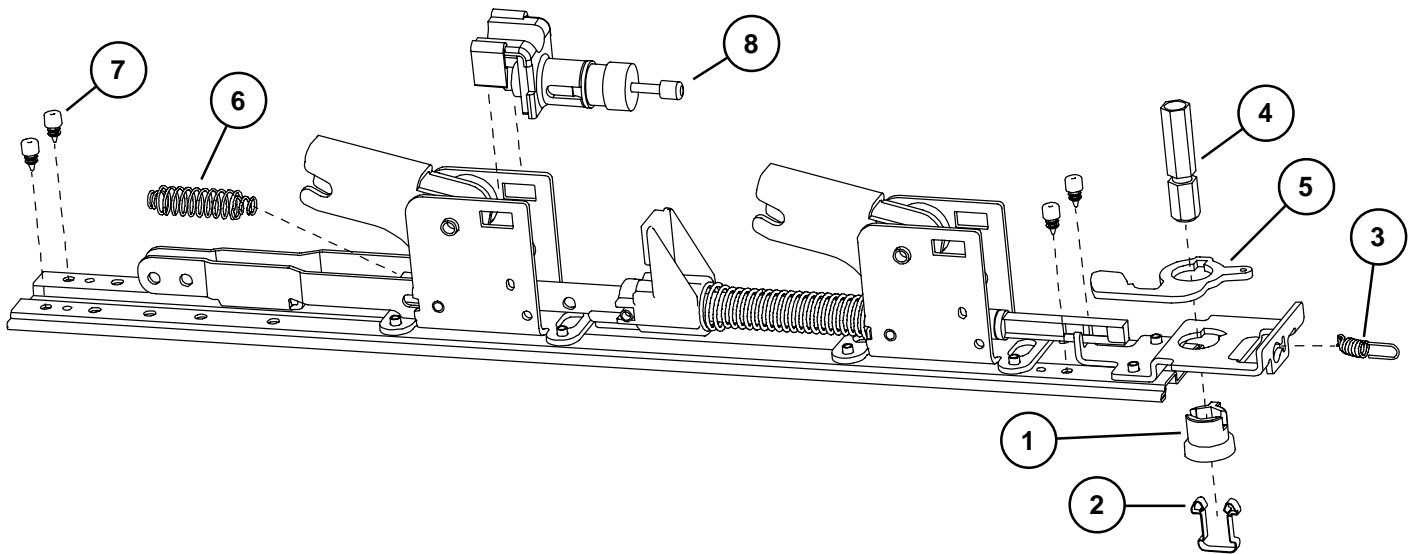
33/3547-F LBR (LESS BOTTOM ROD)
33/3549-F LBL (LESS BOTTOM LATCH)
33/3550AWDC-F LBL (LESS BOTTOM LATCH)
FIRE LATCH KIT

Item No.	Quantity	Part No.	Description	Finish
1	1	050171	LBR/LBL Fire Latch/Strike Kit	
2	1	050509	LBR/LBL Fire Strike Plug	
3	1	48968887	50WDC Fire Pin Kit	



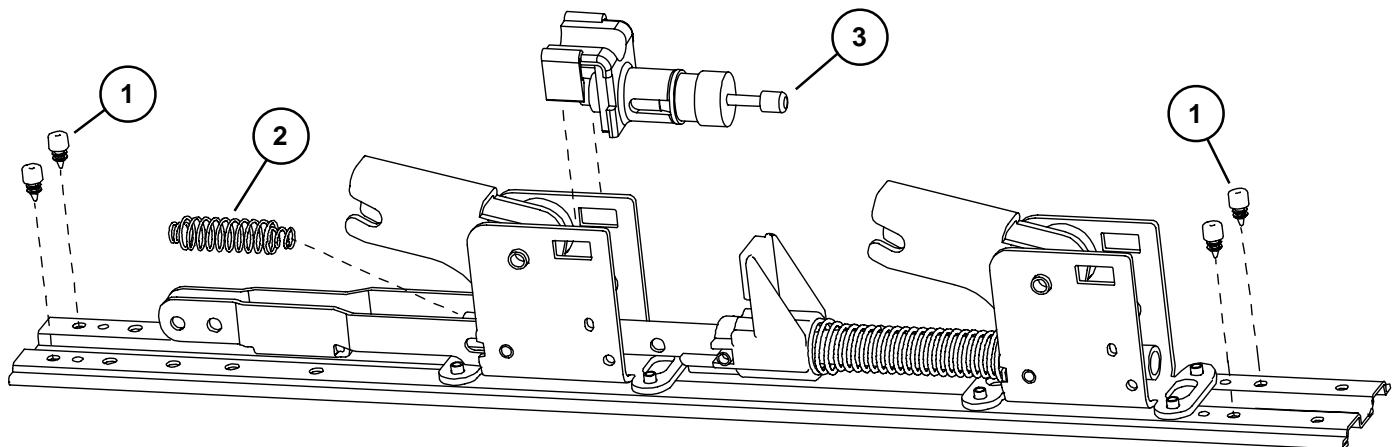
33/3547A, 33/3549A, & 33/3550A PANIC DEVICE BASEPLATE ASSEMBLY

Item No.	Quantity	Part No.	Description	Finish
1	1	090043	Dogging adapter (Pkg of 2)	
2	1	090042	Dogging adapter spring (Pkg of 2)	
3	1	090041	Dogging spring (Pkg of 2)	
4	1	090040	Hex dogging shaft (Pkg of 2)	
5	1	090044	Dogging hook (Pkg of 2)	
6	1	090039	Latch return spring (Pkg of 10)	
7	4	090038	Rubber bumper (Pkg of 4)	
8	1	050491	Shock absorber	



33/3547A-F, 33/3549A-F, & 33/3550A-F FIRE DEVICE BASEPLATE ASSEMBLY

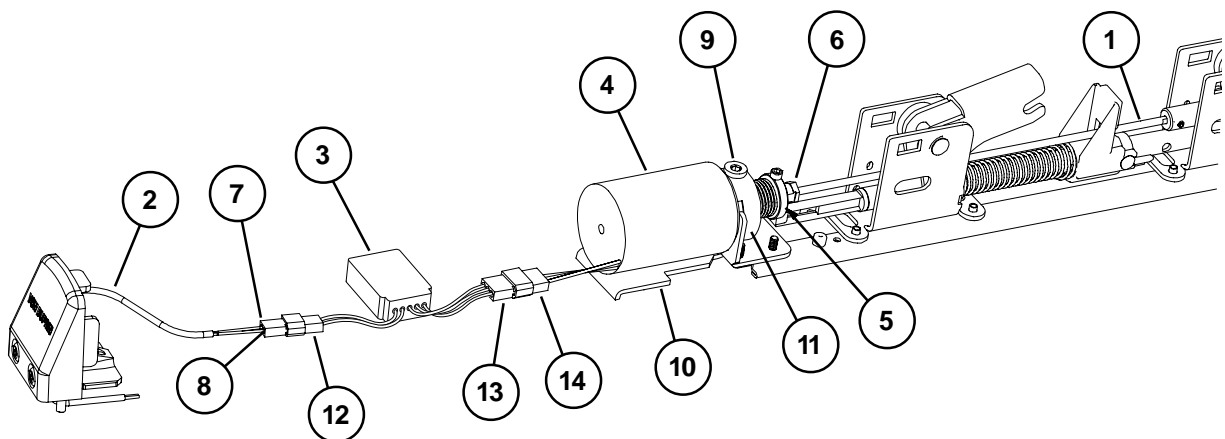
Item No.	Quantity	Part No.	Description	Finish
1	4	090038	Rubber bumper (Pkg of 4)	
2	1	090039	Latch return spring (Pkg of 10)	
3	1	050491	Shock absorber	



**HD-EL3347A/HD-EL3547A, HD-EL3349A/HD-EL3549A, &
 HD-EL3350A/HD-EL3550A
 HEX DOGGING/ELECTRIC LATCH
 RETRACTION OPTION - PANIC DEVICE ONLY**

Item No.	Quantity	Part No.	Description	Finish
1	1	050531	EL Dogging Rod Kit - 3' device	
1	1	050532	EL Dogging Rod Kit - 4' device	
2	1	110388	EL 6' Cable and Connector	
3	1	050534	EL Potted Module	
4	1	050536	HD-EL Solenoid	
5	1	050537	HD-EL Solenoid Plunger	
6	1	050538	EL Dogging Rod Retainer	
7	1	050539	EL Receptacle Connector - 2 Position	
8	2	050540	EL Female Terminal	
9	1	050541	HD-EL Dog Screw	
10	1	050542	HD-EL Solenoid Bracket	
11	1	050543	HD-EL Dogging Spring	
12	1	990599	EL Plug Connector - 2 Position	
13	1	990857	EL Receptacle Connector - 3 Position	
14	1	990858	EL Plug Connector - 3 Position	
*	1	050384	HD-EL Conversion Kit - 3'	
*	1	050385	HD-EL Conversion Kit - 4'	

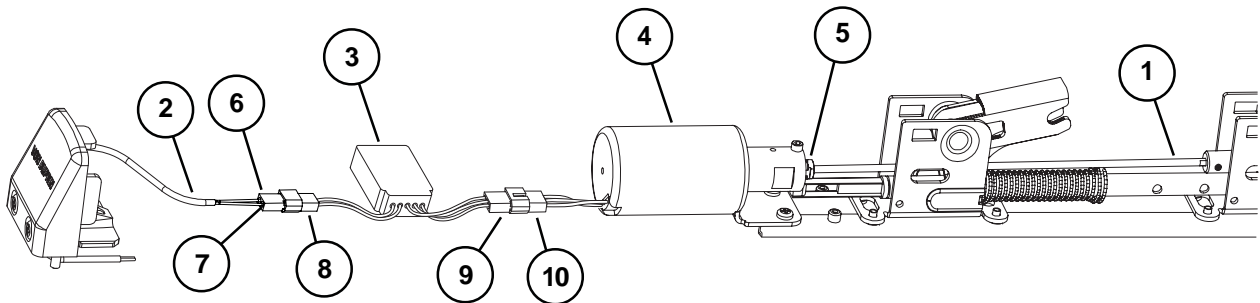
*Kit includes items 1-11 plus new control link, retaining ring, and baseplate screws.



EL3347A/EL3547A, EL3349A/EL3549A, & EL3350A/EL3550A ELECTRIC LATCH RETRACTION OPTION

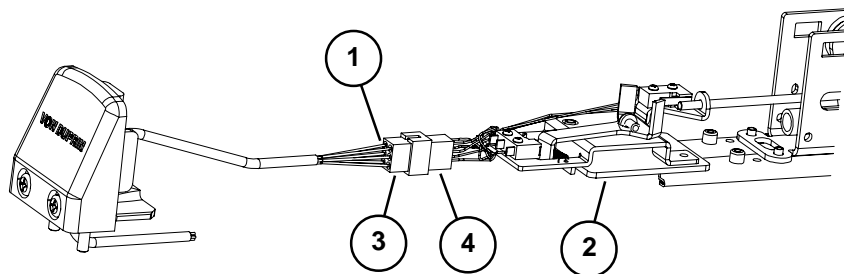
Item No.	Quantity	Part No.	Description	Finish
1	1	050531	EL Dogging Rod Kit - 3' device	
1	1	050532	EL Dogging Rod Kit - 4' device	
2	1	110388	EL 6' Cable and Connector	
3	1	050534	EL Potted Module	
4	1	050535	EL Solenoid Assembly	
5	1	050538	EL Dogging Rod Retainer	
6	1	050539	EL Receptacle Connector	
7	2	050540	EL Female Terminal	
8	1	990599	EL Plug Connector - 2 Position	
9	1	990857	EL Receptacle Connector - 3 Position	
10	1	990858	EL Plug Connector - 3 Position	
*	1	050070	EL Conversion Kit - 3'	
*	1	050078	EL Conversion Kit - 4'	

*Kit includes items 1-7 plus new control link pin, retaining ring, and baseplate screws.

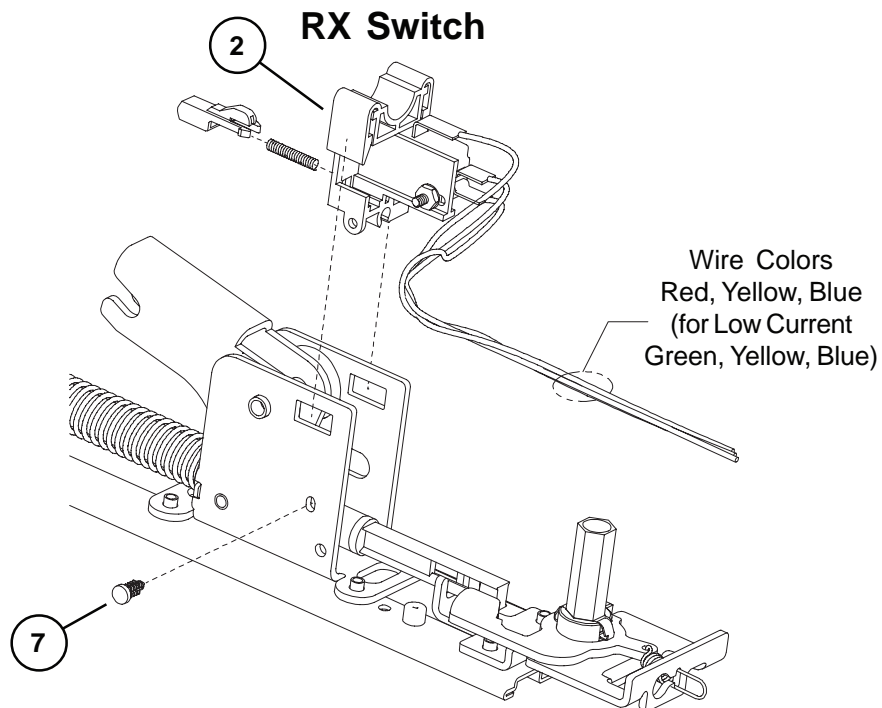
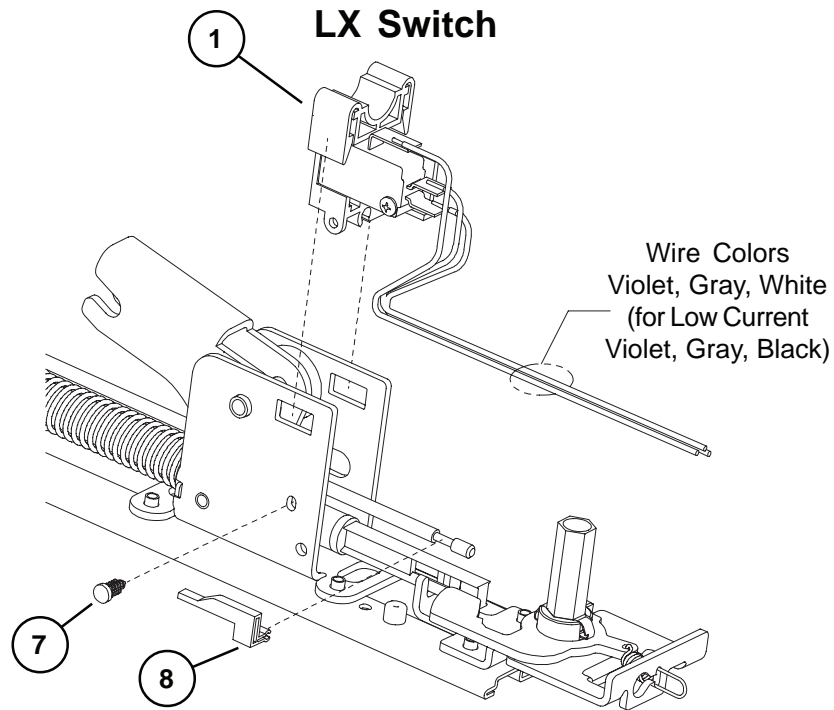


SS3347A/SS3547A, SS3349A/SS3549A, & SS3350A/SS3550A SERIES SIGNAL SWITCH OPTION

Item No.	Quantity	Part No.	Description	Finish
1	1	050544	SS Cable	
2	1	050545	SS Housing	
3	1	990601	SS Plug Connector - 6 Position	
4	1	990602	SS Receptacle Connector - 6 Position	

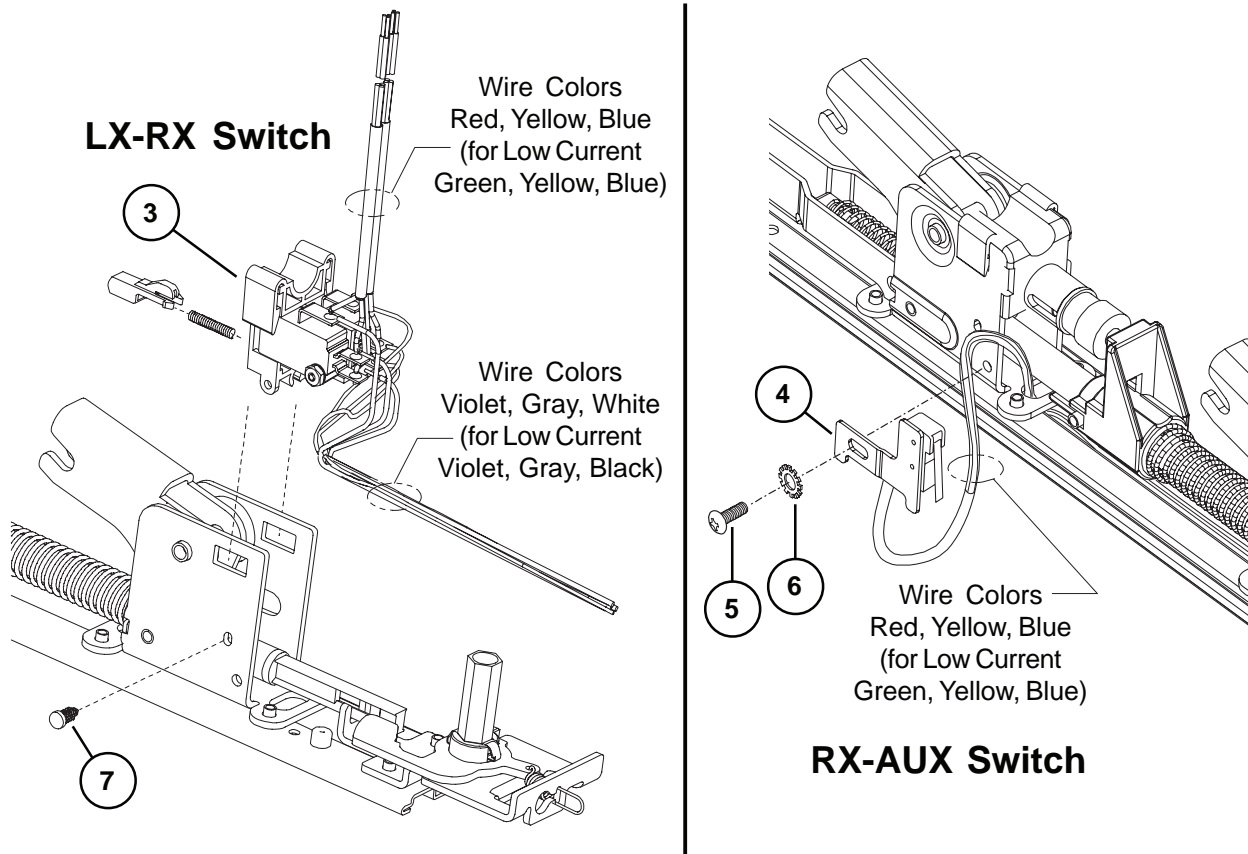


33/3547A, 33/3549A, & 33/3550 LX (LATCH BOLT MONITOR) & RX (REQUEST TO EXIT) OPTIONS



33/3547A, 33/3549A, & 33/3550A LX (LATCH BOLT MONITOR) & RX (REQUEST TO EXIT) OPTIONS

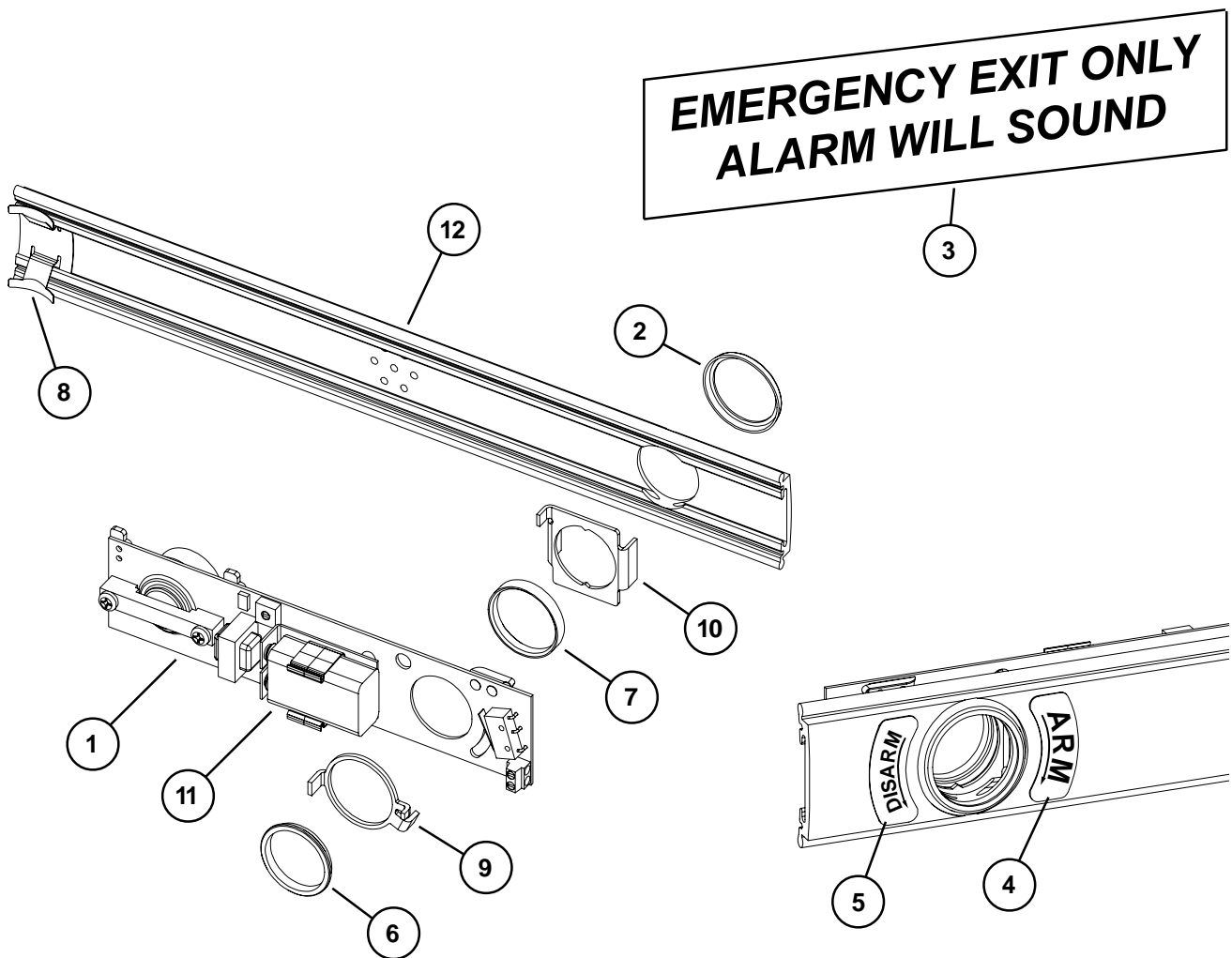
Item No.	Quantity	Part No.	Description	Finish
1	1	050254	LX Switch Kit 3' Device	
1	1	050255	LX Switch Kit 4' Device	
1	1	050247	LX-EL Switch Kit	
1	1	050283	LX-LC (Low Current) Switch Kit 3' Device	
1	1	050285	LX-LC (Low Current) Switch Kit 4' Device	
1	1	050287	LX-LC-EL (Low Current) Switch Kit	
2	1	050251	RX Switch Kit	
2	1	050281	RX-LC (Low Current) Switch Kit	
3	1	050256	LX-RX Switch Kit 3' Device	
3	1	050257	LX-RX Switch Kit 4' Device	
3	1	050259	LX-RX-EL Switch Kit	
3	1	050289	LX-RX-LC (Low Current) Sw. Kit 3' Device	
3	1	050291	LX-RX-LC (Low Current) Sw. Kit 4' Device	
3	1	050293	LX-RX-LC-EL (Low Current) Switch Kit	
2 & 4	1	050270	RX-2 Switch Kit	
4	1	050271	RX-AUX Switch Kit	
5	1	964558	8-32 x 5/16" PPHMS	
6	1	964019	#8 Washer	
7	1	090099	Pine Tree Clip (Pkg of 10)	
8	1	971091	LX Actuator	



33/3547A, 33/3549A, & 33/3550A ALK EXIT ALARM KIT

Item No.	Quantity	Part No.	Description	Finish
1	1	111795	ALK PCB Assembly	
2	1	050525	Cylinder Collar	X
3	1	969122	ALK Alarm Device Sign	
4	1	969349	ALK Arming Label	
5	1	969350	ALK Disarming Label	
6	1	969354	Retainer Nut	
7	1	970594	ALK Cylinder Spacer	
8	1	090036	Cover Plate Anti-rattle spring (Pkg of 10)	
9	1	971556	ALK Switch Actuator	
10	1	971557	ALK Cylinder Bracket	
11	1	990637	ALK Battery	
12	1	050406	33A Series ALK Cover Plate Kit	X
12	1	050407	35A Series ALK Cover Plate Kit	X

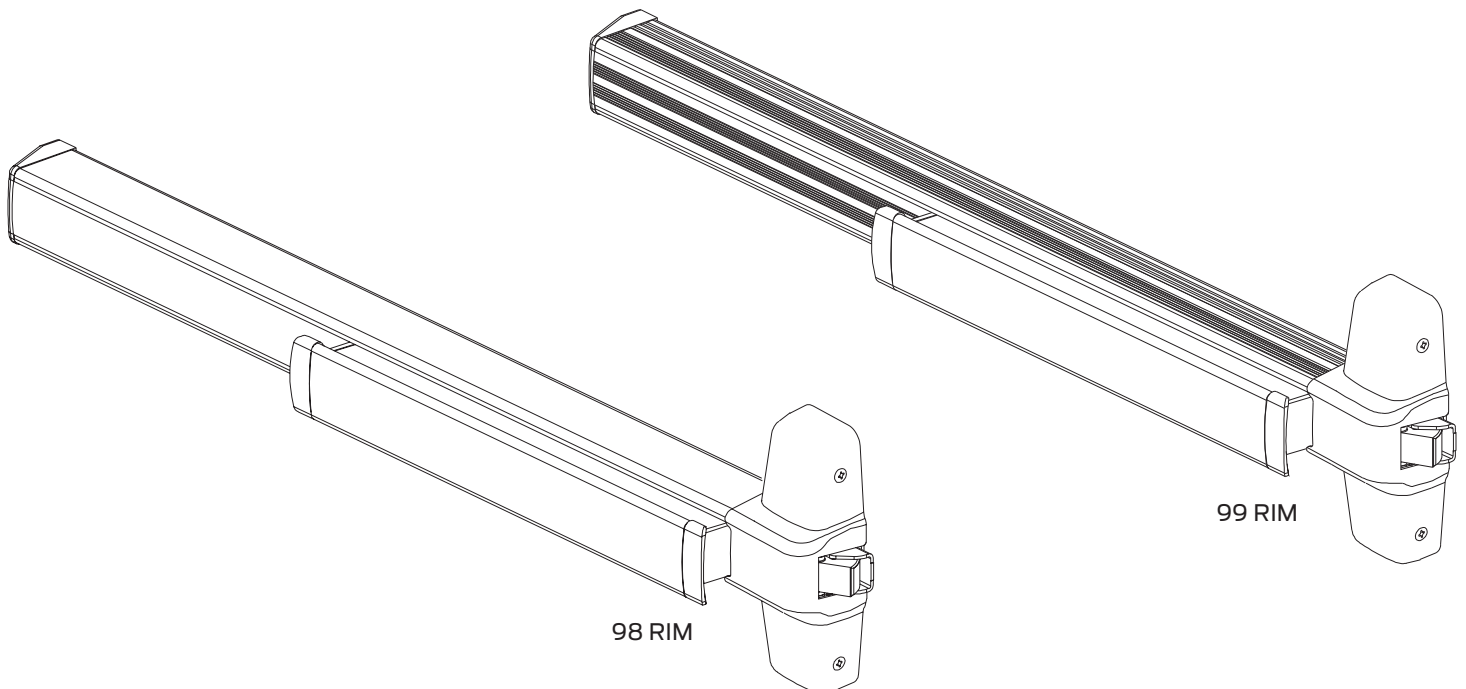
X in "Finish" column designates finished items; finish must be specified when ordering.



VON DUPRIN®

98/99 Series Rim Exit Devices

Service manual



INDEX

98/99 Rim Devices	
Basic Panic Device	4-5
Basic Fire Device	6-7
Baseplate Assemblies	8
Center Case Assembly	9
Variations of the Basic Device	
CD (Cylinder Dogging)	4-5
98/99-2 (Double Cylinder)	10
E98/99 (Electric Locking)	11
HD-EL (Hex Dogging/Electric Latch Retraction)	12
EL (Electric Latch Retraction)	13
SS (Signal Switch)	13
RX (Request to Exit)	14-15
LX (Latch Bolt Monitoring)	14-15
CX (Chexit Discontinued)	16
CX (Chexit New)	17
CX (Chexit New RCM/DE5300 Option)	18
CX-CD/SD (Chexit/Special Dogging)	19
ALK (Exit Alarm Kit)	20
Service Replacement Items	21-22
General Information	
Introduction	2
How to Order	2
Part Number Changes	2
Finishes	3
Outside Trim Functions	3
Strikes	3

INTRODUCTION

This manual contains a listing of replaceable parts and assemblies for the 98/99 Rim Exit Hardware Devices. 98 Series and 99 Series devices are almost identical. The 99 Series has a grooved case; the 98 Series has a smooth case.

HOW TO ORDER

Some parts are sold separately. Other items are available as part of a kit or multiple quantity package. For the best possible service when ordering replacement parts or assemblies, please provide the following information:

- Part number or assembly number
- Description
- Quantity needed
- Finish desired (if available finished)
- Date of original purchase (if known)

To find out the name of your local Von Duprin distributor or sales representative, contact:

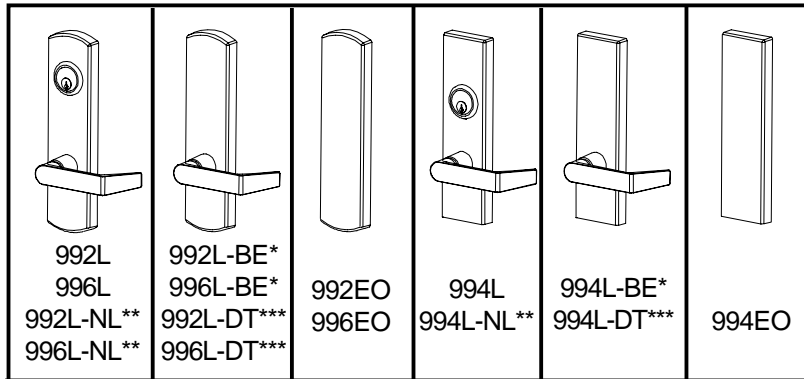
Von Duprin Division
Allegion
2720 Tobey Drive
Indianapolis, IN 46219
Phone: 877-671-7011

PART NUMBER AND AVAILABILITY CHANGES

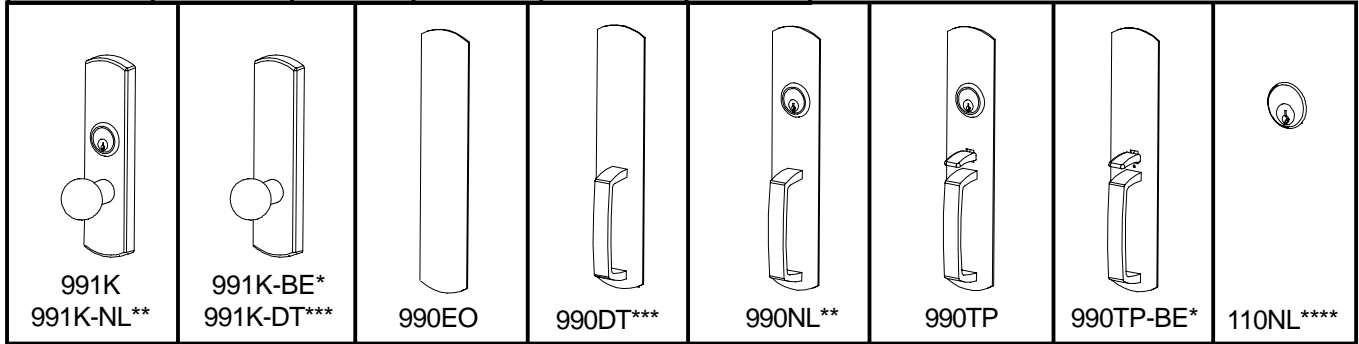
This manual was designed to help illustrate the replacement parts and kits that are available for sale. Because of changes to the product and/or manufacturing process, part numbers and availability can change over time.

98/99 SERIES FINISHES

OUTSIDE TRIM FUNCTIONS



U.S. Std Reference	BHMA Reference	Description
US3	605	Polished Brass
US4	606	Dull Brass
US10	612	Dull Bronze
US15	619	Satin Nickel
US26	625	Polished Chrome
US26D	626	Dull Chrome
US28	628	Anodized Alum. (Clear)
US32D	630	Satin Stainless Steel
313AN	710	Anodized Alum. (313) Dark Bronze
315AN	711	Anodized Alum. (Black)



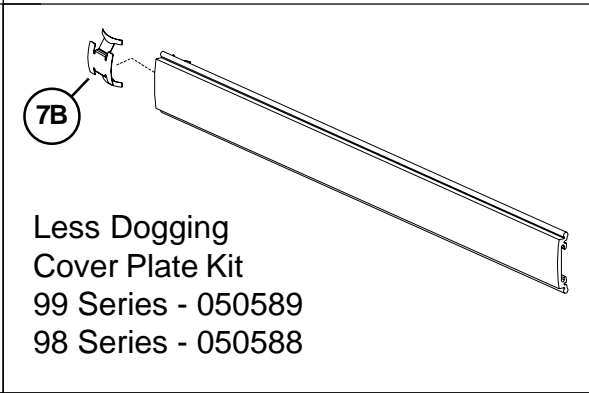
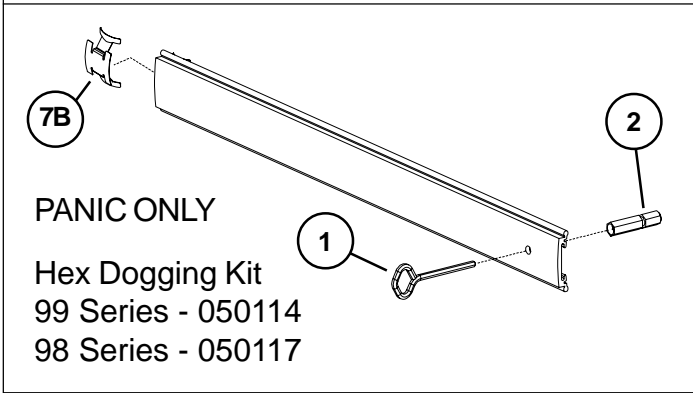
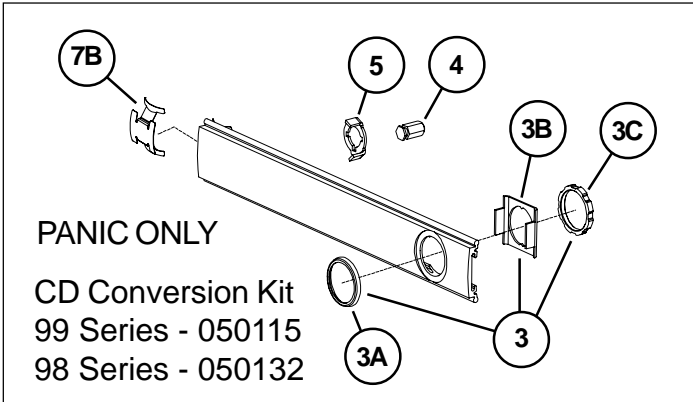
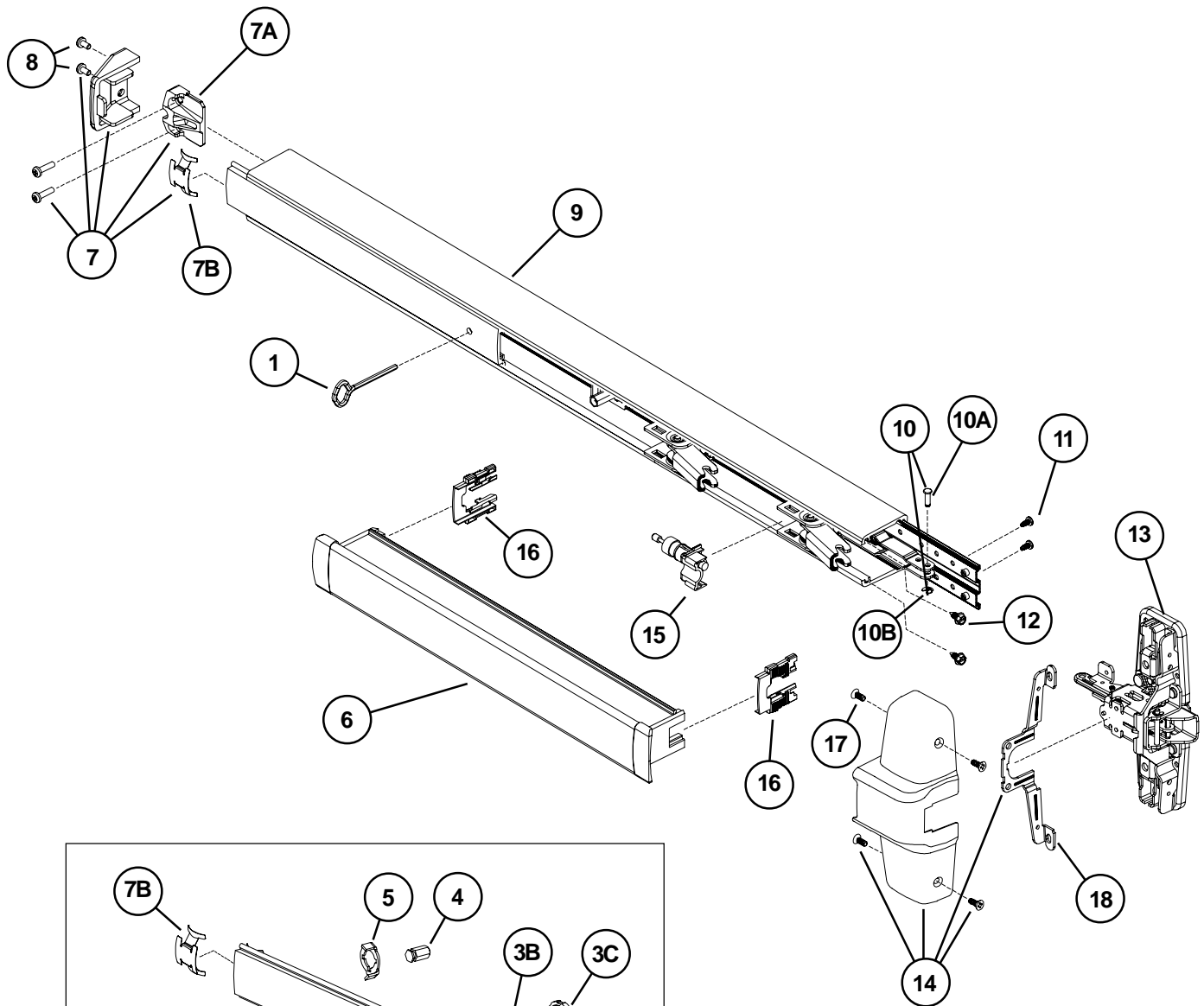
- * "BE" (Blank Escutcheon) no cylinder used - lever always active
- ** "NL" (Night Latch) rigid lever - key retracts latch bolt
- *** "DT" (Dummy Trim) rigid lever for pull operation
- **** Optional Pull needs to be added

- ① Metal Door Screw Package PKGSRV.1023 (Pkg of 10)
- ① Wood Door Screw 964291 (Qty of 1)

STRIKES

<p>299 Strike - Standard Single or Double Door Panic Exit Hardware</p>	<p>299F Strike - Single Door Fire Exit Hardware</p>	<p>264 Strike - Single Door Panic Exit Hardware</p>	<p>499F Strike - Double Door w/Mullion Fire Exit Hardware</p>	<p>1609 Strike - Double Door Rim/Vertical Rod Combination (Consult Factory)</p>
<p>1410 Strike - Single Door Integral Stop Panic Exit Hardware</p>	<p>1606 Strike - Single or Double Door Panic Exit Hardware</p>	<p>1439 Strike - Single door Panic Exit Hardware</p>	<p>1408 Strike - Double Door Used on 5754 Mullions Panic Exit Hardware</p>	

98/99 RIM PANIC DEVICE



98/99 RIM PANIC DEVICE

Item No.	Quantity	Part No.	Description	Finish
	1	900561	98/99 Series Mounting Pkg. (1-3/4 & 2-1/4)	
1	1	090085	227 Dog Key 5/32" Hex (Pkg of 10)	
1	1	090005	227 Dog Key 5/32" Hex (Pkg of 2)	
2	1	090040	Hex Dog Shaft (Pkg of 2)	
3	1	107813	Cylinder Mounting Pkg	X
3A	1	050525	Cylinder Collar	X
3B	1	050490	Cylinder Locating Washer - CD/SS	
3C	1	050526	Cylinder Locknut	
4	1	090046	CD Dogging Plug (Pkg of 2)	
5	1	090045	CD Actuator Arm (Pkg of 2)	
6	1	*PBKIT	98/99 Series Push Bar Retrofit Kit - 3' Door	X
6	1	*PBKIT	98/99 Series Push Bar Retrofit Kit - 4' Door	X
7	1	050014	98/99 Series End Cap Kit	X
7A	1	050524	Impact Resistant End Cap Bracket	
7B	1	090036	Cover Plate Anti-rattle Spring (Pkg of 10)	
8	1	900597	Device End Cap and C/Case Screw Pkg.	X
9	1	968144	99 Series Mechanism Case - 3' Door	X
9	1	968146	99 Series Mechanism Case - 4' Door	X
9	1	970191	98 Series Mechanism Case - 3' Door	X
9	1	970192	98 Series Mechanism Case - 4' Door	X
10	1	050529	98/99 Series Control Link Pin & Ret. Ring	
10A	1	090031	98/99 Series Control Link Pin (Pkg of 10)	
10B	1	090107	Retaining Ring (Pkg of 10)	
11	2	090037	#8-32 x 3/8" Baseplate Screw (Pkg of 10)	
12	2	090073	Mechanism Case Bracket Screw (Pkg of 10)	
13***	1	050020	98/99 Rim Center Case Less Cover	
14**	1	050071	98/99 Rim Center Case Cover Kit	X
15	1	050491	Shock Absorber & Holder Assembly	
16	2	090049	Push Bar Guide (Pkg of 10)	
17	4	900892	Center Case Cover Screws (Pkg of 4)	X
18	1	050564	Center Case Cover Bracket	

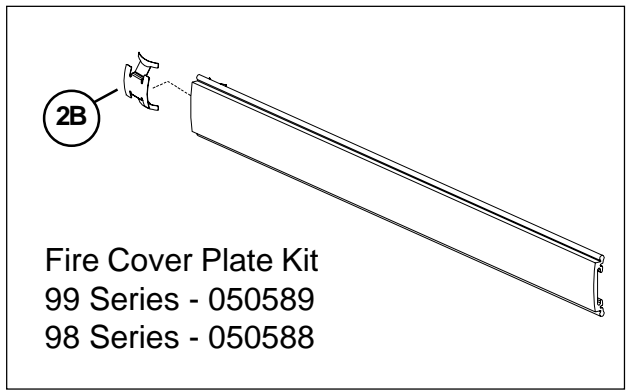
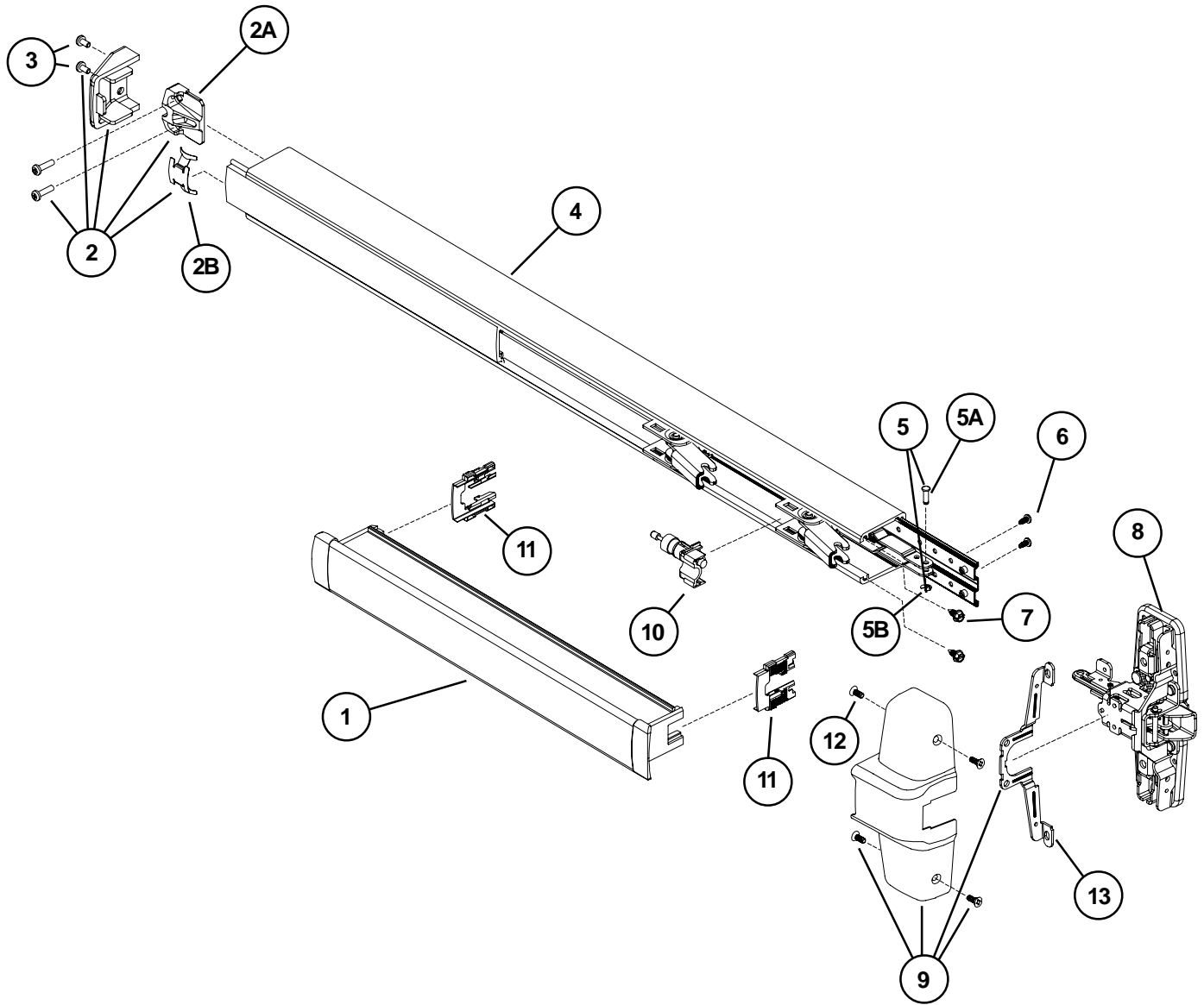
X in "Finish" column designates finished items; finish must be specified when ordering.

* To order, specify device type, size, and finish. Example: PBKIT 98 3' US28

**Includes parts for three piece cover conversion

***Center case assembly parts shown on page 9.

98/99-F FIRE DEVICE



98/99-F FIRE DEVICE

Item No.	Quantity	Part No.	Description	Finish
	1	900561	98/99 Series Mounting Pkg. (1-3/4 & 2-1/4)	
1	1	*PBKIT	98/99 Series Push Bar Retrofit Kit - 3' Door	X
1	1	*PBKIT	98/99 Series Push Bar Retrofit Kit - 4' Door	X
2	1	050014	98/99 Series End Cap Kit	X
2A	1	050524	Impact Resistant End Cap Bracket	
2B	1	090036	Cover Plate Anti-rattle Spring (Pkg of 10)	
3	1	900597	Device End Cap and C/Case Screw Pkg.	X
4	1	968144	99 Series Mechanism Case - 3' Door	X
4	1	968146	99 Series Mechanism Case - 4' Door	X
4	1	970191	98 Series Mechanism Case - 3' Door	X
4	1	970192	98 Series Mechanism Case - 4' Door	X
5	1	050529	98/99 Series Control Link Pin & Ret. Ring	
5A	1	090031	98/99 Series Control Link Pin (Pkg of 10)	
5B	1	090107	Retaining Ring (Pkg of 10)	
6	2	090037	#8-32 x 3/8" Baseplate Screw (Pkg of 10)	
7	2	090073	Mechanism Case Bracket Screw (Pkg of 10)	
8***	1	050026	98/99-F Rim Center Case Less Cover	
9**	1	050071	98/99 Rim Center Case Cover Kit	X
10	1	050491	Shock Absorber & Holder Assembly	
11	2	090049	Push Bar Guide (Pkg of 10)	
12	4	900892	Center Case Cover Screws (Pkg of 4)	X
13	1	050564	Center Case Cover Bracket	

X in "Finish" column designates finished items; finish must be specified when ordering.

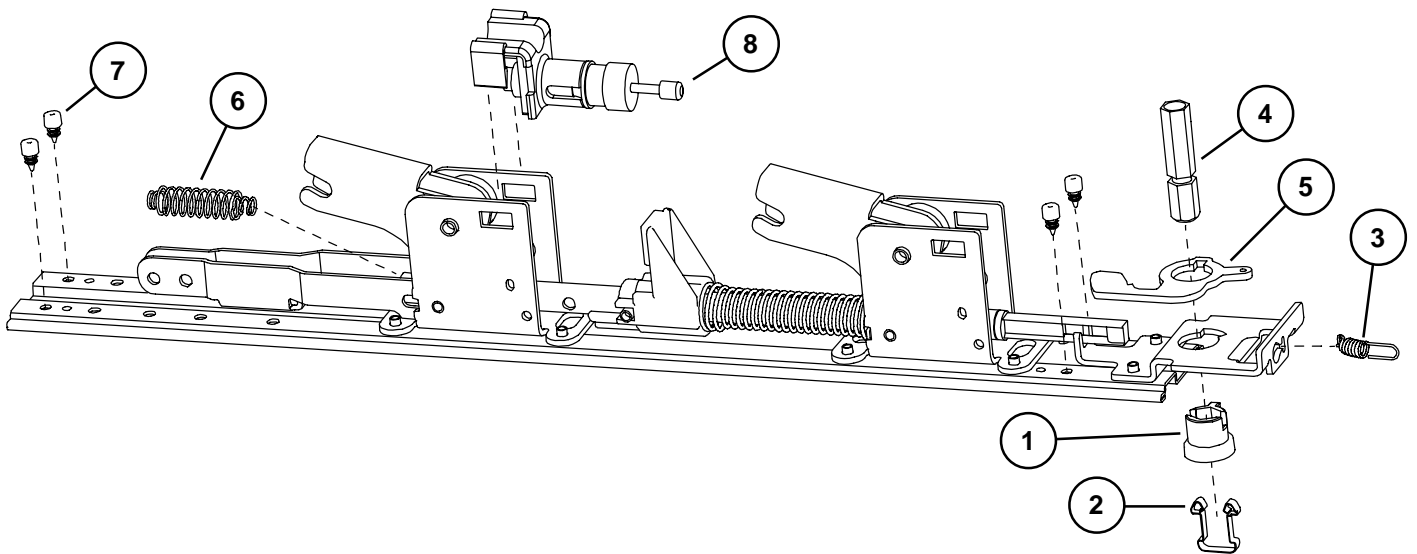
* To order, specify device type, size, and finish. Example: PBKIT 98 3' US28

**Includes parts for three piece cover conversion

***Center case assembly parts shown on page 9.

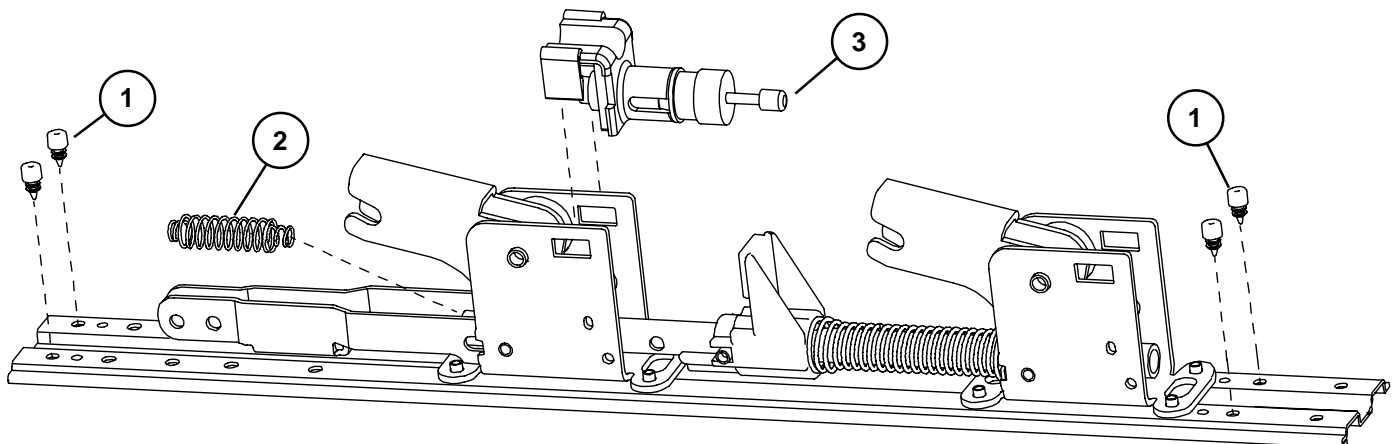
98/99 RIM PANIC DEVICE BASEPLATE ASSEMBLY

Item No.	Quantity	Part No.	Description	Finish
1	1	090043	Dogging adapter (Pkg of 2)	
2	1	090042	Dogging adapter spring (Pkg of 2)	
3	1	090041	Dogging spring (Pkg of 2)	
4	1	090040	Hex dogging shaft (Pkg of 2)	
5	1	090044	Dogging hook (Pkg of 2)	
6	1	090039	Latch return spring (Pkg of 10)	
7	4	090038	Rubber bumper (Pkg of 4)	
8	1	050491	Shock absorber	



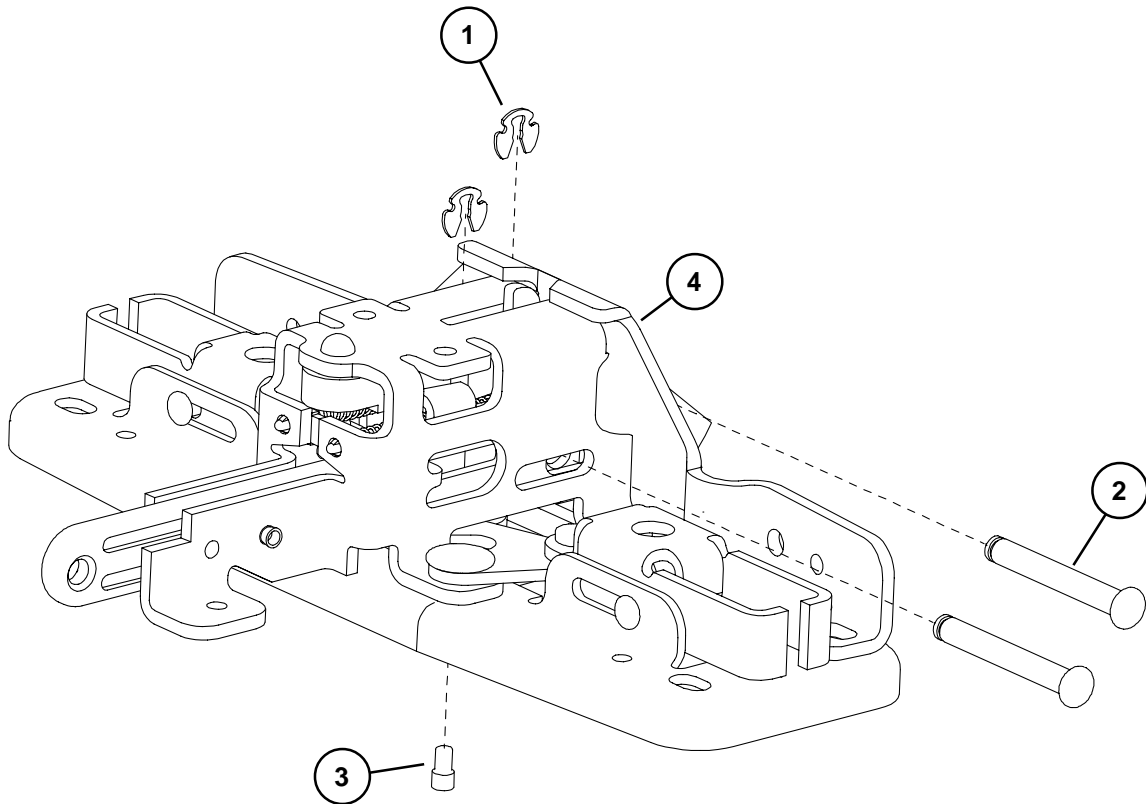
98/99-F FIRE DEVICE BASEPLATE ASSEMBLY

Item No.	Quantity	Part No.	Description	Finish
1	4	090038	Rubber bumper (Pkg of 4)	
2	1	090039	Latch return spring (Pkg of 10)	
3	1	050491	Shock absorber	



98/99 PANIC & 98/99-F FIRE DEVICE CENTER CASE ASSEMBLY

Item No.	Quantity	Part No.	Description	Finish
1	2	090107	Retaining Ring (Pkg of 10)	
2	2	090079	Latch Bolt Pin (Pkg of 10)	
3	1	090074	NL Drive Screw (Pkg of 10)	
4	1	050565	Center Case Reinforcing Bracket	



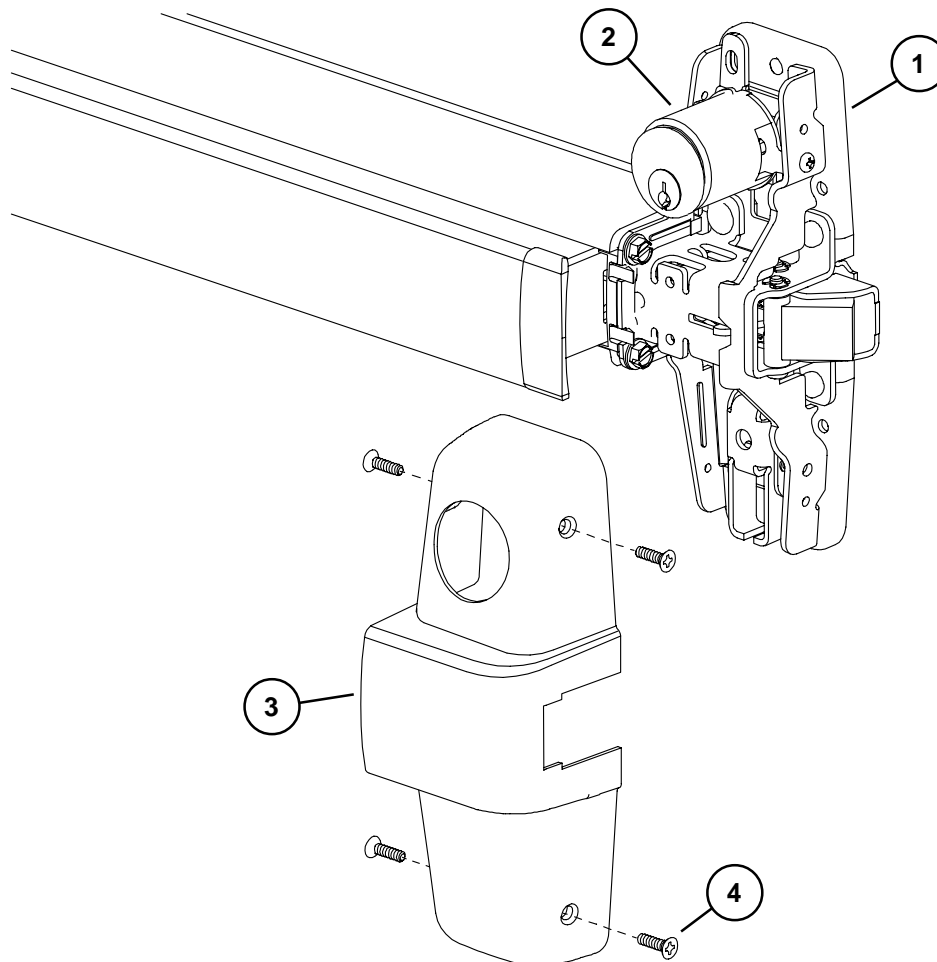
98/99-2 & 98/99-F-2 DOUBLE CYLINDER OPTION

Item No.	Quantity	Part No.	Description	Finish
1*	1	050024	98/99-2 RHR Center Case Less Cover	
1*	1	050025	98/99-2 LHR Center Case Less Cover	
1*	1	050027	98/99-F-2 RHR Center Case Less Cover	
1*	1	050028	98/99-F-2 LHR Center Case Less Cover	
2	1	113098	98/99 Rim Double Cyl. Adapter Assembly -LHR	X
2	1	113099	98/99 Rim Double Cyl. Adapter Assembly -RHR	X
3**	1	050555	98/99-2/SD RHR Center Case Cover Kit	X
3**	1	050556	98/99-2/SD LHR Center Case Cover Kit	X
4	4	900892	Center Case Cover Screws (Pkg of 4)	X
***	1	050388	98/99-2 Conversion Kit RHR	X
***	1	050389	98/99-2 Conversion Kit LHR	X

*Parts shown are for the double cylinder option. For other available center case parts refer to page 9.

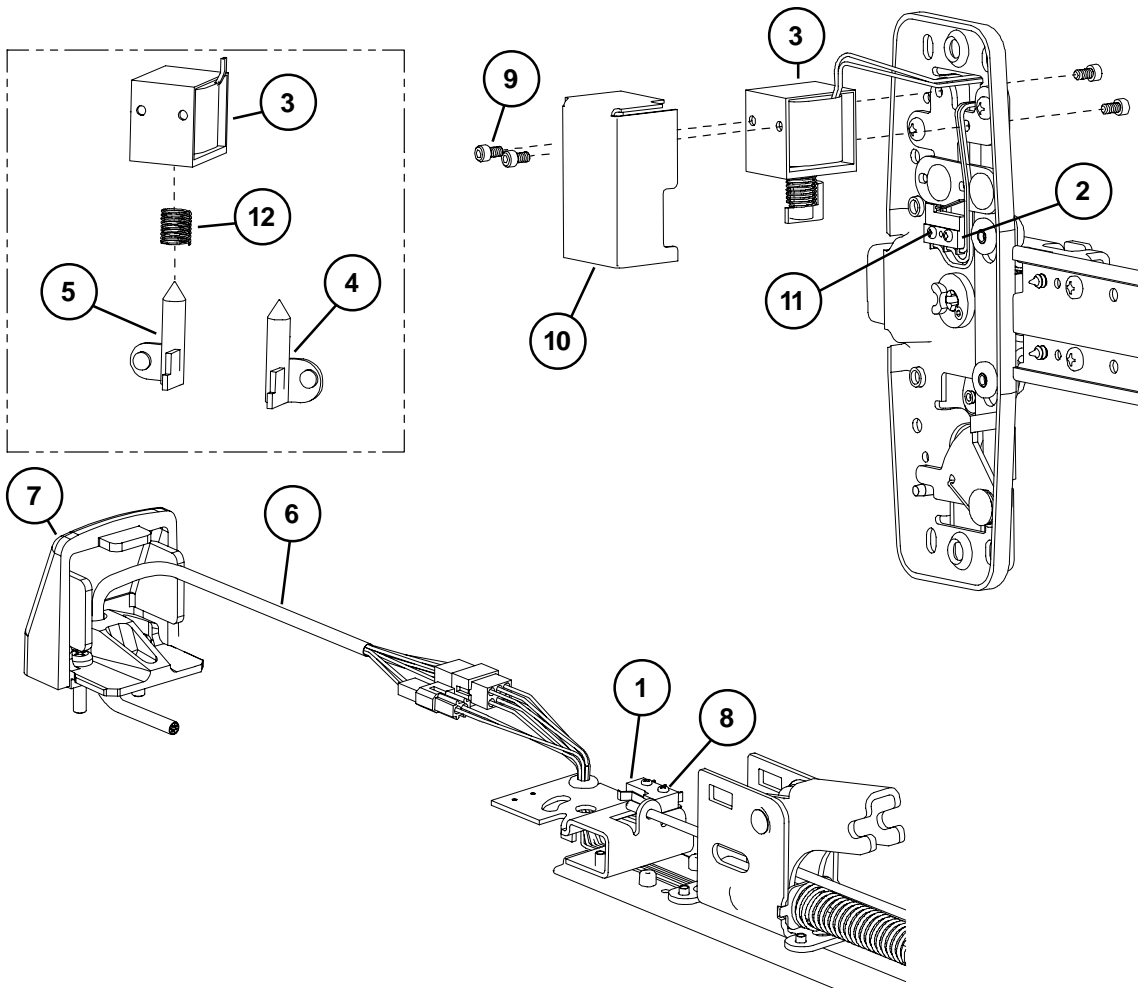
**Includes parts for three piece cover conversion.

***Kit includes items 1-4.



E98/99 & E98/99-F (ELECTRIC LOCKING) OPTION

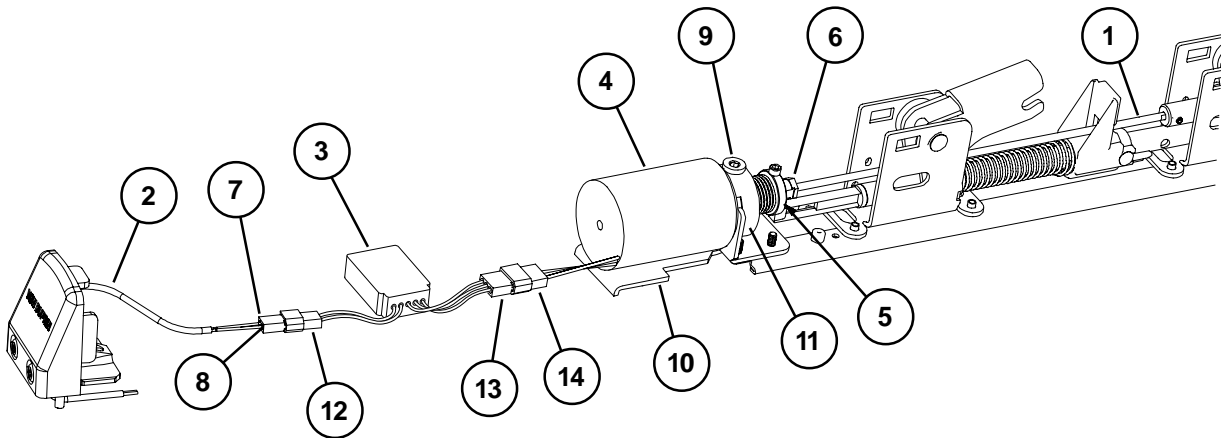
Item No.	Quantity	Part No.	Description	Finish
1	1	106224	E98/99 Rim Subminiature Switch Assembly (R,Y,B)	
2	1	968938	Subminiature Switch	
3	1	110389	E98/99 Rim Solenoid	
4	1	110392	E98/99 Solenoid Plunger - FSE RHR	
4	1	110390	E98/99 Solenoid Plunger - FSE LHR	
5	1	110393	E98/99 Solenoid Plunger - FS RHR	
5	1	110391	E98/99 Solenoid Plunger - FS LHR	
6	1	110867	E98/99 Rim Signal Cable	
7	1	050014	98/99 Series End Cap Kit	X
8	2	964269	2-56 x 3/8" PPHMS Subminiature Switch Screws	
9	4	963761	6-32 x 1/4" Socket Cap Solenoid Cover Screws	
10	1	969605	Solenoid Cover	
11	2	964000	2-56 x 3/4" PPHMS Subminiature Switch Screws	
12	1	969606	Solenoid Spring	



HD-EL98/HD-EL99 HEX DOGGING/ELECTRIC LATCH RETRACTION OPTION - PANIC DEVICE ONLY

Item No.	Quantity	Part No.	Description	Finish
1	1	050531	EL Dogging Rod Kit - 3' device	
1	1	050532	EL Dogging Rod Kit - 4' device	
2	1	110388	EL 6' Cable and Connector	
3	1	050534	EL Potted Module	
4	1	050536	HD-EL Solenoid	
5	1	050537	HD-EL Solenoid Plunger	
6	1	050538	EL Dogging Rod Retainer	
7	1	050539	EL Receptacle Connector - 2 Position	
8	2	050540	EL Female Terminal	
9	1	050541	HD-EL Dog Screw	
10	1	050542	HD-EL Solenoid Bracket	
11	1	050543	HD-EL Dogging Spring	
12	1	990599	EL Plug Connector - 2 Position	
13	1	990857	EL Receptacle Connector - 3 Position	
14	1	990858	EL Plug Connector - 3 Position	
*	1	050384	HD-EL Conversion Kit - 3'	
*	1	050385	HD-EL Conversion Kit - 4'	

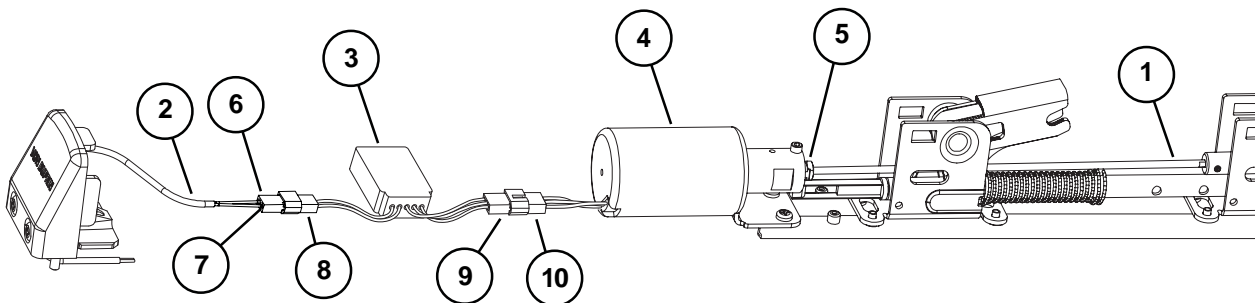
*Kit includes items 1-11 plus new control link, retaining ring, and baseplate screws.



EL98/EL99 SERIES ELECTRIC LATCH RETRACTION OPTION

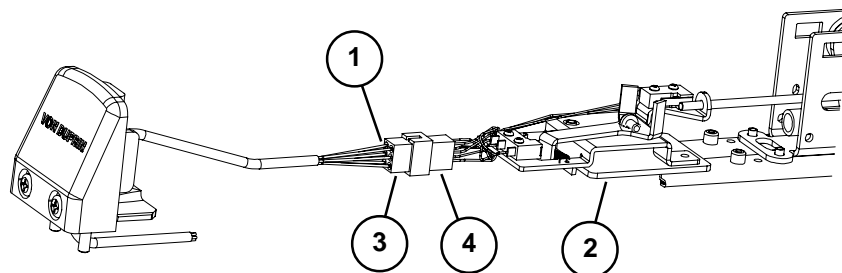
Item No.	Quantity	Part No.	Description	Finish
1	1	050531	EL Dogging Rod Kit - 3' device	
1	1	050532	EL Dogging Rod Kit - 4' device	
2	1	110388	EL 6' Cable and Connector	
3	1	050534	EL Potted Module	
4	1	050535	EL Solenoid Assembly	
5	1	050538	EL Dogging Rod Retainer	
6	1	050539	EL Receptacle Connector	
7	2	050540	EL Female Terminal	
8	1	990599	EL Plug Connector - 2 Position	
9	1	990857	EL Receptacle Connector - 3 Position	
10	1	990858	EL Plug Connector - 3 Position	
*	1	050070	EL Conversion Kit - 3'	
*	1	050078	EL Conversion Kit - 4'	

*Kit includes items 1-7 plus new control link pin, retaining ring, and baseplate screws.

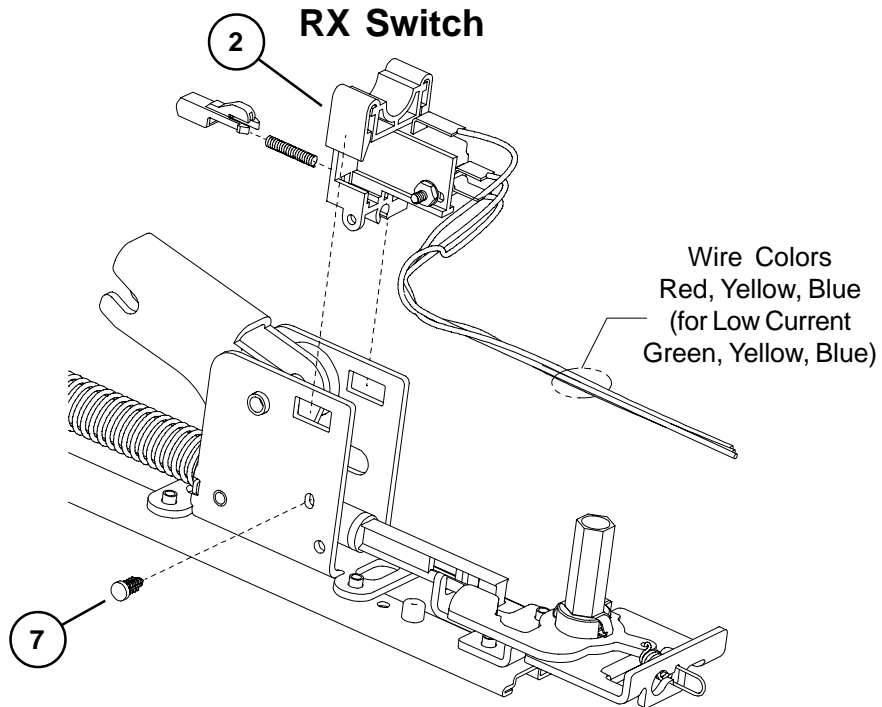
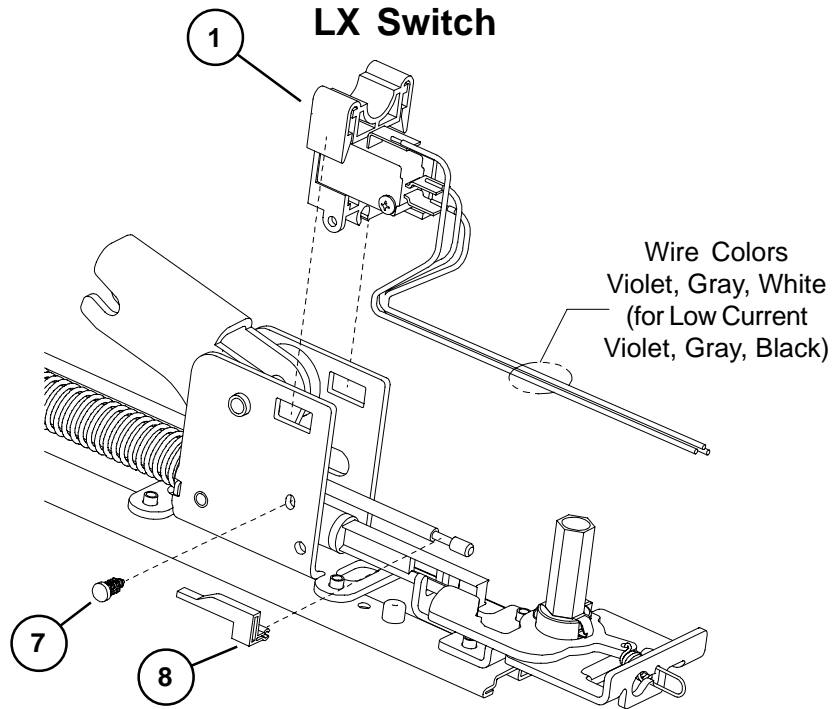


SS98/SS99 SERIES (SIGNAL SWITCH) OPTION

Item No.	Quantity	Part No.	Description	Finish
1	1	050544	SS Cable	
2	1	050545	SS Housing	
3	1	990601	SS Plug Connector - 6 Position	
4	1	990602	SS Receptacle Connector - 6 Position	

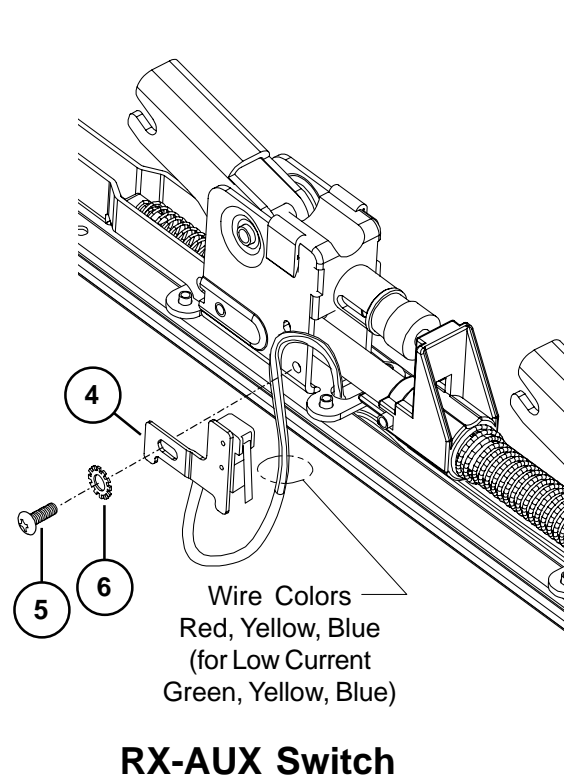
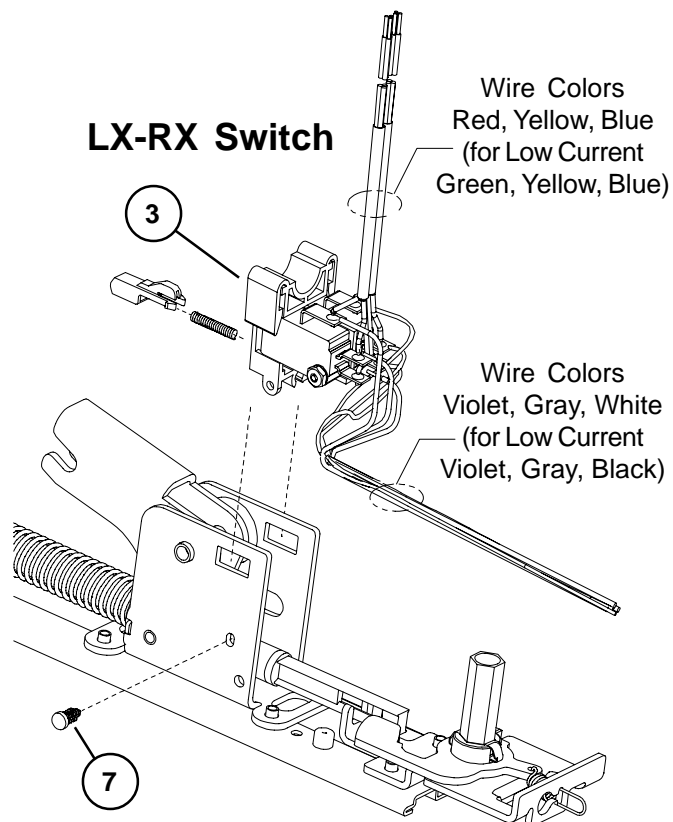


98/99 SERIES LX (LATCH BOLT MONITOR) & RX (REQUEST TO EXIT) OPTIONS



98/99 SERIES LX (LATCH BOLT MONITOR) & RX (REQUEST TO EXIT) OPTIONS

Item No.	Quantity	Part No.	Description	Finish
1	1	050254	LX Switch Kit 3' Device	
1	1	050255	LX Switch Kit 4' Device	
1	1	050247	LX-EL Switch Kit	
1	1	050283	LX-LC (Low Current) Switch Kit 3' Device	
1	1	050285	LX-LC (Low Current) Switch Kit 4' Device	
1	1	050287	LX-LC-EL (Low Current) Switch Kit	
2	1	050251	RX Switch Kit	
2	1	050281	RX-LC (Low Current) Switch Kit	
3	1	050256	LX-RX Switch Kit 3' Device	
3	1	050257	LX-RX Switch Kit 4' Device	
3	1	050259	LX-RX-EL Switch Kit	
3	1	050289	LX-RX-LC (Low Current) Sw. Kit 3' Device	
3	1	050291	LX-RX-LC (Low Current) Sw. Kit 4' Device	
3	1	050293	LX-RX-LC-EL (Low Current) Switch Kit	
2 & 4	1	050270	RX-2 Switch Kit	
4	1	050271	RX-AUX Switch Kit	
5	1	964558	8-32 x 5/16" PPHMS	
6	1	964019	#8 Washer	
7	1	090099	Pine Tree Clip (Pkg of 10)	
8	1	971091	LX Actuator	

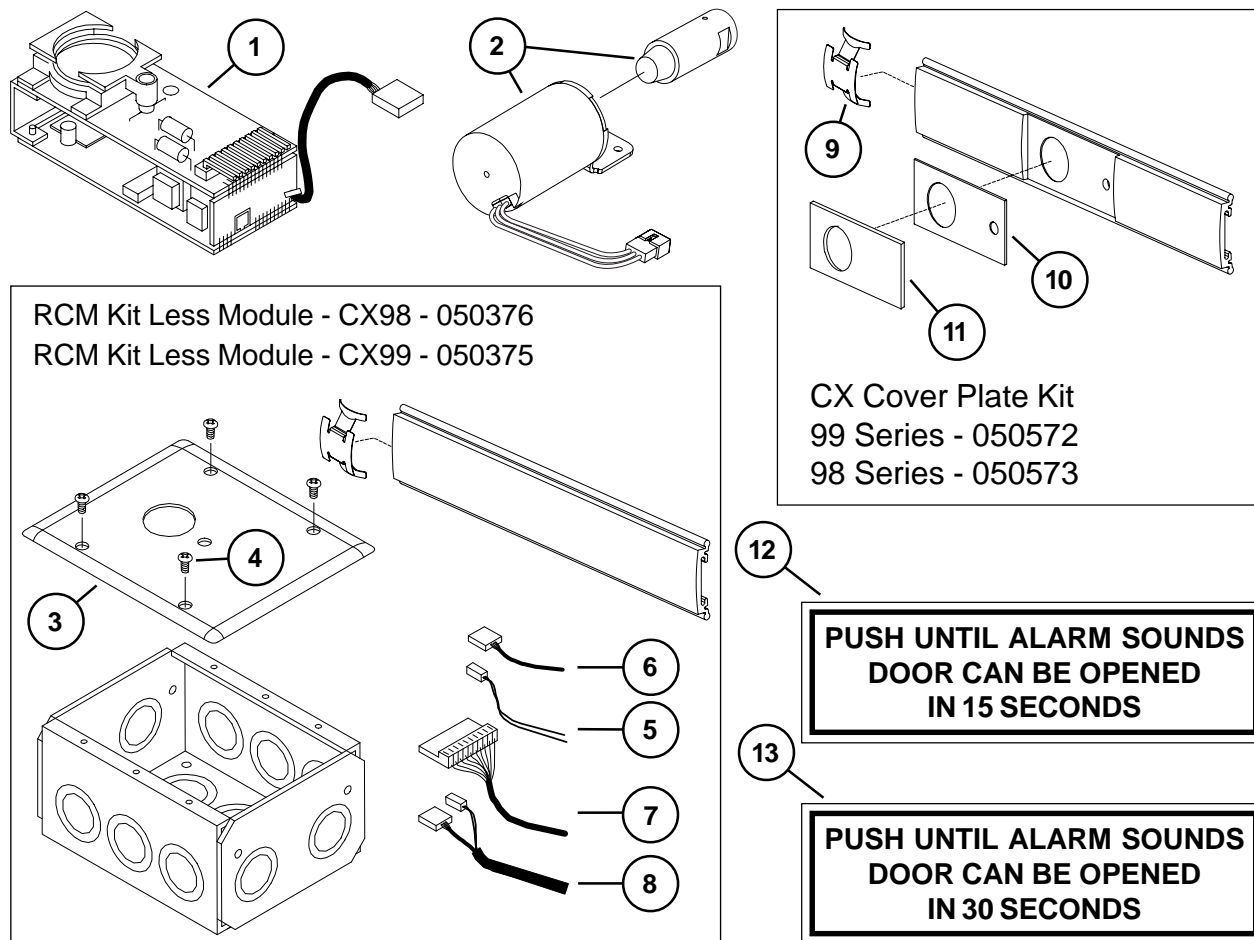


CX98/99 SERIES CHEXIT AND CX-RCM OPTION

For discontinued Chexit devices made before August, 24 2015

Item No.	Quantity	Part No.	Description	Finish
1	1	050228	Chexit PCB Kit - 15 Second Release	
1*	1	050700	Chexit PCB Kit - 30 Second Release	
1	1	050701	Chexit PCB Kit - 0 Second Release	
1	1	050702	Chexit PCB Kit - Boca 15 Second Release	
1*	1	050703	Chexit PCB Kit - Boca 30 Second Release	
2	1	050533	CX Solenoid and Plunger	
3	1	113111	Faceplate and Adapter	X
4	4	963898	6-32 x 3/8" OPHMS Faceplate Screw	X
5	1	991338	RCM 2-Wire RX Cable	
6	1	991339	RCM 3-Wire Solenoid Cable	
7	1	112018	Chexit Wiring Assembly	
8	1	991336	CX-RCM Cable Assy - 5 Wire	
9	1	090036	Cover Plate Anti-rattle Spring (Pkg of 10)	
10	1	970513	LED Cover Mask - Chexit	
11	1	970519	LED Cover - Chexit	
12	1	113781	Sign 15 Second - Chexit	
13	1	113782	Sign 30 Second - Chexit	

*Over 15 second delay requires a letter of approval from the authority having local jurisdiction over the premises prior to the installation of the device. Allegion cannot grant such approval nor does it warrant local jurisdiction compliance.

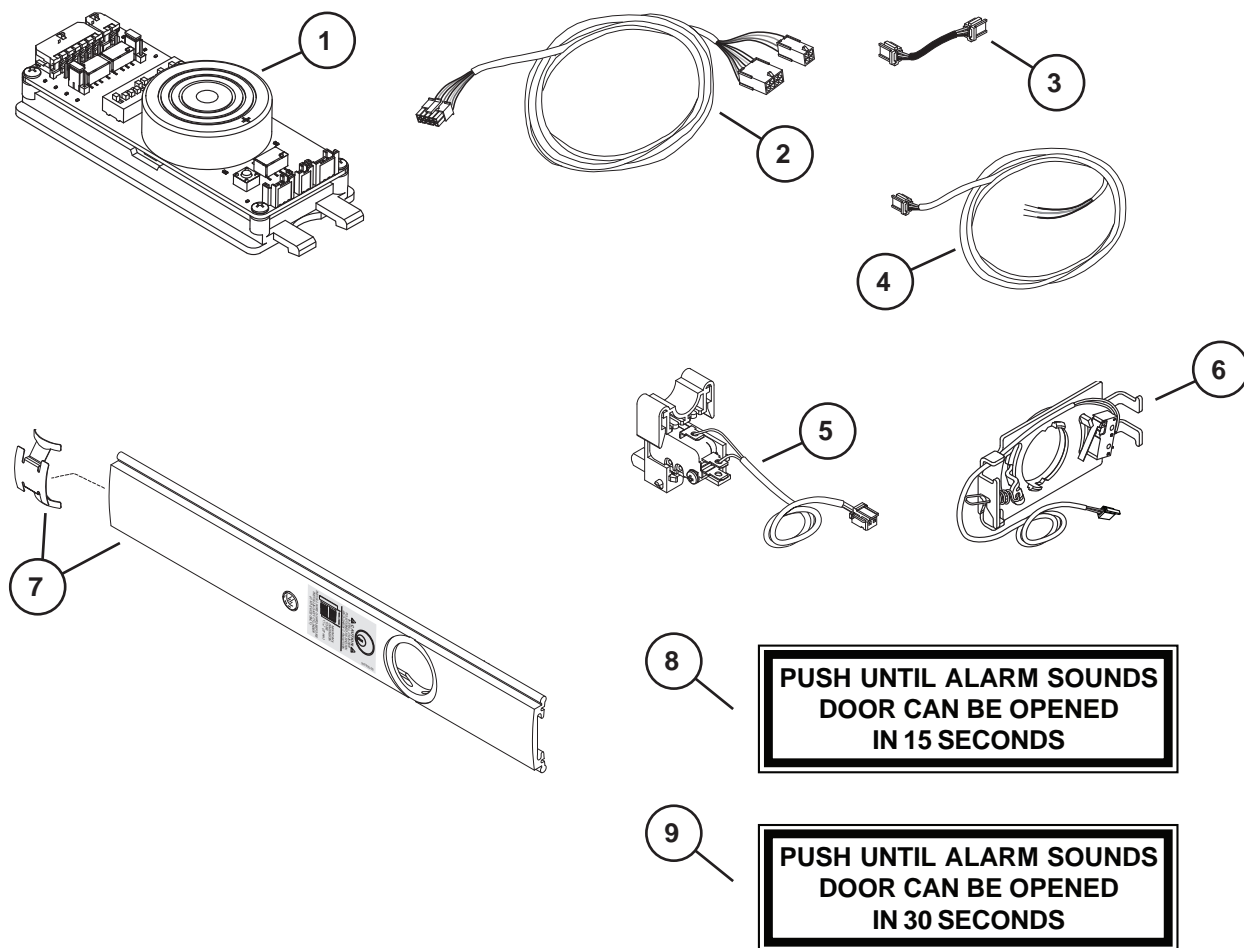


CX98/99 SERIES CHEXIT

For new Chexit devices made after August, 24 2015

Item No.	Quantity	Part No.	Description	Finish
1	1	040086	Standard - 15 Second Release Delay	
1*	1	040087	Special Infinite Release Delay	
1*	1	040088	Special 30 Second Release Delay	
1	1	040089	Special 0 Second Release Delay	
1	1	040090	Special Mute 15 Second Release Delay	
1	1	040091	BOCA 15 Second Release Delay	
2	1	040191	CX Field Wiring Cable	
3	1	040192	CX Motor Cable	
4	1	040193	CX Trim Device Cable	
5	1	116717	CX RX Switch Assembly	
6	1	040170	CX Key Switch Assembly 3'	
6	1	040189	CX Key Switch Assembly 4'	
7	1	040093	CX33/99 Cover Plate Kit	X
7	1	040094	CX35/98 Cover Plate Kit	X
8	1	113781	Sign 15 Second	
9	1	113782	Sign 30 Second	

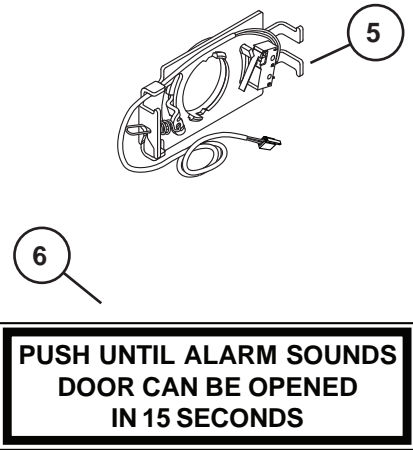
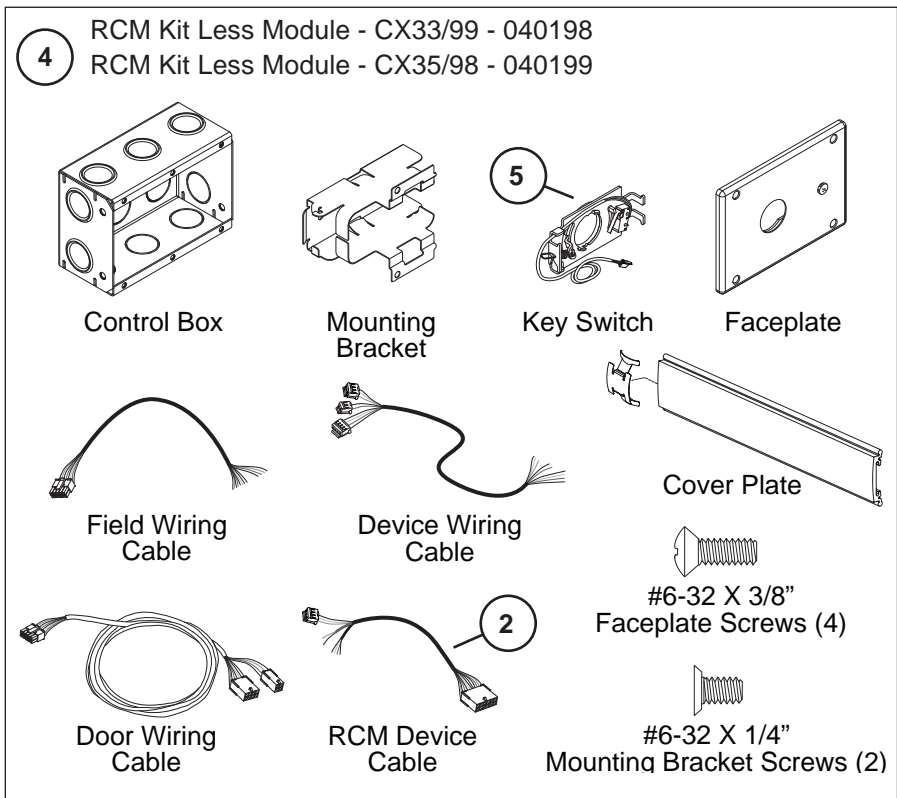
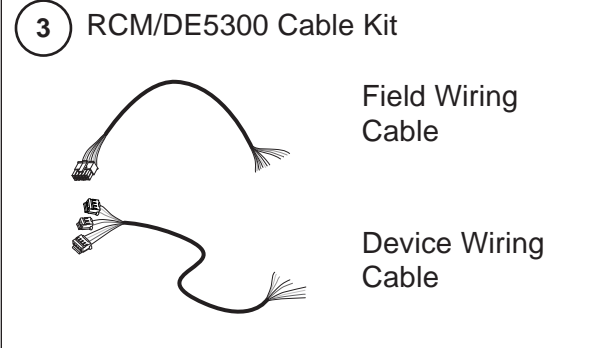
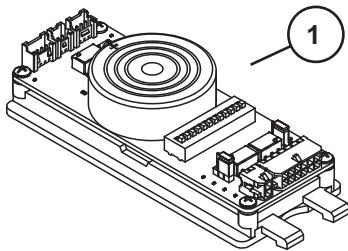
*Over 15 second delay requires a letter of approval from the authority having local jurisdiction over the premises prior to the installation of the device. Allegion cannot grant such approval nor does it warrant local jurisdiction compliance.



CX-RCM/DE5300 OPTIONS

For new RCM/DE5300 devices made after August, 24 2015

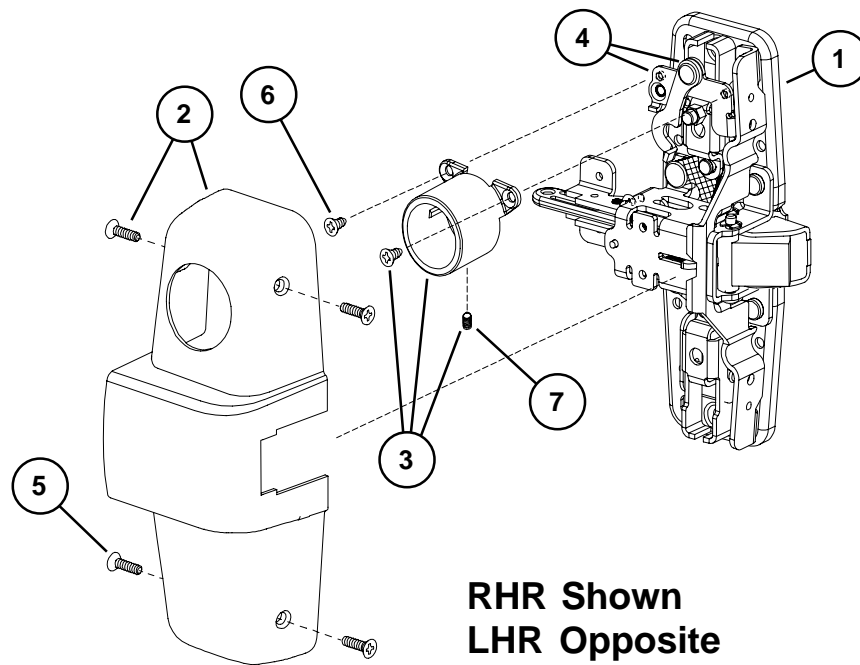
Item No.	Quantity	Part No.	Description	Finish
1	1	116711	Standard - 15 Second Release Delay	
2	1	040092	RCM Device Cable	
3	1	040188	DE5300/RCM Cable Kit	
4	1	040198	RCM Kit Less Module - CX33/99	X
4	1	040199	RCM Kit Less Module - CX35/98	X
5	1	040169	DE5300/RCM Key Switch Assy	
6	1	113781	Sign 15 Second	



CX-CD/SD98/99 SERIES OPTION

Item No.	Quantity	Part No.	Description	Finish
1*	1	050548	SD98/99 RHR Center Case Kit Less Cover	
1*	1	050549	SD98/99 LHR Center Case Kit Less Cover	
2	1	050555	SD98/99 RHR Center Case Cover Kit	X
2	1	050556	SD98/99 LHR Center Case Cover Kit	X
3	1	112409	CD-CX/SD Cylinder Dog Housing	
4	1	112455	CX-CD/SD Cylinder Dog Bracket Kit RHR	
4	1	112456	CX-CD/SD Cylinder Dog Bracket Kit LHR	
5	4	900892	Center Case Cover Screws	X
6	2	PkgServ.1018	8-32 x 1/4" UFPHMS (Pkg of 20)	
7	1	964240	Bracket Set Screw	
*	1	050386	SD98/99 Rim Conversion Kit RHR	X
*	1	050387	SD98/99 Rim Conversion Kit LHR	X

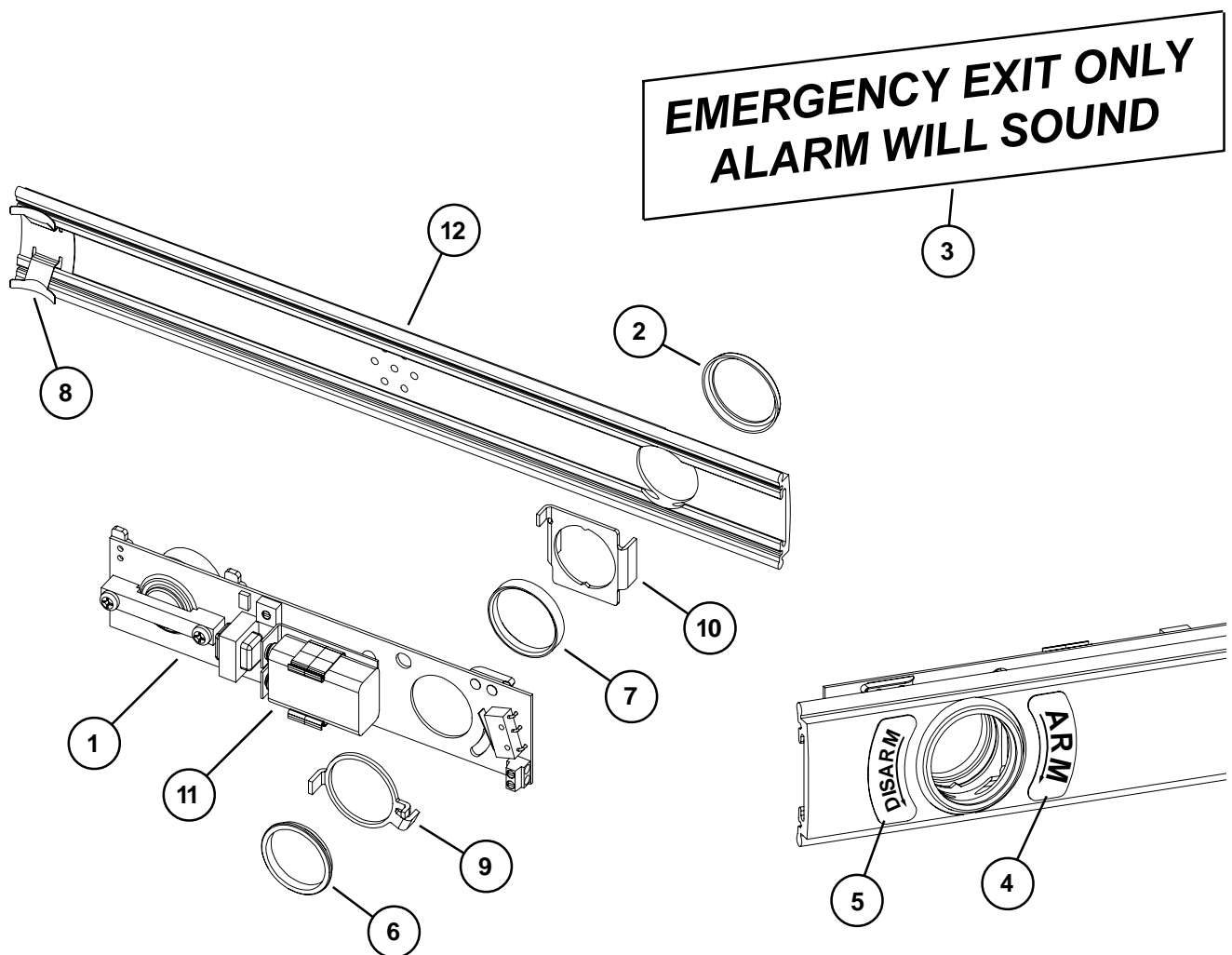
*Parts shown are for the CX-CD/SD option. For other available center case parts refer to page 9.



98/99 ALK EXIT ALARM KIT

Item No.	Quantity	Part No.	Description	Finish
1	1	111795	ALK PCB Assembly	
2	1	050525	Cylinder Collar	X
3	1	969122	ALK Alarm Device Sign	
4	1	969349	ALK Arming Label	
5	1	969350	ALK Disarming Label	
6	1	969354	Retainer Nut	
7	1	970594	ALK Cylinder Spacer	
8	1	090036	Cover Plate Anti-rattle spring (Pkg of 10)	
9	1	971556	ALK Switch Actuator	
10	1	971557	ALK Cylinder Bracket	
11	1	990637	ALK Battery	
12	1	050569	99 Series ALK Cover Plate Kit	X
12	1	050570	98 Series ALK Cover Plate Kit	X

X in "Finish" column designates finished items; finish must be specified when ordering.

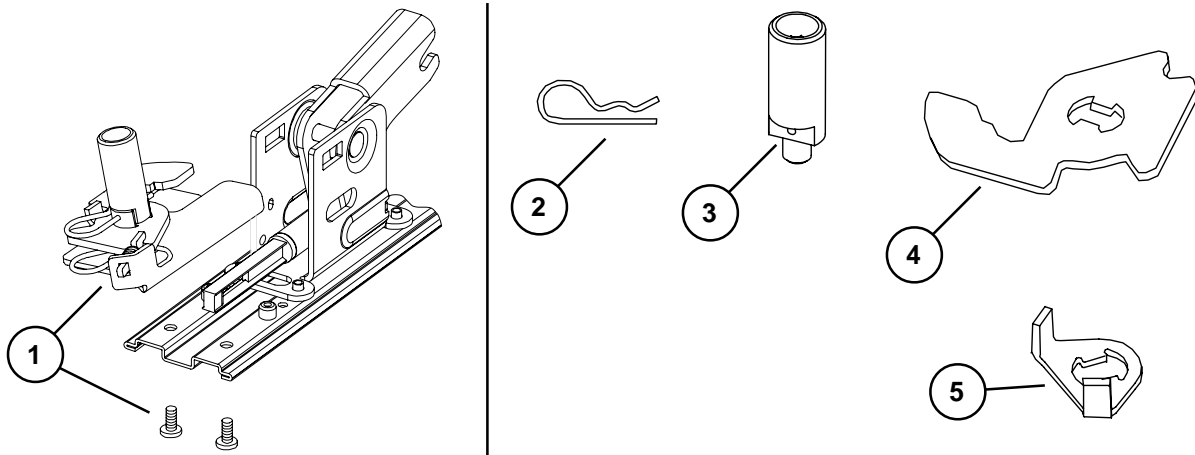


98/99 SERIES SERVICE REPLACEMENT ITEMS

Item No.	Quantity	Part No.	Description	Finish
1	1	050709	Old Style Hex Dogging Replacement Kit	
2	1	963909	#22 Hitch Pin - Hex/CD Dogging Old Style	
3	1	968112	Old Style Hex Dog Shaft	
4	1	969941	Old Style Dogging Hook	
5	1	968116	Old Style CD Actuator Arm	
6	1	900905	Old Style End Cap and Bracket Assembly	X
7	1	970548	Old Style Cover Plate Stop - End Cap	
8	1	900901	Old Style End Cap Screw Package	X
9	1	971082	Old Style 98/99 End Cap - Stainless Steel	X
9	1	971083	Old Style 98/99 End Cap - Brass	X
9	1	971084	Old Style 98/99 End Cap - Bronze	X
9	1	971085	Old Style 98/99 End Cap - Aluminum	X

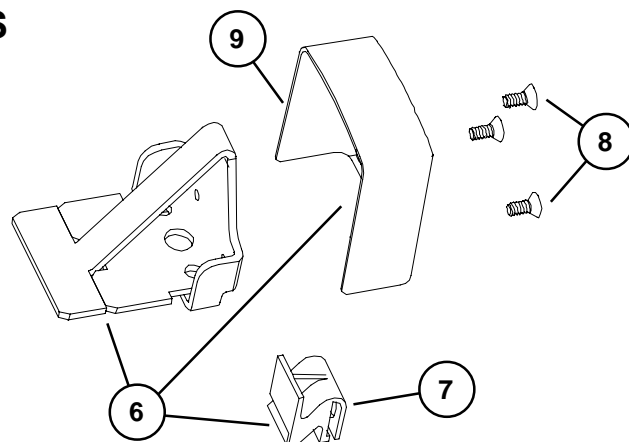
X in "Finish" column designates finished items; finish must be specified when ordering.

OLD STYLE DOGGING PARTS (FOR DEVICES SHIPPED BEFORE AUGUST 1997)



OLD STYLE END CAP PARTS (FOR DEVICES SHIPPED BEFORE JANUARY 2002)

Note: Newer style end cap kit shown on pages 4-5. Newer style end cap kit can be used on devices manufactured before January 2002, but mechanism case and cover plate on hinge stile must have a square cut and a clean edge.



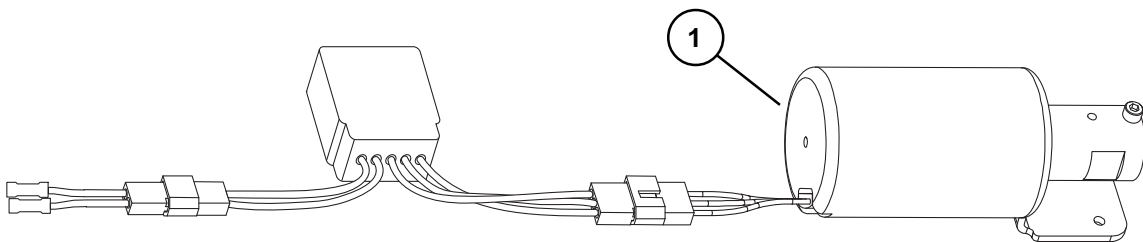
98/99 SERIES SERVICE REPLACEMENT ITEMS

Item No.	Quantity	Part No.	Description	Finish
1	1	050218	EL Solenoid Replacement Kit	

X in "Finish" column designates finished items; finish must be specified when ordering.

EL SOLENOID REPLACEMENT KIT (FOR DEVICES SHIPPED BEFORE JANUARY 1987)

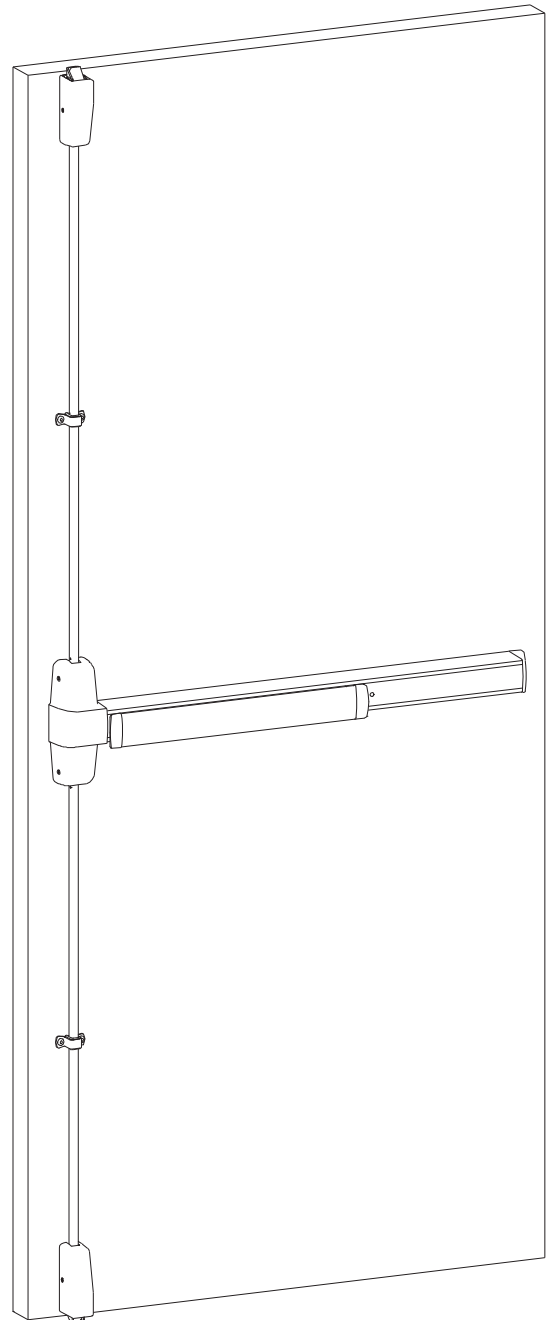
Note: This kit replaces the old style EL solenoid parts with the new style.



VON DUPRIN®

98/9927
Surface Vertical
Rod Series Exit
Devices

Service manual



INDEX

98/9927 Devices	
Basic Panic Device	4-5
Basic Fire Device	6-7
Vertical Rods and Latches	8-9
Baseplate Assemblies	10
Center Case Assembly	11
LBR (Less Bottom Rod) Fire Latch Kit	11
Variations of the Basic Device	
CD (Cylinder Dogging)	4-5
HD-EL (Hex Dogging/Electric Latch Retraction)	12
EL (Electric Latch Retraction)	13
SS (Signal Switch)	13
RX (Request to Exit)	14-15
LX (Latch Bolt Monitoring)	14-15
CX (Chexit Discontinued)	16
CX (Chexit New)	17
CX (Chexit New RCM/DE5300 Option)	18
CX-CD/SD (Chexit/Special Dogging)	19
ALK (Exit Alarm Kit)	20
Service Replacement Items	21-22
General Information	
Introduction	2
How to Order	2
Part Number Changes	2
Finishes	3
Outside Trim Functions	3
Strikes	3

INTRODUCTION

This manual contains a listing of replaceable parts and assemblies for the 98/9927 Exit Hardware Devices. 98 Series and 99 Series devices are almost identical. The 99 Series has a grooved case; the 98 Series has a smooth case.

HOW TO ORDER

Some parts are sold separately. Other items are available as part of a kit or multiple quantity package. For the best possible service when ordering replacement parts or assemblies, please provide the following information:

- Part number or assembly number
- Description
- Quantity needed
- Finish desired (if available finished)
- Date of original purchase (if known)

To find out the name of your local Von Duprin distributor or sales representative, contact:

Von Duprin Division
Allegion
2720 Tobey Drive
Indianapolis, IN 46219
Phone: 877-671-7011

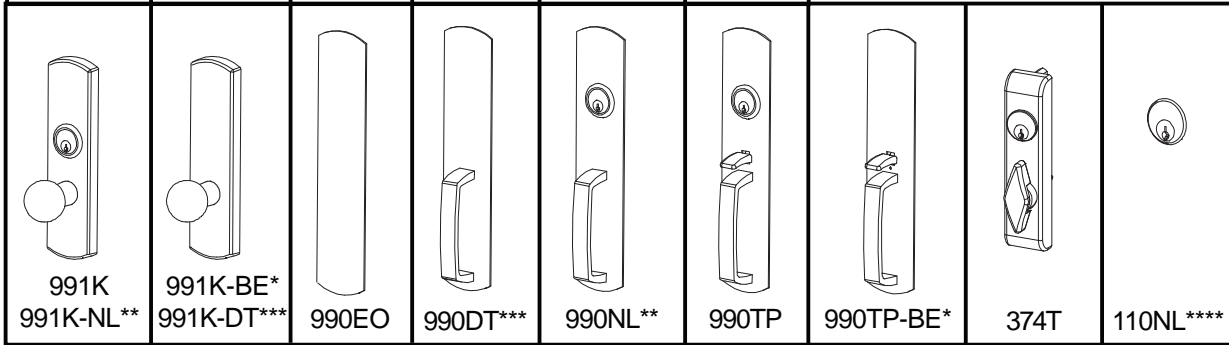
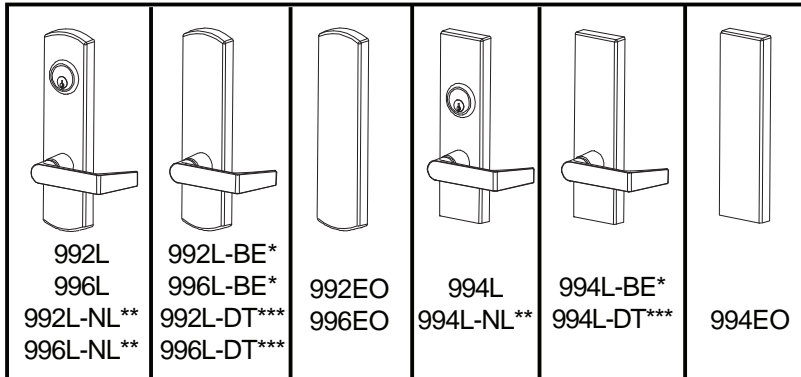
PART NUMBER AND AVAILABILITY CHANGES

This manual was designed to help illustrate the replacement parts and kits that are available for sale. Because of changes to the product and/or manufacturing process, part numbers and availability can change over time.

98/99 SERIES FINISHES

OUTSIDE TRIM FUNCTIONS

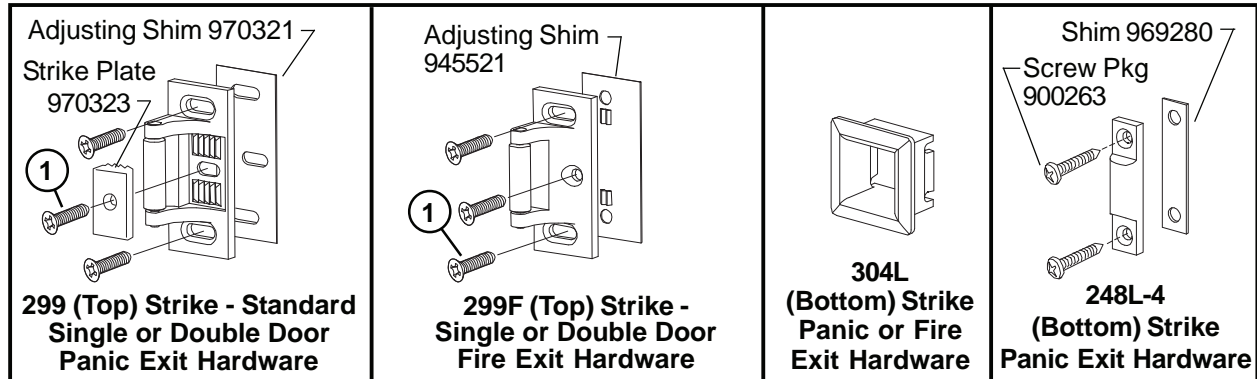
U.S. Std Reference	BHMA Reference	Description
US3	605	Polished Brass
US4	606	Dull Brass
US10	612	Dull Bronze
US15	619	Satin Nickel
US26	625	Polished Chrome
US26D	626	Dull Chrome
US28	628	Anodized Alum. (Clear)
US32D	630	Satin Stainless Steel
313AN	710	Anodized Alum. (313) Dark Bronze
315AN	711	Anodized Alum. (Black)



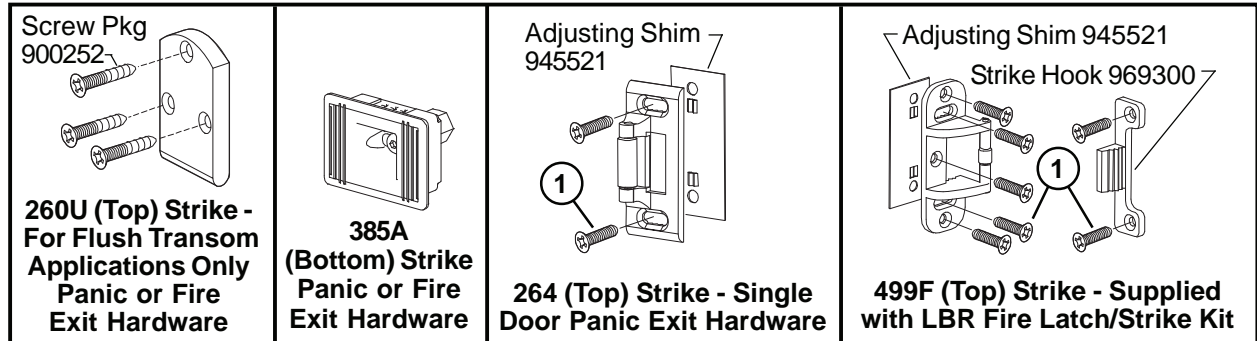
- * "BE" (Blank Escutcheon) no cylinder used - lever always active
- ** "NL" (Night Latch) rigid lever - key retracts latch bolt
- *** "DT" (Dummy Trim) rigid lever for pull operation
- **** Optional Pull needs to be added

① Metal Door Screw Package PKGSRV.1023 (Pkg of 10)
Wood Door Screw 964291 (Qty of 1)

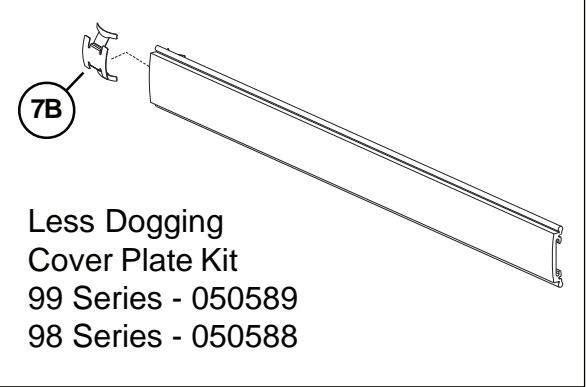
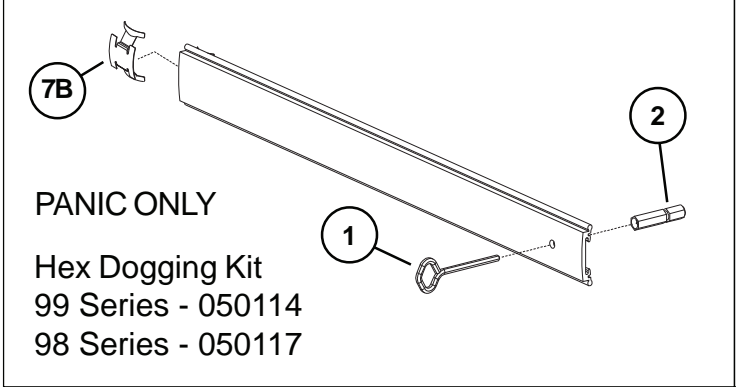
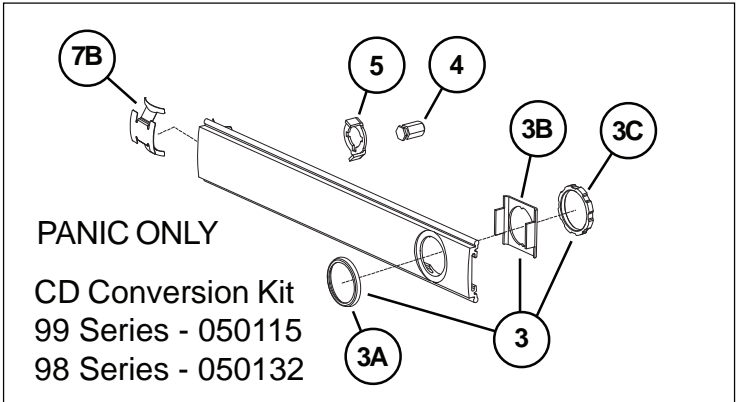
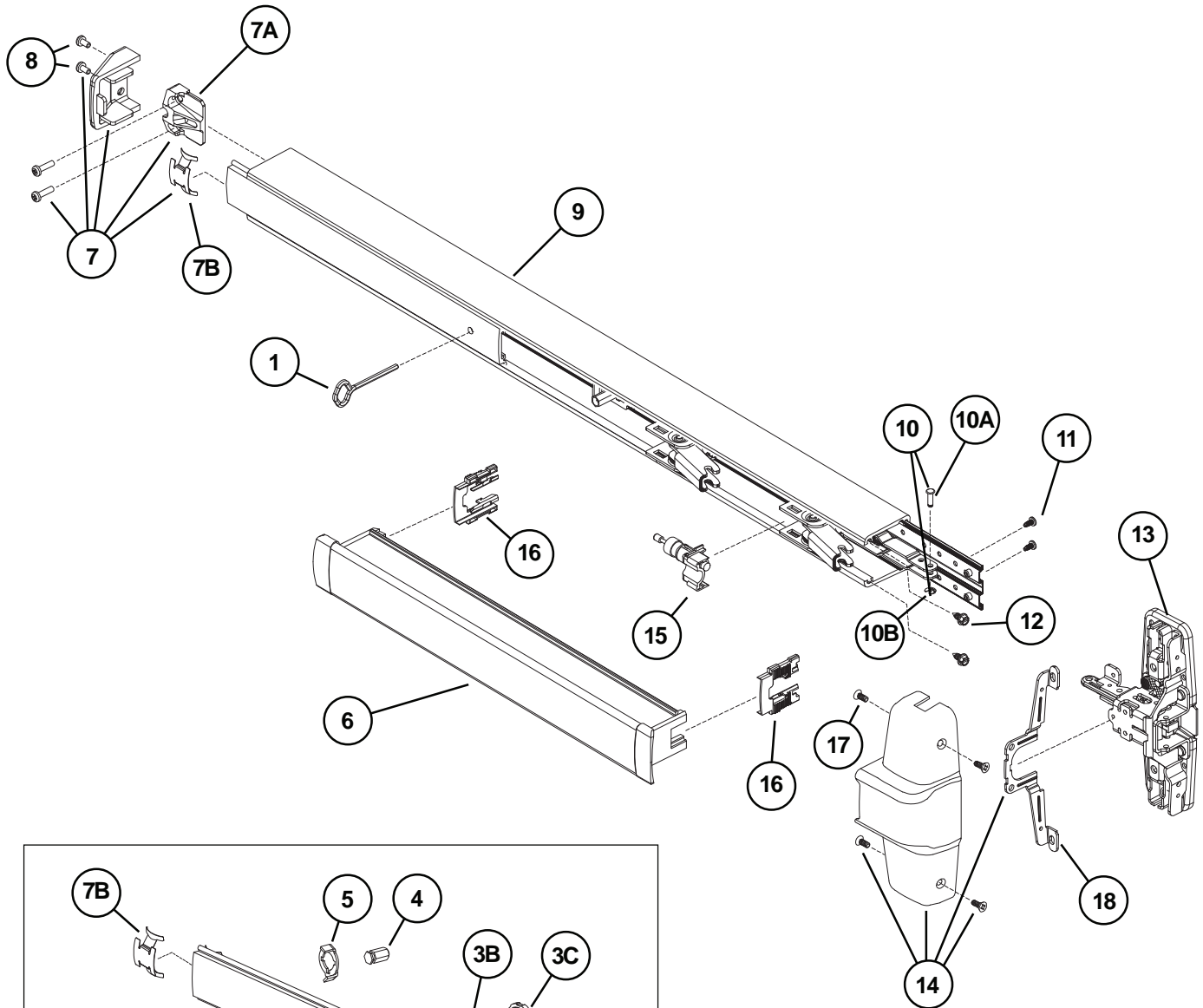
STANDARD STRIKES



OPTIONAL STRIKES



98/9927 PANIC DEVICE



98/9927 PANIC DEVICE

Item No.	Quantity	Part No.	Description	Finish
	1	900563	98/9927 Series Mounting Pkg. (1-3/4)	
	1	900568	98/9927 Series Mounting Pkg. (2-1/4)	
1	1	090085	227 Dog Key 5/32" Hex (Pkg of 10)	
1	1	090005	227 Dog Key 5/32" Hex (Pkg of 2)	
2	1	090040	Hex Dog Shaft (Pkg of 2)	
3	1	107813	Cylinder Mounting Pkg	X
3A	1	050525	Cylinder Collar	X
3B	1	050490	Cylinder Locating Washer - CD/SS	
3C	1	050526	Cylinder Locknut	
4	1	090046	CD Dogging Plug (Pkg of 2)	
5	1	090045	CD Actuator Arm (Pkg of 2)	
6	1	*PBKIT	98/99 Series Push Bar Retrofit Kit - 3' Door	X
6	1	*PBKIT	98/99 Series Push Bar Retrofit Kit - 4' Door	X
7	1	050014	98/99 Series End Cap Kit	X
7A	1	050524	Impact Resistant End Cap Bracket	
7B	1	090036	Cover Plate Anti-rattle Spring (Pkg of 10)	
8	1	900597	Device End Cap and C/Case Screw Pkg.	X
9	1	968144	99 Series Mechanism Case - 3' Door	X
9	1	968146	99 Series Mechanism Case - 4' Door	X
9	2	970191	98 Series Mechanism Case - 3' Door	X
9	1	970192	98 Series Mechanism Case - 4' Door	X
10	1	050529	98/99 Series Control Link Pin & Ret. Ring	
10A	1	090031	98/99 Series Control Link Pin (Pkg of 10)	
10B	1	090107	Retaining Ring (Pkg of 10)	
11	2	090037	#8-32 x 3/8" Baseplate Screw (Pkg of 10)	
12	2	090073	Mechanism Case Bracket Screw (Pkg of 10)	
13***	1	050021	98/9927/-F Center Case Kit Less Cover	
14**	1	050072	98/9927/-F Center Case Cover Kit	X
15	1	050491	Shock Absorber & Holder Assembly	
16	2	090049	Push Bar Guide (Pkg of 10)	
17	4	900892	Center Case Cover Screws (Pkg of 4)	X
18	1	050564	Center Case Cover Bracket	

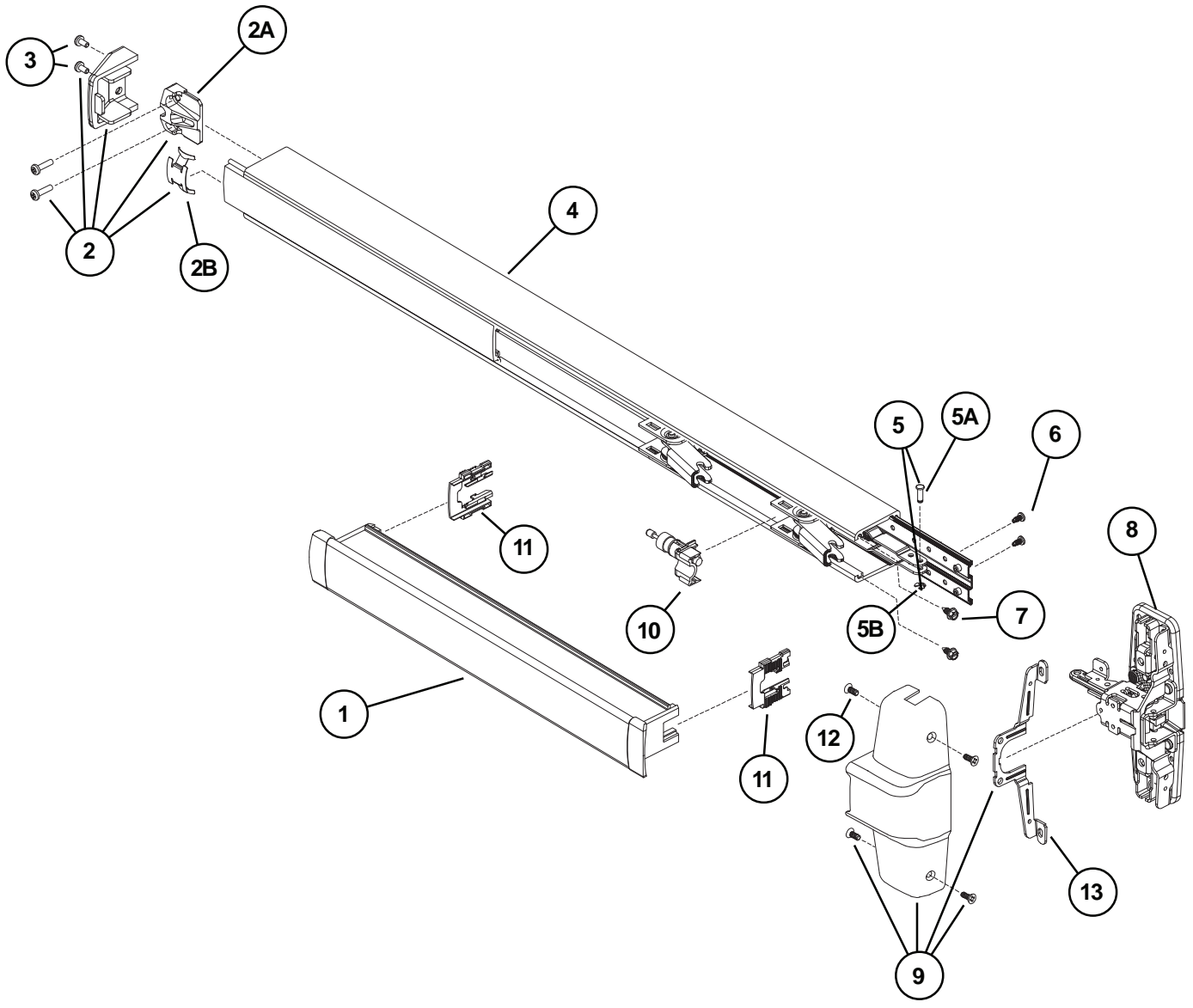
X in "Finish" column designates finished items; finish must be specified when ordering.

* To order, specify device type, size, and finish. Example: PBKIT 98 3' US28.

**Includes parts for three piece cover conversion.

***Center case assembly parts shown on page 11.

98/9927-F FIRE DEVICE



Fire Cover Plate Kit
 99 Series - 050589
 98 Series - 050588

98/9927-F FIRE DEVICE

Item No.	Quantity	Part No.	Description	Finish
	1	900563	98/9927 Series Mounting Pkg. (1-3/4)	
	1	900568	98/9927 Series Mounting Pkg. (2-1/4)	
1	1	*PBKIT	98/99 Series Push Bar Retrofit Kit - 3' Door	X
1	1	*PBKIT	98/99 Series Push Bar Retrofit Kit - 4' Door	X
2	1	050014	98/99 Series End Cap Kit	X
2A	1	050524	Impact Resistant End Cap Bracket	
2B	1	090036	Cover Plate Anti-rattle Spring (Pkg of 10)	
3	1	900597	Device End Cap and C/Case Screw Pkg.	X
4	1	968144	99 Series Mechanism Case - 3' Door	X
4	1	968146	99 Series Mechanism Case - 4' Door	X
4	1	970191	98 Series Mechanism Case - 3' Door	X
4	1	970192	98 Series Mechanism Case - 4' Door	X
5	1	050529	98/99 Series Control Link Pin & Ret. Ring	
5A	1	090031	98/99 Series Control Link Pin (Pkg of 10)	
5B	1	090107	Retaining Ring (Pkg of 10)	
6	2	090037	#8-32 x 3/8" Baseplate Screw (Pkg of 10)	
7	2	090073	Mechanism Case Bracket Screw (Pkg of 10)	
8***	1	050021	98/9927/-F Center Case Kit Less Cover	
9**	1	050072	98/9927/-F Center Case Cover Kit	X
10	1	050491	Shock Absorber & Holder Assembly	
11	2	090049	Push Bar Guide (Pkg of 10)	
12	4	900892	Center Case Cover Screws (Pkg of 4)	X
13	1	050564	Center Case Cover Bracket	

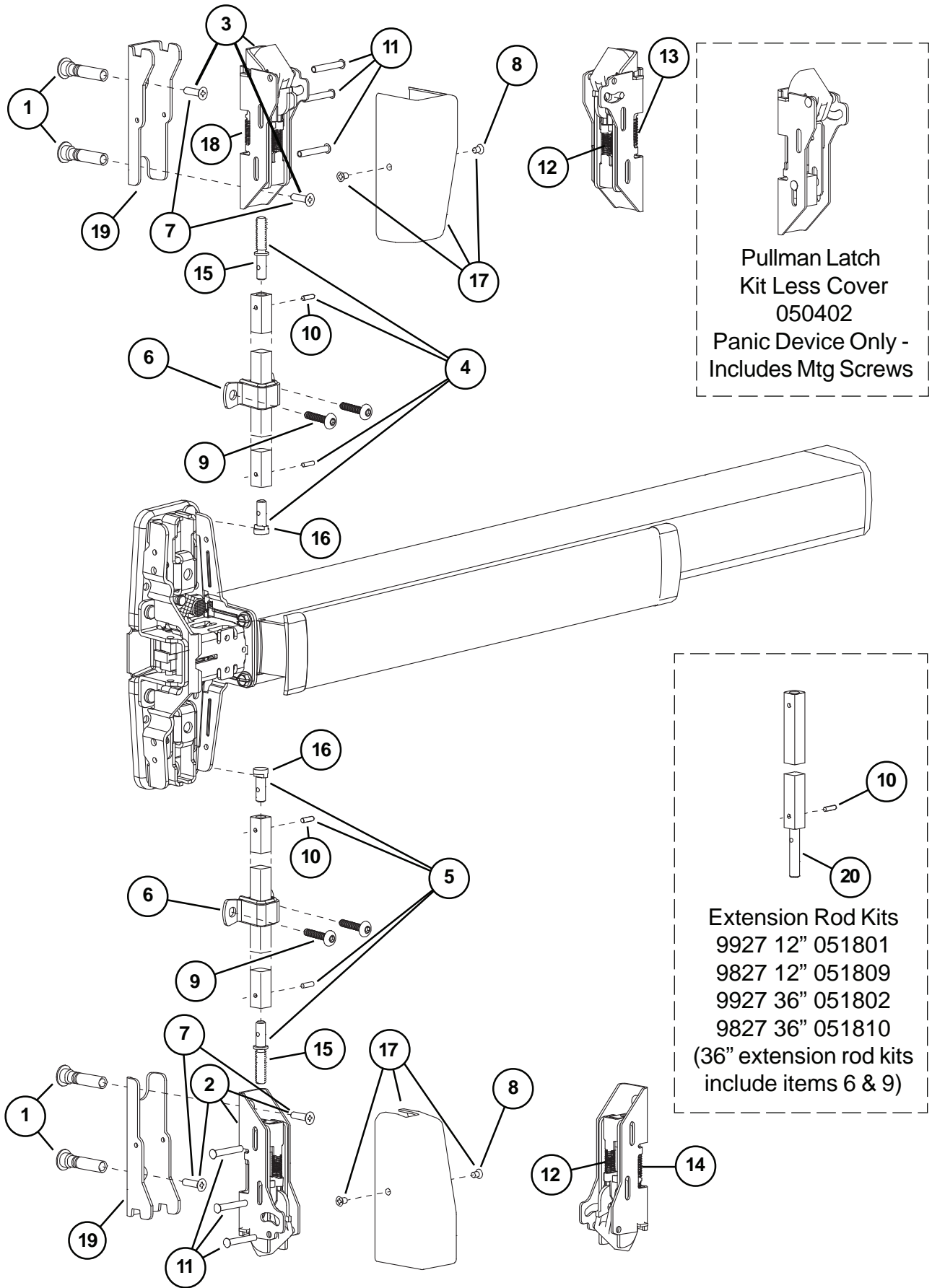
X in "Finish" column designates finished items; finish must be specified when ordering.

* To order, specify device type, size, and finish. Example: PBKIT 98 3' US28.

**Includes parts for three piece cover conversion.

***Center case assembly parts shown on page 11.

98/9927 VERTICAL RODS AND LATCHES



98/9927 VERTICAL RODS AND LATCHES

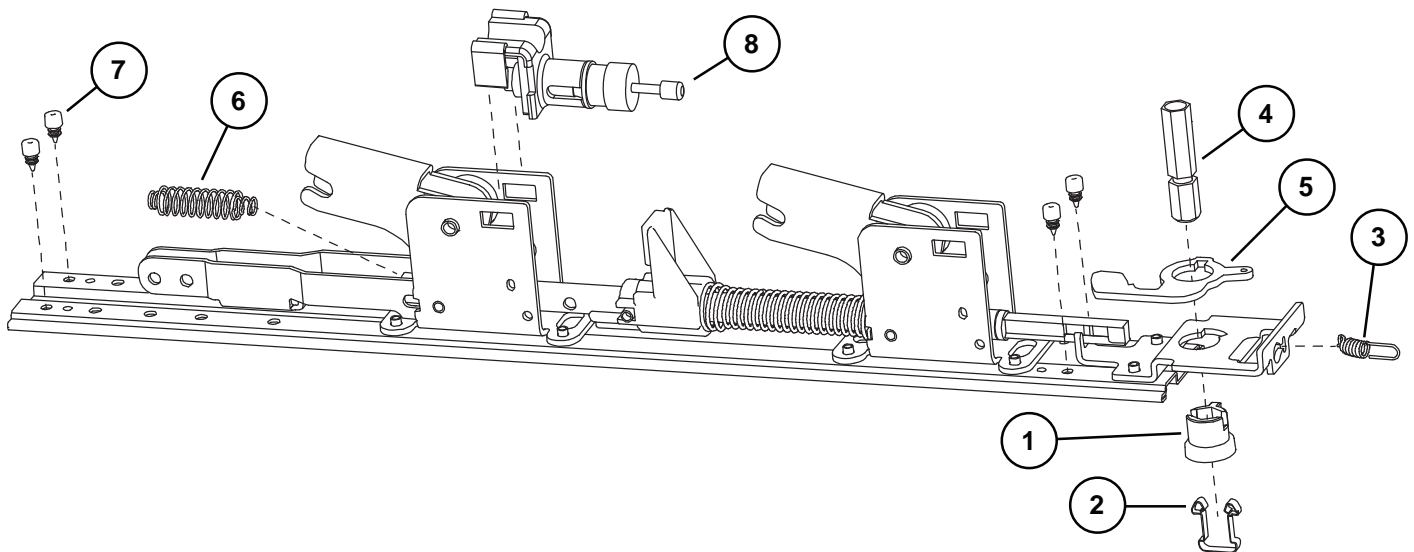
Item No.	Quantity	Part No.	Description	Finish
1	2	034902	325 Sex Bolt Package (Pkg of 2)	X
2	1	050401	98/9927 Bottom Latch Kit Less Cover	
3	1	050400	98/9927 Top Latch Kit Less Cover	
4	1	050512	9927 Top Rod Kit	X
4	1	050513	9827 Top Rod Kit	X
5	1	050514	9927 Bottom Rod Kit	X
5	1	050515	9827 Bottom Rod Kit	X
6	2	112063	98/9927 Rod Guide Pkg	X
7	1	900589	Latch Mounting Package (Pkg of 4)	
8	2	900850	Latch Case Cover Screw (Pkg of 2)	X
9	2	900919	98/9927 Rod Guide Mounting Package	
10	4	090054	Rod Roll Pin (Pkg of 10)	
11	6	090055	Housing Guide Pin (Pkg of 10)	
12	2	090065	Bolt Return Spring (Pkg of 10)	
13	1	090056	Top Latch Compression Spring (Pkg of 10)	
13	1	090057	PL Top Latch Spring (Pkg of 10)	
14	1	090058	Bottom Latch Case Spring (Pkg of 10)	
15	2	090067	Rod Connector - Latch (Pkg of 2)	
16	2	090068	Rod Connector - Center Case (Pkg of 2)	
17	1	050566	98/9927/27-F Latch Case Cover Kit	X
18	1	090076	Aux. Bolt Spring (Pkg of 10)	
19	2	050546	Latch Case Mtg. Bracket Kit	
20	1	090075	98/9927 Rod Extension Connector (Pkg of 4)	
*	1	050090	98/9927 Bottom Latch Retrofit Kit	X
*	1	050091	98/9927 Top Latch Retrofit Kit	X

X in "Finish" column designates finished items; finish must be specified when ordering.

* For devices shipped before October 1998.

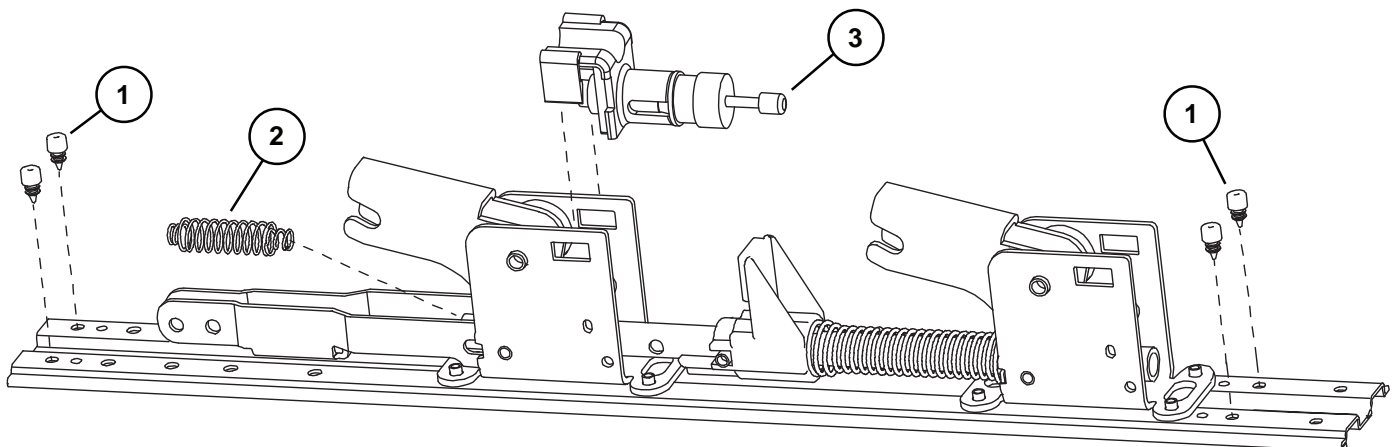
98/9927 PANIC DEVICE BASEPLATE ASSEMBLY

Item No.	Quantity	Part No.	Description	Finish
1	1	090043	Dogging adapter (Pkg of 2)	
2	1	090042	Dogging adapter spring (Pkg of 2)	
3	1	090041	Dogging spring (Pkg of 2)	
4	1	090040	Hex dogging shaft (Pkg of 2)	
5	1	090044	Dogging hook (Pkg of 2)	
6	1	090039	Latch return spring (Pkg of 10)	
7	4	090038	Rubber bumper (Pkg of 4)	
8	1	050491	Shock absorber	



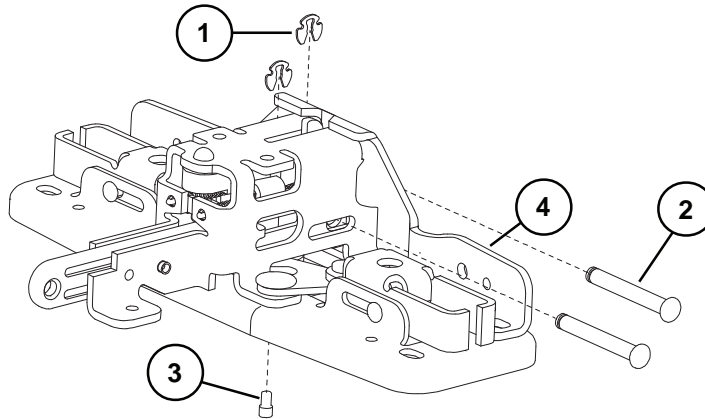
98/9927-F FIRE DEVICE BASEPLATE ASSEMBLY

Item No.	Quantity	Part No.	Description	Finish
1	4	090038	Rubber bumper (Pkg of 4)	
2	1	090039	Latch return spring (Pkg of 10)	
3	1	050491	Shock absorber	



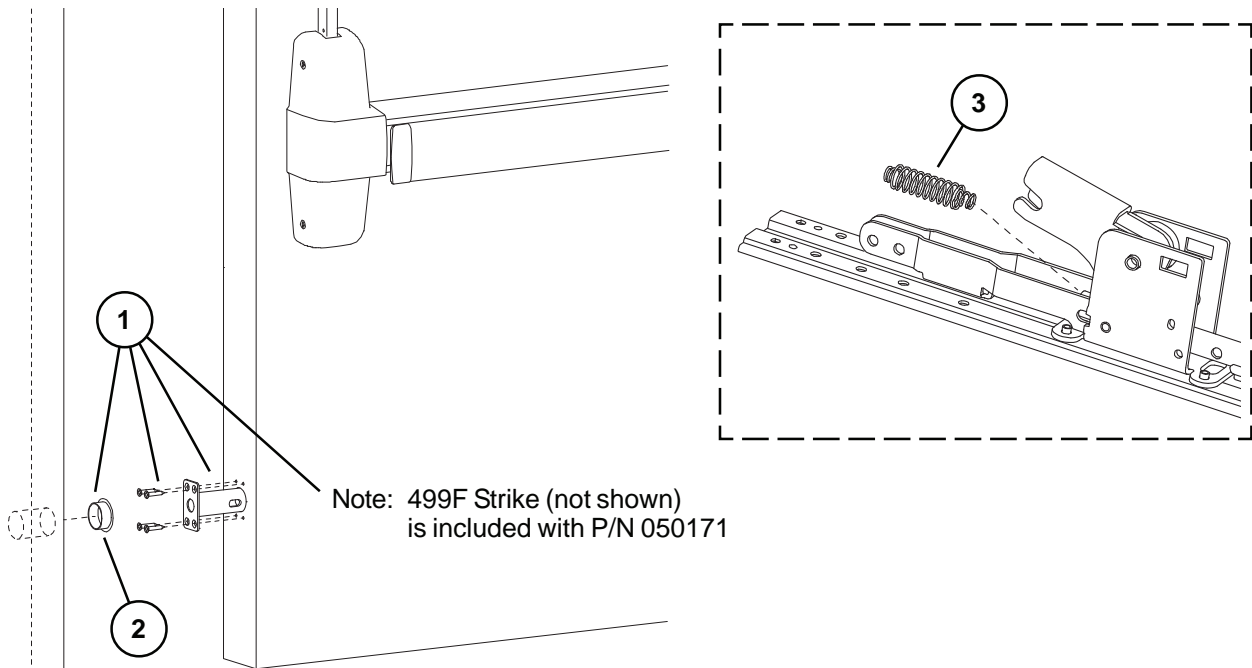
98/9927 DEVICE CENTER CASE ASSEMBLY

Item No.	Quantity	Part No.	Description	Finish
1	2	090107	Retaining Ring (Pkg of 10)	
2	2	090079	Latch Bolt Pin (Pkg of 10)	
3	1	090074	NL Drive Screw (Pkg of 10)	
4	1	050565	Center Case Reinforcing Bracket	



98/9927-F LBR (LESS BOTTOM ROD) FIRE LATCH KIT

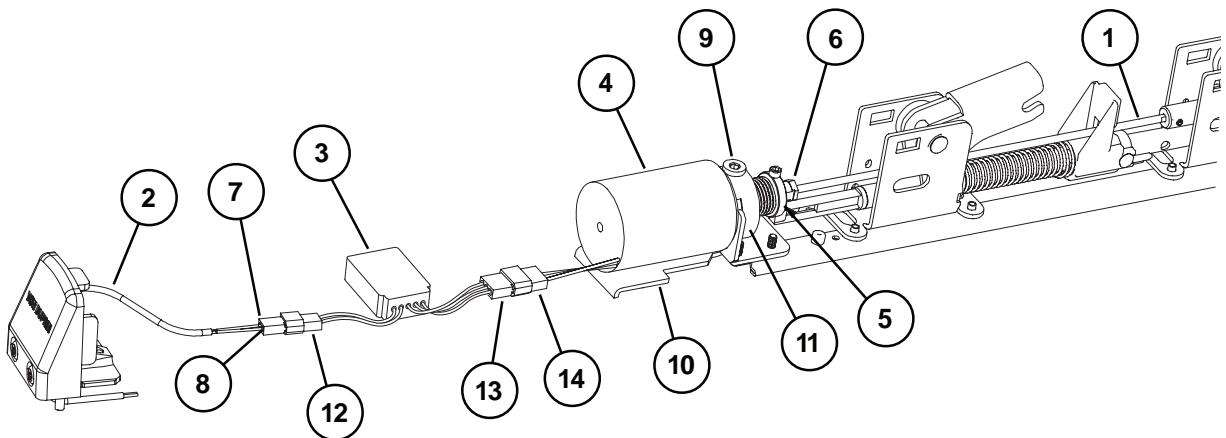
Item No.	Quantity	Part No.	Description	Finish
1	1	050171	LBR Fire Latch/Strike kit	
2	1	050509	LBR Fire Strike Plug	
3	1	090088	98/9927-F LBR Latch Spring Pkg of 10	
4	1	900980	98/9927-F LBR Latch Mounting Package	



HD-EL9827/HD-EL9927 HEX DOGGING/ELECTRIC LATCH RETRACTION OPTION - PANIC DEVICE ONLY

Item No.	Quantity	Part No.	Description	Finish
1	1	050531	EL Dogging Rod Kit - 3' device	
1	1	050532	EL Dogging Rod Kit - 4' device	
2	1	110388	EL 6' Cable and Connector	
3	1	050534	EL Potted Module	
4	1	050536	HD-EL Solenoid	
5	1	050537	HD-EL Solenoid Plunger	
6	1	050538	EL Dogging Rod Retainer	
7	1	050539	EL Receptacle Connector - 2 Position	
8	2	050540	EL Female Terminal	
9	1	050541	HD-EL Dog Screw	
10	1	050542	HD-EL Solenoid Bracket	
11	1	050543	HD-EL Dogging Spring	
12	1	990599	EL Plug Connector - 2 Position	
13	1	990857	EL Receptacle Connector - 3 Position	
14	1	990858	EL Plug Connector - 3 Position	
*	1	050384	HD-EL Conversion Kit - 3'	
*	1	050385	HD-EL Conversion Kit - 4'	

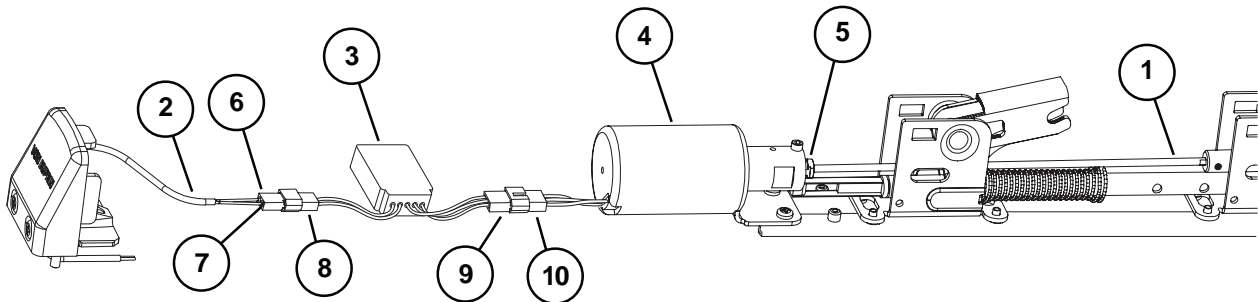
*Kit includes items 1-11 plus new control link, retaining ring, and baseplate screws.



EL9827/EL9927 SERIES ELECTRIC LATCH RETRACTION OPTION

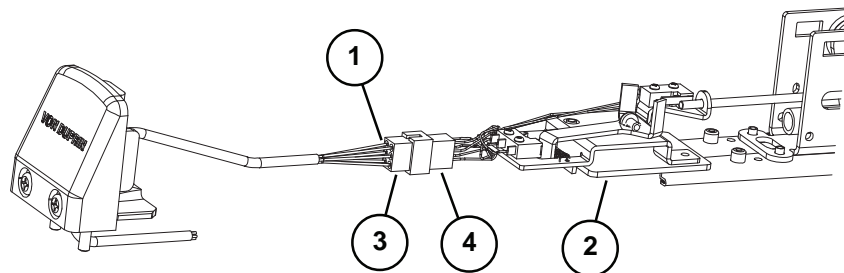
Item No.	Quantity	Part No.	Description	Finish
1	1	050531	EL Dogging Rod Kit - 3' device	
1	1	050532	EL Dogging Rod Kit - 4' device	
2	1	110388	EL 6' Cable and Connector	
3	1	050534	EL Potted Module	
4	1	050535	EL Solenoid Assembly	
5	1	050538	EL Dogging Rod Retainer	
6	1	050539	EL Receptacle Connector	
7	2	050540	EL Female Terminal	
8	1	990599	EL Plug Connector - 2 Position	
9	1	990857	EL Receptacle Connector - 3 Position	
10	1	990858	EL Plug Connector - 3 Position	
*	1	050070	EL Conversion Kit - 3'	
*	1	050078	EL Conversion Kit - 4'	

*Kit includes items 1-7 plus new control link pin, retaining ring, and baseplate screws.

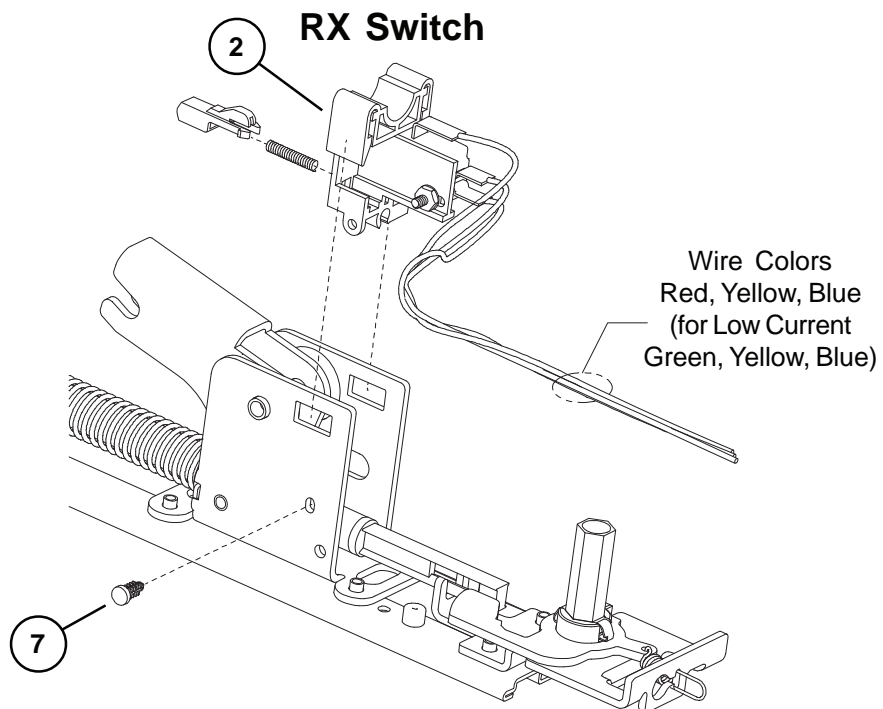
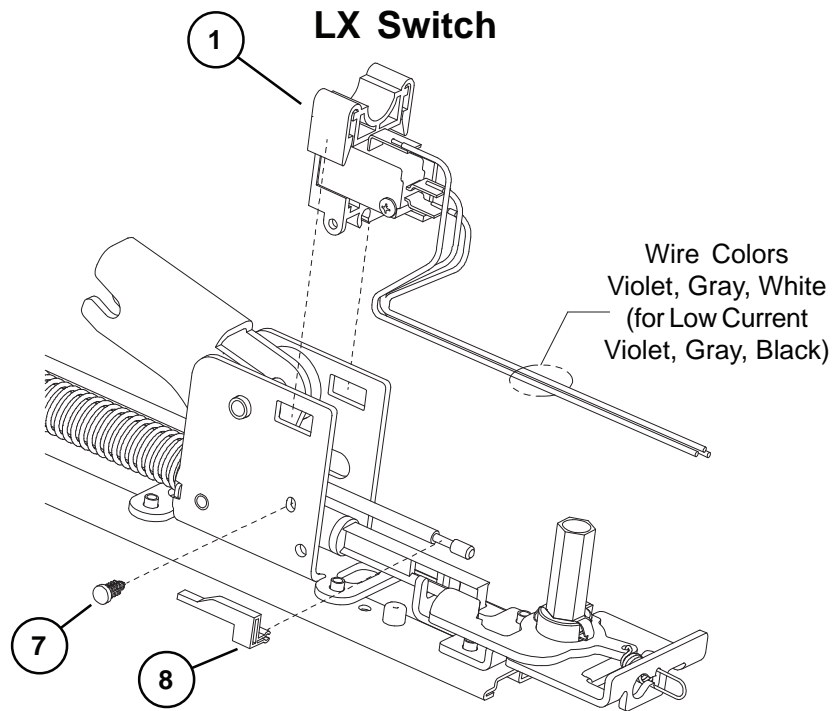


SS9827/SS9927 SERIES (SIGNAL SWITCH) OPTION

Item No.	Quantity	Part No.	Description	Finish
1	1	050544	SS Cable	
2	1	050545	SS Housing	
3	1	990601	SS Plug Connector - 6 Position	
4	1	990602	SS Receptacle Connector - 6 Position	

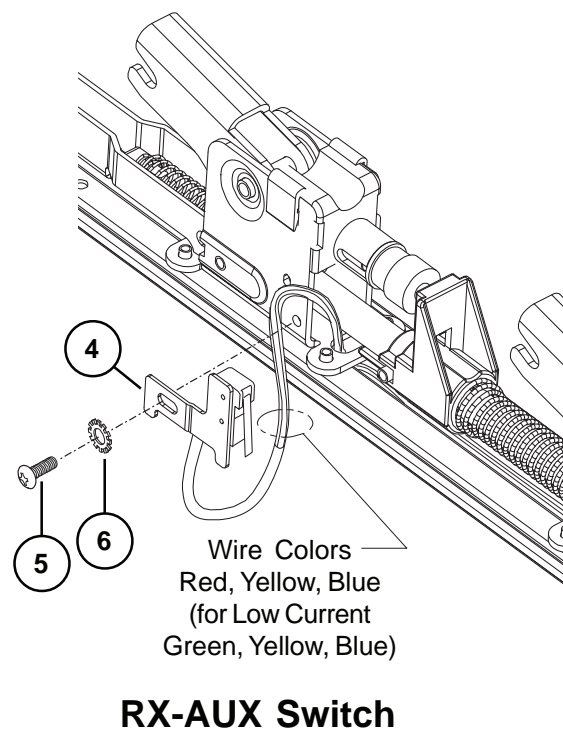
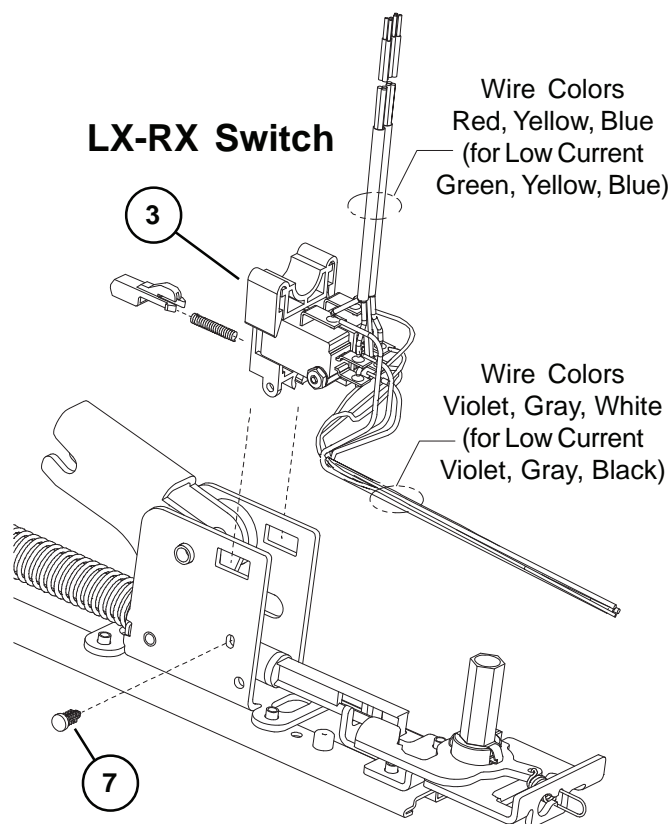


98/9927 SERIES LX (LATCH BOLT MONITOR) & RX (REQUEST TO EXIT) OPTIONS



98/9927 SERIES LX (LATCH BOLT MONITOR) & RX (REQUEST TO EXIT) OPTIONS

Item No.	Quantity	Part No.	Description	Finish
1	1	050254	LX Switch Kit 3' Device	
1	1	050255	LX Switch Kit 4' Device	
1	1	050247	LX-EL Switch Kit	
1	1	050283	LX-LC (Low Current) Switch Kit 3' Device	
1	1	050285	LX-LC (Low Current) Switch Kit 4' Device	
1	1	050287	LX-LC-EL (Low Current) Switch Kit	
2	1	050251	RX Switch Kit	
2	1	050281	RX-LC (Low Current) Switch Kit	
3	1	050256	LX-RX Switch Kit 3' Device	
3	1	050257	LX-RX Switch Kit 4' Device	
3	1	050259	LX-RX-EL Switch Kit	
3	1	050289	LX-RX-LC (Low Current) Sw. Kit 3' Device	
3	1	050291	LX-RX-LC (Low Current) Sw. Kit 4' Device	
3	1	050293	LX-RX-LC-EL (Low Current) Switch Kit	
2 & 4	1	050270	RX-2 Switch Kit	
4	1	050271	RX-AUX Switch Kit	
5	1	964558	8-32 x 5/16" PPHMS	
6	1	964019	#8 Washer	
7	1	090099	Pine Tree Clip (Pkg of 10)	
8	1	971091	LX Actuator	

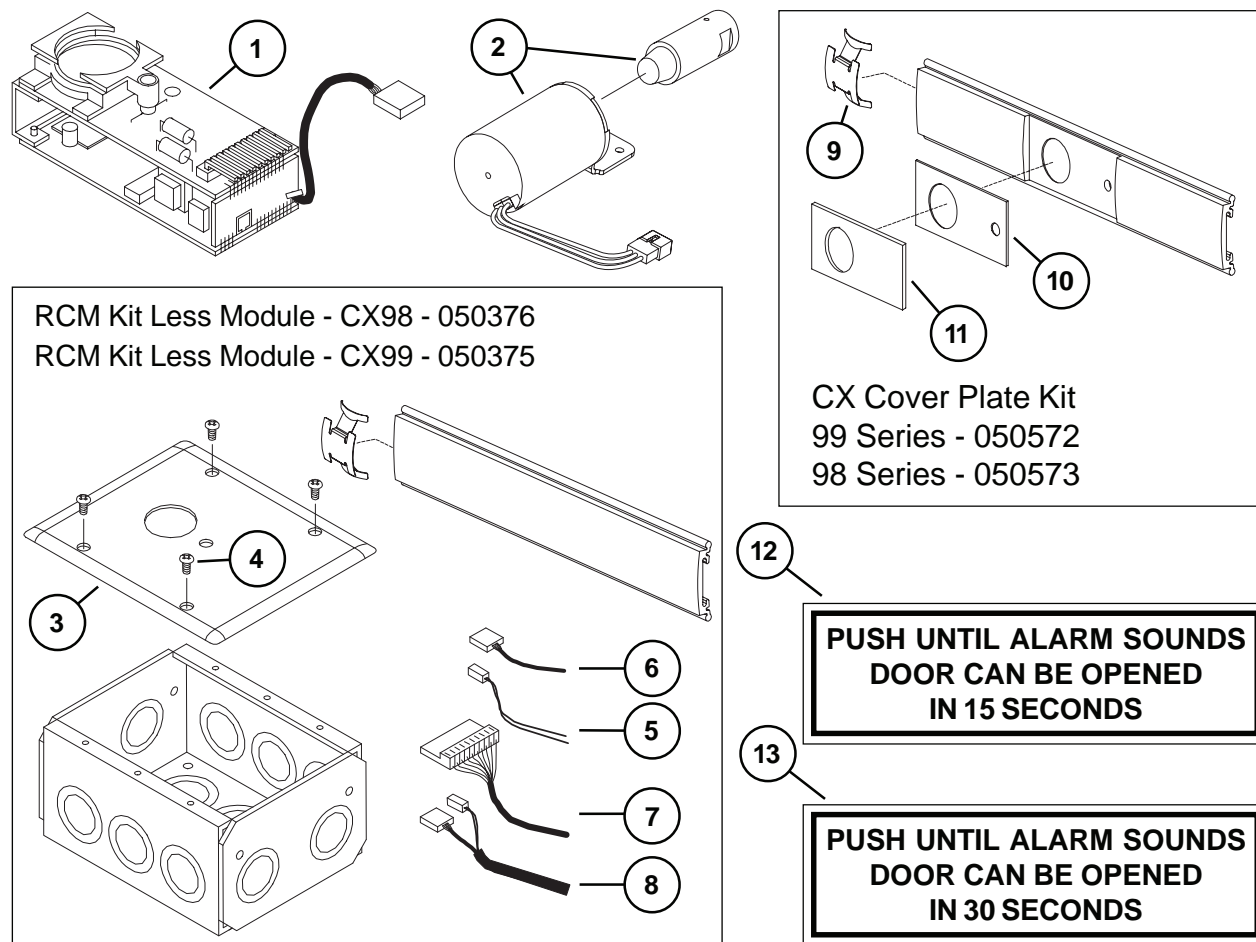


CX98/9927 SERIES CHEXIT AND CX-RCM OPTION

For discontinued Chexit devices made before August, 24 2015

Item No.	Quantity	Part No.	Description	Finish
1	1	050228	Chexit PCB Kit - 15 Second Release	
1*	1	050700	Chexit PCB Kit - 30 Second Release	
1	1	050701	Chexit PCB Kit - 0 Second Release	
1	1	050702	Chexit PCB Kit - Boca 15 Second Release	
1*	1	050703	Chexit PCB Kit - Boca 30 Second Release	
2	1	050533	CX Solenoid and Plunger	
3	1	113111	Faceplate and Adapter	X
4	4	963898	6-32 x 3/8" OPHMS Faceplate Screw	X
5	1	991338	RCM 2-Wire RX Cable	
6	1	991339	RCM 3-Wire Solenoid Cable	
7	1	112018	Chexit Wiring Assembly	
8	1	991336	CX-RCM Cable Assy - 5 Wire	
9	1	090036	Cover Plate Anti-rattle Spring (Pkg of 10)	
10	1	970513	LED Cover Mask - Chexit	
11	1	970519	LED Cover - Chexit	
12	1	113781	Sign 15 Second - Chexit	
13	1	113782	Sign 30 Second - Chexit	

*Over 15 second delay requires a letter of approval from the authority having local jurisdiction over the premises prior to the installation of the device. Allegion cannot grant such approval nor does it warrant local jurisdiction compliance.

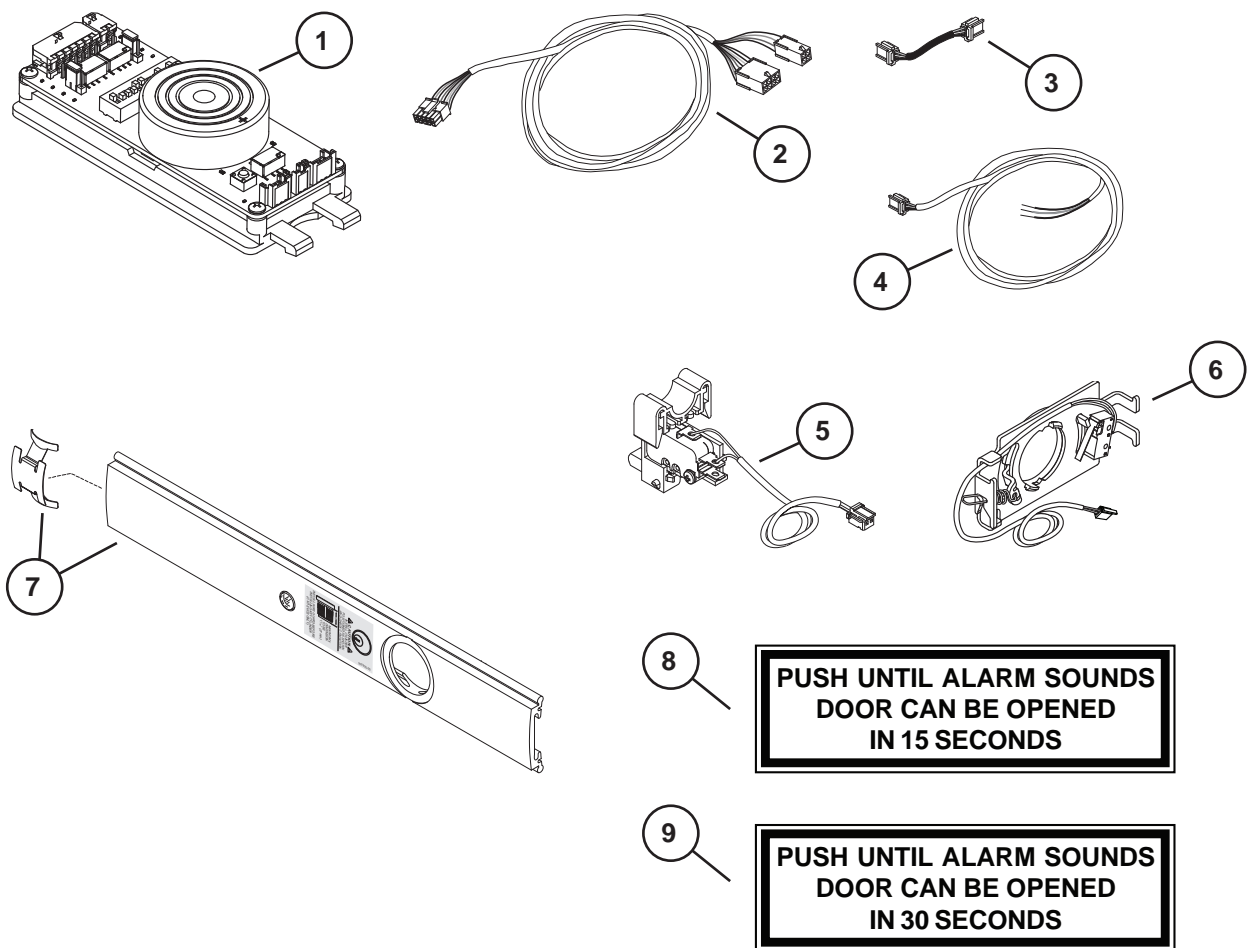


CX98/9927 SERIES CHEXIT

For new Chexit devices made after August, 24 2015

Item No.	Quantity	Part No.	Description	Finish
1	1	040086	Standard - 15 Second Release Delay	
1*	1	040087	Special Infinite Release Delay	
1*	1	040088	Special 30 Second Release Delay	
1	1	040089	Special 0 Second Release Delay	
1	1	040090	Special Mute 15 Second Release Delay	
1	1	040091	BOCA 15 Second Release Delay	
2	1	040191	CX Field Wiring Cable	
3	1	040192	CX Motor Cable	
4	1	040193	CX Trim Device Cable	
5	1	116717	CX RX Switch Assembly	
6	1	040170	CX Key Switch Assembly 3'	
6	1	040189	CX Key Switch Assembly 4'	
7	1	040093	CX33/99 Cover Plate Kit	X
7	1	040094	CX35/98 Cover Plate Kit	X
8	1	113781	Sign 15 Second	
9	1	113782	Sign 30 Second	

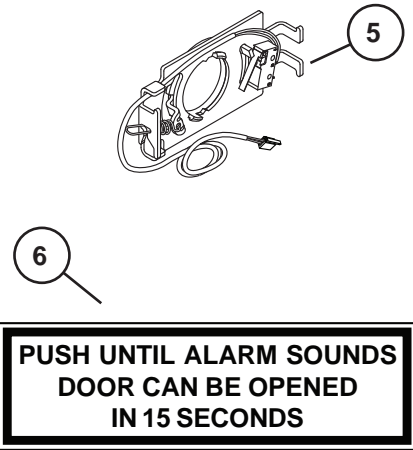
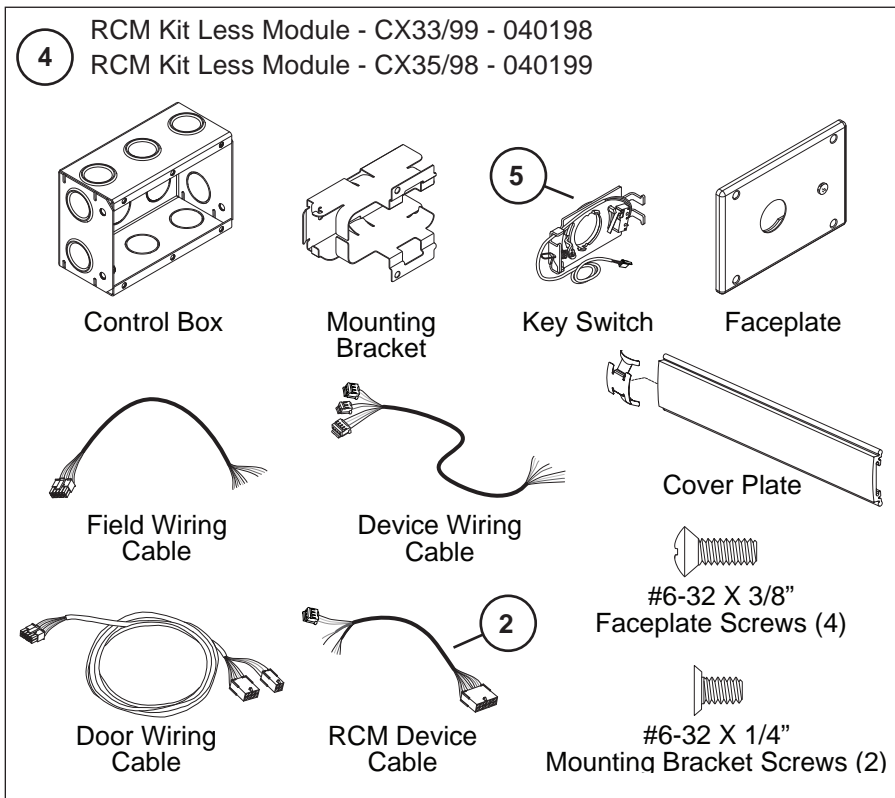
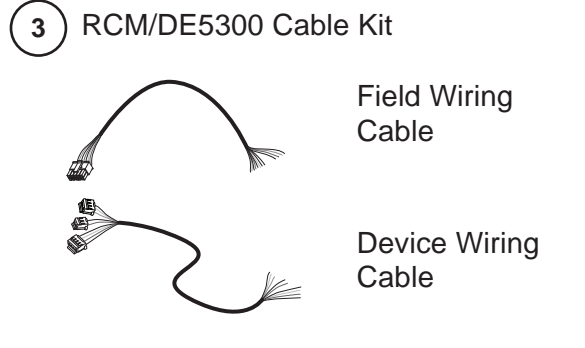
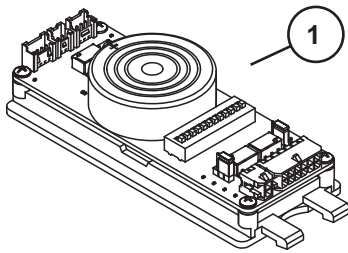
*Over 15 second delay requires a letter of approval from the authority having local jurisdiction over the premises prior to the installation of the device. Allegion cannot grant such approval nor does it warrant local jurisdiction compliance.



CX-RCM/DE5300 OPTIONS

For new RCM/DE5300 devices made after August, 24 2015

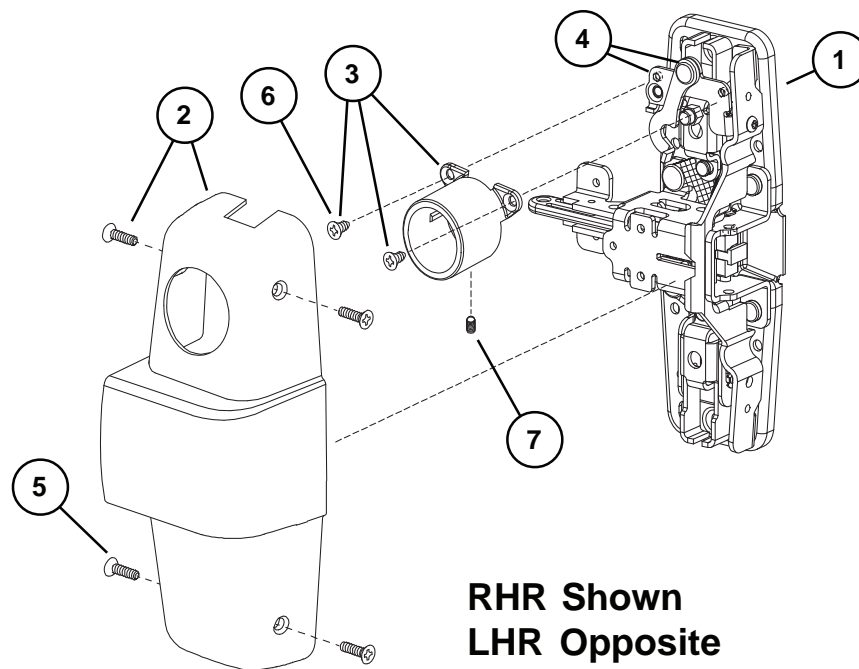
Item No.	Quantity	Part No.	Description	Finish
1	1	116711	Standard - 15 Second Release Delay	
2	1	040092	RCM Device Cable	
3	1	040188	DE5300/RCM Cable Kit	
4	1	040198	RCM Kit Less Module - CX33/99	X
4	1	040199	RCM Kit Less Module - CX35/98	X
5	1	040169	DE5300/RCM Key Switch Assy	
6	1	113781	Sign 15 Second	



CX-CD/SD98/9927 SERIES OPTION

Item No.	Quantity	Part No.	Description	Finish
1*	1	050550	SD98/9927 RHR Center Case Kit Less Cvr	
1*	1	050551	SD98/9927 LHR Center Case Kit Less Cvr	
2	1	050559	SD98/9927 RHR Center Case Cover Kit	X
2	1	050560	SD98/9927 LHR Center Case Cover Kit	X
3	1	112409	CD-CX/SD Cylinder Dog Housing	
4	1	112455	CX-CD/SD Cylinder Dog Bracket Kit RHR	
4	1	112456	CX-CD/SD Cylinder Dog Bracket Kit LHR	
5	4	900892	Center Case Cover Screws	X
6	2	PkgServ.1018	8-32 x 1/4" UFPHMS (Pkg of 20)	
7	1	964240	Bracket Set Screw	

*Parts shown are for the CX-CD/SD option. For other available center case parts refer to page 11.

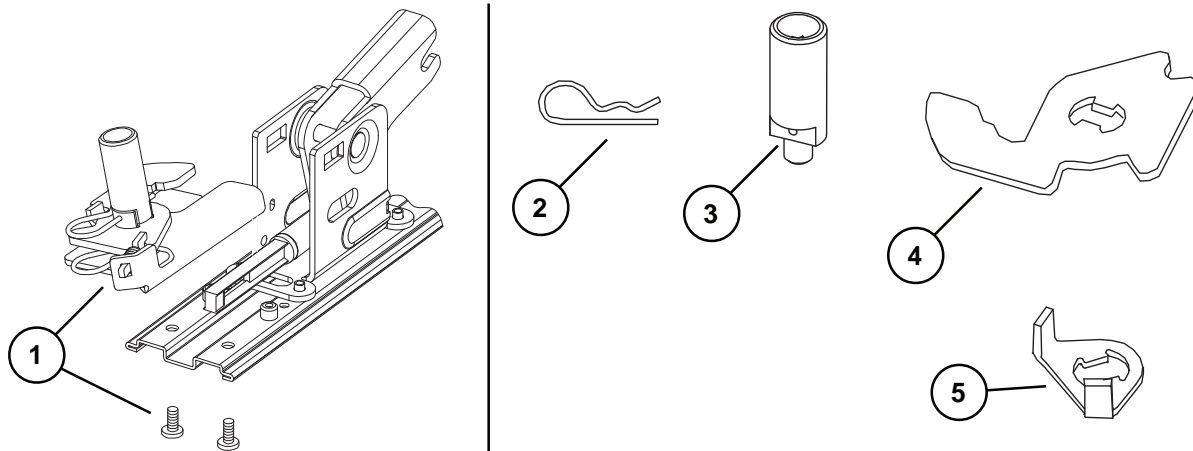


98/9927 SERIES SERVICE REPLACEMENT ITEMS

Item No.	Quantity	Part No.	Description	Finish
1	1	050153	Old Style Hex Dogging Replacement Kit	
2	1	963909	#22 Hitch Pin - Hex/CD Dogging Old Style	
3	1	968112	Old Style Hex Dog Shaft	
4	1	969941	Old Style Dogging Hook	
5	1	968116	Old Style CD Actuator Arm	
6	1	900905	Old Style End Cap and Bracket Assembly	X
7	1	970548	Old Style Cover Plate Stop - End Cap	
8	1	900901	Old Style End Cap Screw Package	X
9	1	971082	Old Style 98/99 End Cap - Stainless Steel	X
9	1	971083	Old Style 98/99 End Cap - Brass	X
9	1	971084	Old Style 98/99 End Cap - Bronze	X
9	1	971085	Old Style 98/99 End Cap - Aluminum	X

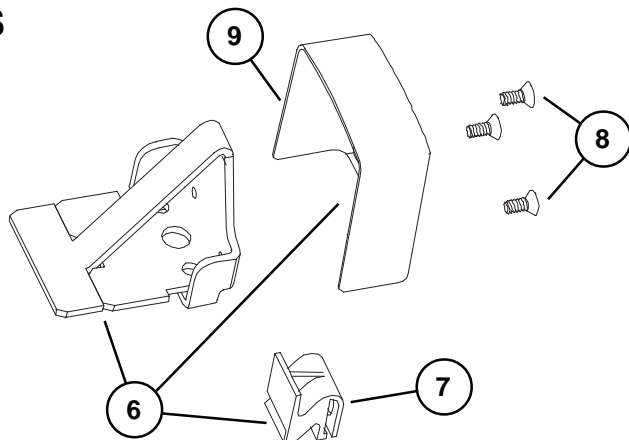
X in "Finish" column designates finished items; finish must be specified when ordering.

OLD STYLE DOGGING PARTS (FOR DEVICES SHIPPED BEFORE AUGUST 1997)



OLD STYLE END CAP PARTS (FOR DEVICES SHIPPED BEFORE JANUARY 2002)

Note: Newer style end cap kit shown on pages 4-5. Newer style end cap kit can be used on devices manufactured before January 2002, but mechanism case and cover plate on hinge stile must have a square cut and a clean edge.



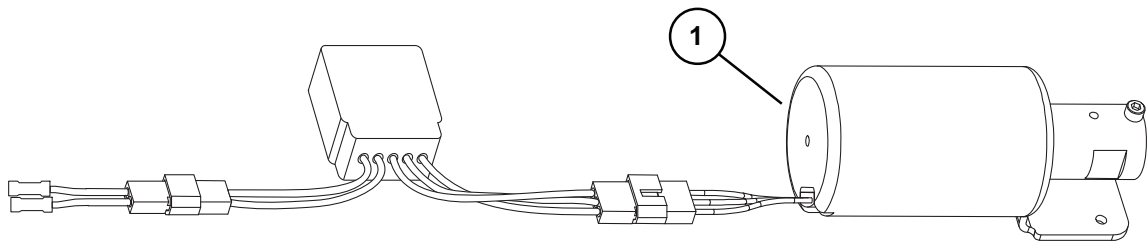
98/9927 SERIES SERVICE REPLACEMENT ITEMS

Item No.	Quantity	Part No.	Description	Finish
1	1	050218	EL Solenoid Replacement Kit	

X in "Finish" column designates finished items; finish must be specified when ordering.

EL SOLENOID REPLACEMENT KIT (FOR DEVICES SHIPPED BEFORE JANUARY 1987)

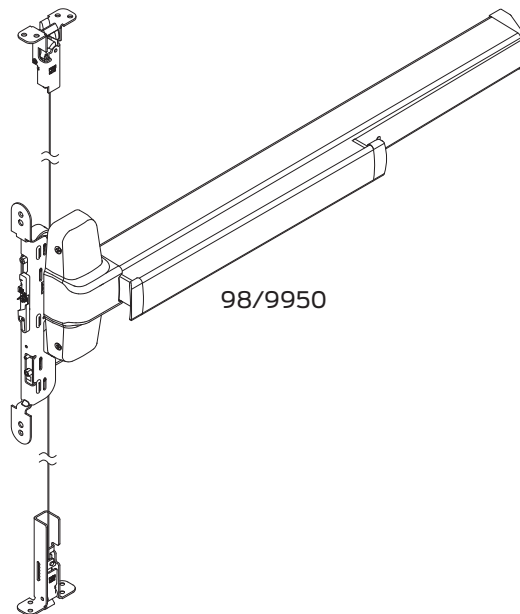
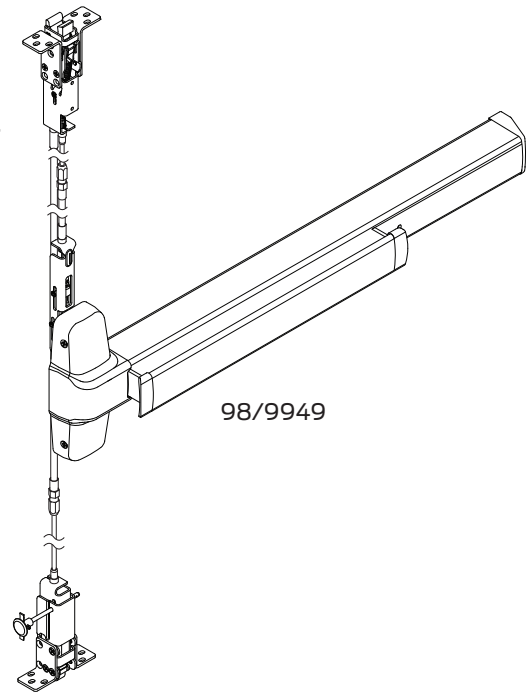
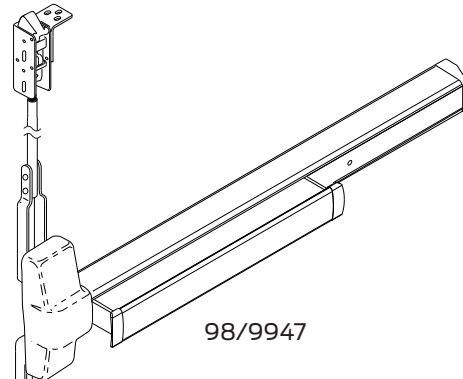
Note: This kit replaces the old style EL solenoid parts with the new style.



VON DUPRIN®

98/9947,
98/9949,
& 98/9950
Series Exit
Devices

Service manual



INDEX

98/9947, 98/9949, & 98/9950WDC Devices	
Basic Device	4-5
Panic and Fire Metal Door Concealed Vertical Rods and Latches	6-7
WDC Wood Door Concealed Vertical Rods and Latches	8-9
Panic and Fire Metal Door Concealed Vertical Cables and Latches	10-11
WDC Wood Door Concealed Vertical Cables and Latches	12-15
Baseplate Assembly	16
Center Case Assembly	17
LBR (Less Bottom Rod) / LBL (Less Bottom Latch) Fire Latch Kit	17
 Variations of the Basic Device	
CD (Cylinder Dogging)	4-5
HD-EL (Hex Dogging/Electric Latch Retraction)	18
EL (Electric Latch Retraction)	19
SS (Signal Switch)	19
RX (Request to Exit)	20-21
LX (Latch Bolt Monitoring)	20-21
CX (Chexit Discontinued)	22
CX (Chexit New)	23
CX (Chexit New RCM Option)	24
CX-CD/SD (Chexit/Special Dogging)	25
ALK (Exit Alarm Kit)	26
 Service Replacement Items	27-28
 General Information	
Introduction	2
How to Order	2
Part Number Changes	2
Finishes	3
Outside Trim Functions	3
Strikes	3

INTRODUCTION

This manual contains a listing of replaceable parts and assemblies for the 98/9947 Concealed Vertical Rod Exit Devices and the 98/9949 / 98/9950WDC Concealed Vertical Cable Exit Devices. 98 Series and 99 Series devices are almost identical. The 99 Series has a grooved case; the 98 series has a smooth case.

HOW TO ORDER

Some parts are sold separately. Other items are available as part of a kit or multiple quantity package. For the best possible service when ordering replacement parts or assemblies, please provide the following information:

- Part number or assembly number
- Description
- Quantity needed
- Finish desired (if available finished)
- Date of original purchase (if known)

To find out the name of your local Von Duprin distributor or sales representative, contact:

Von Duprin Division
Allegion
2720 Tobey Drive
Indianapolis, Indiana 46219
Phone: (877) 671-7011

PART NUMBER AND AVAILABILITY CHANGES

This manual was designed to help illustrate the replacement parts and kits that are available for sale. Because of changes to the product and/or manufacturing process, part numbers and availability can change over time.

98/99 SERIES FINISHES

OUTSIDE TRIM FUNCTIONS

992L 996L 992L-NL** 996L-NL**	992L-BE* 996L-BE* 992L-DT*** 996L-DT***	992EO 996EO	994L 994L-NL**	994L-BE* 994L-DT***	994EO			
991K 991K-NL**	991K-BE* 991K-DT***	990EO	990DT***	990NL**	990TP	990TP-BE*	376T	110NL****

U.S. Std Reference	BHMA Reference	Description
US3	605	Polished Brass
US4	606	Dull Brass
US10	612	Dull Bronze
US15	619	Satin Nickel
US26	625	Polished Chrome
US26D	626	Dull Chrome
US28	628	Anodized Alum. (Clear)
US32D	630	Satin Stainless Steel
313AN	710	Anodized Alum. (313) Dark Bronze
315AN	711	Anodized Alum. (Black)

* "BE" (Blank Escutcheon) no cylinder used - lever always active
 ** "NL" (Night Latch) rigid lever - key retracts latch bolt

*** "DT" (Dummy Trim) rigid lever for pull operation
 **** Optional Pull needs to be added

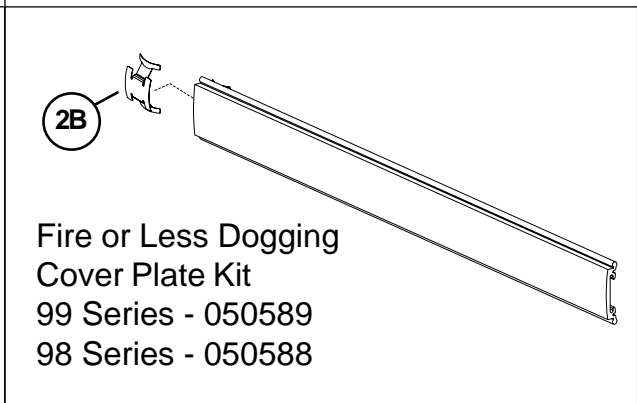
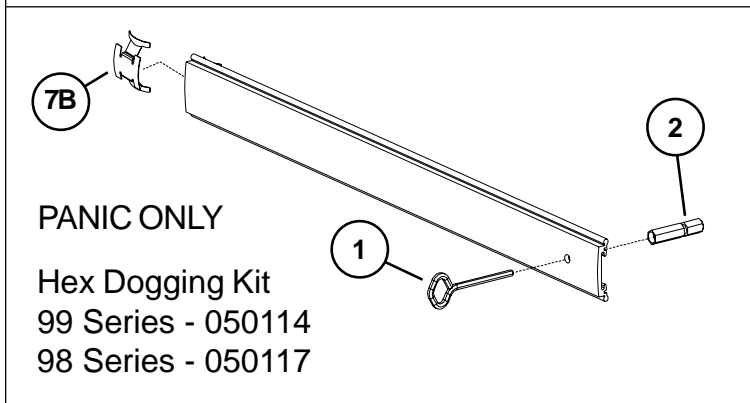
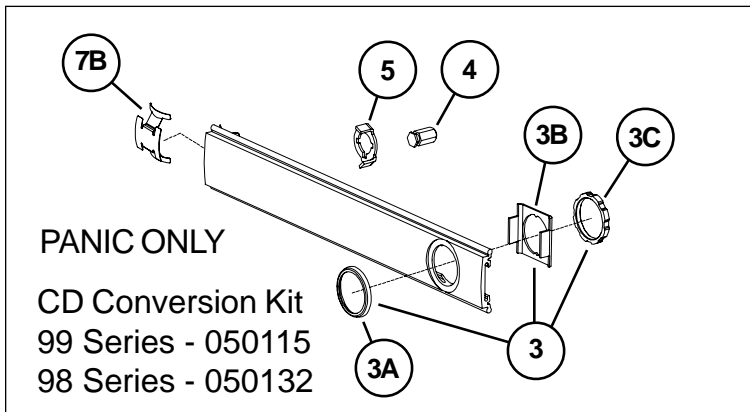
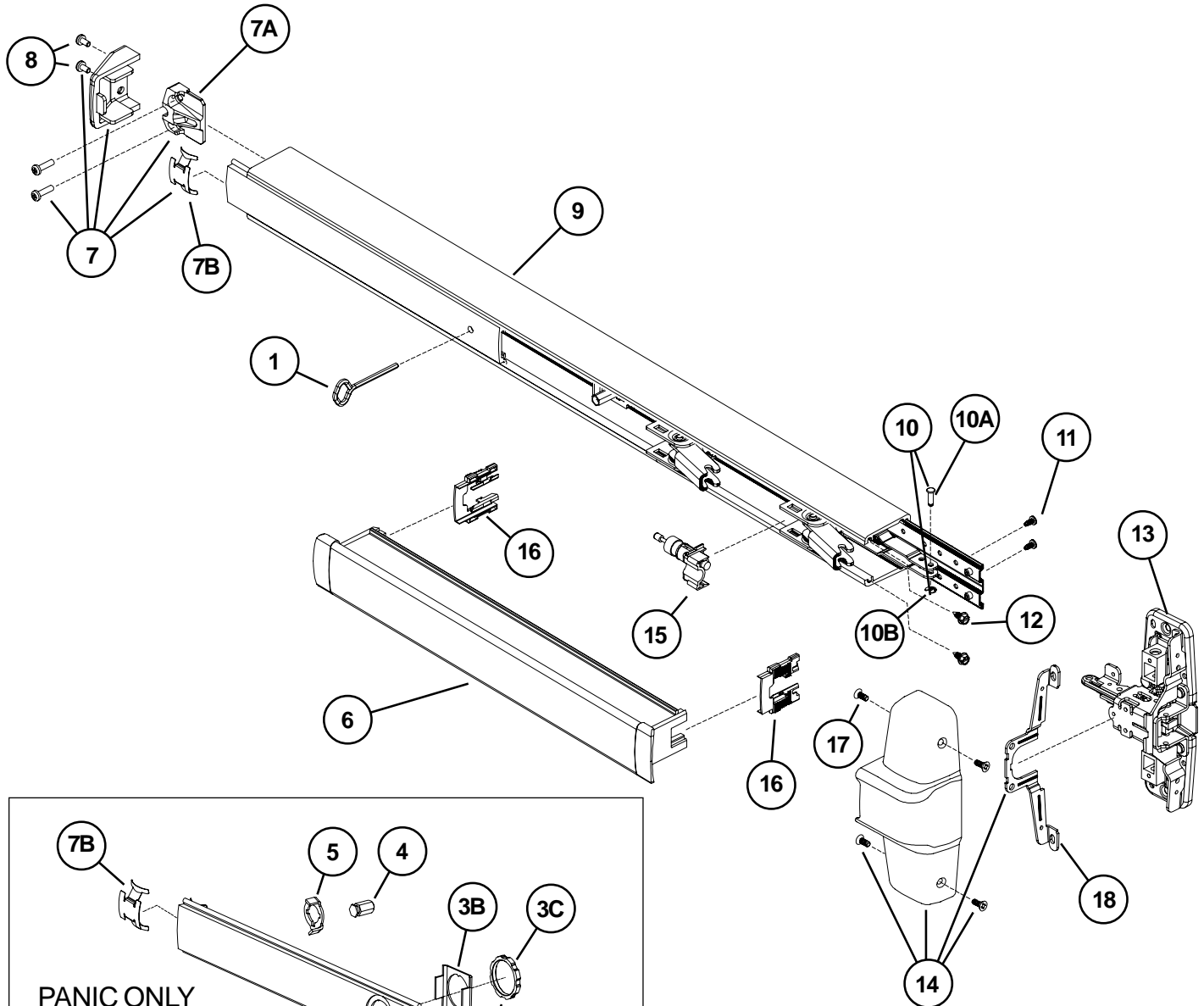
98/9947 STRIKES

98/9949 STRIKES

98/9950 STRIKES

<p>Screw Pkg 900285</p> <p>338 Strike (Top) Standard Panic or Fire Exit Hardware</p>	<p>385A Strike (Bottom) Panic or Fire Exit Hardware</p>	<p>2400741 349 Bottom Strike Kit Standard Panic or Fire Exit Hardware</p>	<p>Includes top latch mounting screws</p> <p>23945223 249 Top Strike Kit Standard Panic or Fire Exit Hardware</p>	<p>Includes shims and top latch mounting screws</p> <p>24665002 150 Top Strike Kit Standard Panic or Fire Exit Hardware</p>
<p>Screw 964191</p> <p>283 Strike (Top) Wood Frame</p>	<p>304L Strike (Bottom) Panic or Fire Exit Hardware</p>	<p>24230914 338 Strike Filler Plate (Top) used for 47 Series retrofit</p>	<p>47244841 WDC Strike Filler Plate (Top) used for 47 Series retrofit</p>	<p>Includes bottom latch mounting screws</p> <p>24664997 450 Bottom Strike Kit Standard Panic or Fire Exit Hardware</p>

**98/9947 & 98/9949 PANIC DEVICE
98/9947-F & 98/9949-F FIRE DEVICE**



**98/9947 & 98/9949 PANIC DEVICE
98/9947-F & 98/9949-F FIRE DEVICE**

Item No.	Quantity	Part No.	Description	Finish
	1	900563	98/9947 & 98/9949 Series Mtg. Pkg. (1-3/4)	
	1	900568	98/9947 & 98/9949 Series Mtg. Pkg. (2-1/4)	
1	1	090085	227 Dog Key 5/32" Hex (Pkg of 10)	
1	1	090005	227 Dog Key 5/32" Hex (Pkg of 2)	
2	1	090040	Hex Dog Shaft (Pkg of 2)	
3	1	107813	Cylinder Mounting Pkg	X
3A	1	050525	Cylinder Collar	X
3B	1	050490	Cylinder Locating Washer - CD/SS	
3C	1	050526	Cylinder Locknut	
4	1	090046	CD Dogging Plug (Pkg of 2)	
5	1	090045	CD Actuator Arm (Pkg of 2)	
6	1	*PBKIT	98/99 Series Push Bar Retrofit Kit - 3' Door	X
6	1	*PBKIT	98/99 Series Push Bar Retrofit Kit - 4' Door	X
7	1	050014	98/99 Series End Cap Kit	X
7A	1	050524	Impact Resistant End Cap Bracket	
7B	1	090036	Cover Plate Anti-rattle Spring (Pkg of 10)	
8	1	900597	Device End Cap and C/Case Screw Pkg.	X
9	1	968144	99 Series Mechanism Case - 3' Door	X
9	1	968146	99 Series Mechanism Case - 4' Door	X
9	1	970191	98 Series Mechanism Case - 3' Door	X
9	1	970192	98 Series Mechanism Case - 4' Door	X
10	1	050529	98/99 Series Control Link Pin & Ret. Ring	
10A	1	090031	98/99 Series Control Link Pin (Pkg of 10)	
10B	1	090107	Retaining Ring (Pkg of 10)	
11	2	090037	#8-32 x 3/8" Baseplate Screw (Pkg of 10)	
12	2	090073	Mechanism Case Bracket Screw (Pkg of 10)	
13***	1	050022	98/9947-F & 98/9949-F C/Case Kit Less Cover	
14**	1	050073	98/9947-F & 98/9949-F C/Case Cover Kit	X
15	1	050491	Shock Absorber & Holder Assembly	
16	2	090049	Push Bar Guide (Pkg of 10)	
17	4	900892	Center Case Cover Screws (Pkg of 4)	X
18	1	050564	Center Case Cover Bracket	

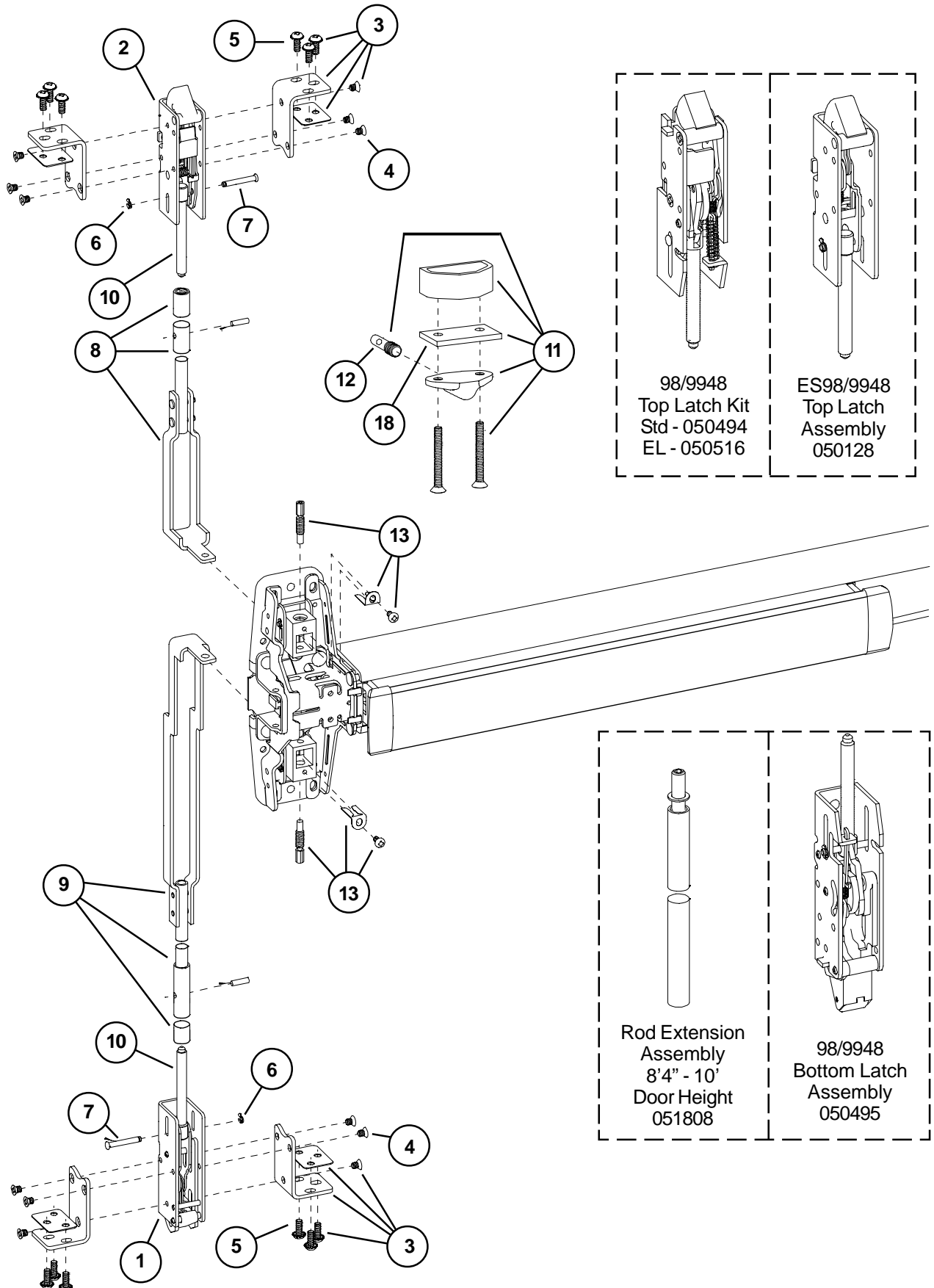
X in "Finish" column designates finished items; finish must be specified when ordering.

* To order, specify device type, size, and finish. Example: PBKIT 98 3' US28

**Includes parts for three-piece cover conversion.

***Center case assembly parts shown on page 17.

98/9947 & 98/9947-F METAL DOOR VERTICAL RODS AND LATCHES



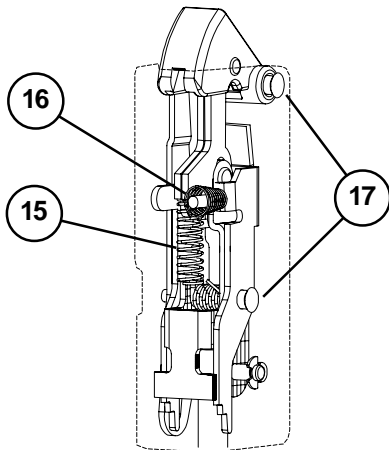
98/9947 & 98/9947-F METAL DOOR VERTICAL RODS AND LATCHES

Item No.	Quantity	Part No.	Description	Finish
*	1	050047	98/9948 Latch Retrofit Kit-(non EL)	
*	1	050048	98/9948-F Latch Retrofit Kit-(non EL)	
*	1	050522	EL98/9948 Latch Retrofit Kit	
*	1	050523	EL98/9948-F Latch Retrofit Kit	
1**	1	050493	98/9947 Bottom Latch Kit	
2**	1	050492	98/9947 Top Latch Kit	
3**	2	109324	98/9947 Latch Mtg Bracket	
3**	2	112868	98/9948 Latch Mtg Bracket	
4	6	090059	Latch Bracket Mtg Screw (Latch)	
5	6	090061	Latch Bracket Mtg Screw (Metal Door)	
5	6	900856	Latch Bracket Mtg Screw (Wood Door)	
6	2	090063	Retaining Ring (Pkg of 10)	
7	2	090064	Latch Link Pin (Pkg of 10)	
8	1	050574	Adjustable Top Rod 6'8" - 8'4" Door	
9	1	050575	Adjustable Bottom Rod Kit	
10	2	090071	98/9947 Rod Connecting Screw (Pkg of 2)	
10	2	090072	98/9948 Rod Connecting Screw (Pkg of 2)	
11	1	106222	Ratchet Release Pkg	X
12	1	090070	Ratchet Release Screw	
13	1	900620	98/9947 Adjusting Screw Package (Pkg of 2)	
13	1	900898	98/9947 Adjusting Screw LBR Package	
14	1	090065	Bolt Return Spring (Pkg of 10)	
15	1	090066	Top Latch Compression Spring (Pkg of 10)	
16	1	090069	Ratchet Lever Spring (Pkg of 2)	
17	1	090062	Btm Latch Case Spirol Pin (Pkg of 10)	
18	1	970978	98/9947 Ratchet Release Spacer	

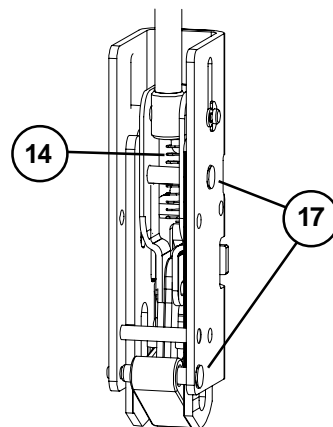
X in "Finish" column designates finished items; finish must be specified when ordering.

*Retrofit kit includes items 1-3 to convert 98/9947 to 98/9948.

**Each latch kit (item 1-2) includes only one latch mtg bracket (item 3). Panic device uses only 1 mounting bracket per latch while Fire (F) device uses 2 per latch. For service replacement only. Refer to retrofit kits to convert 98/9947 to 98/9948.

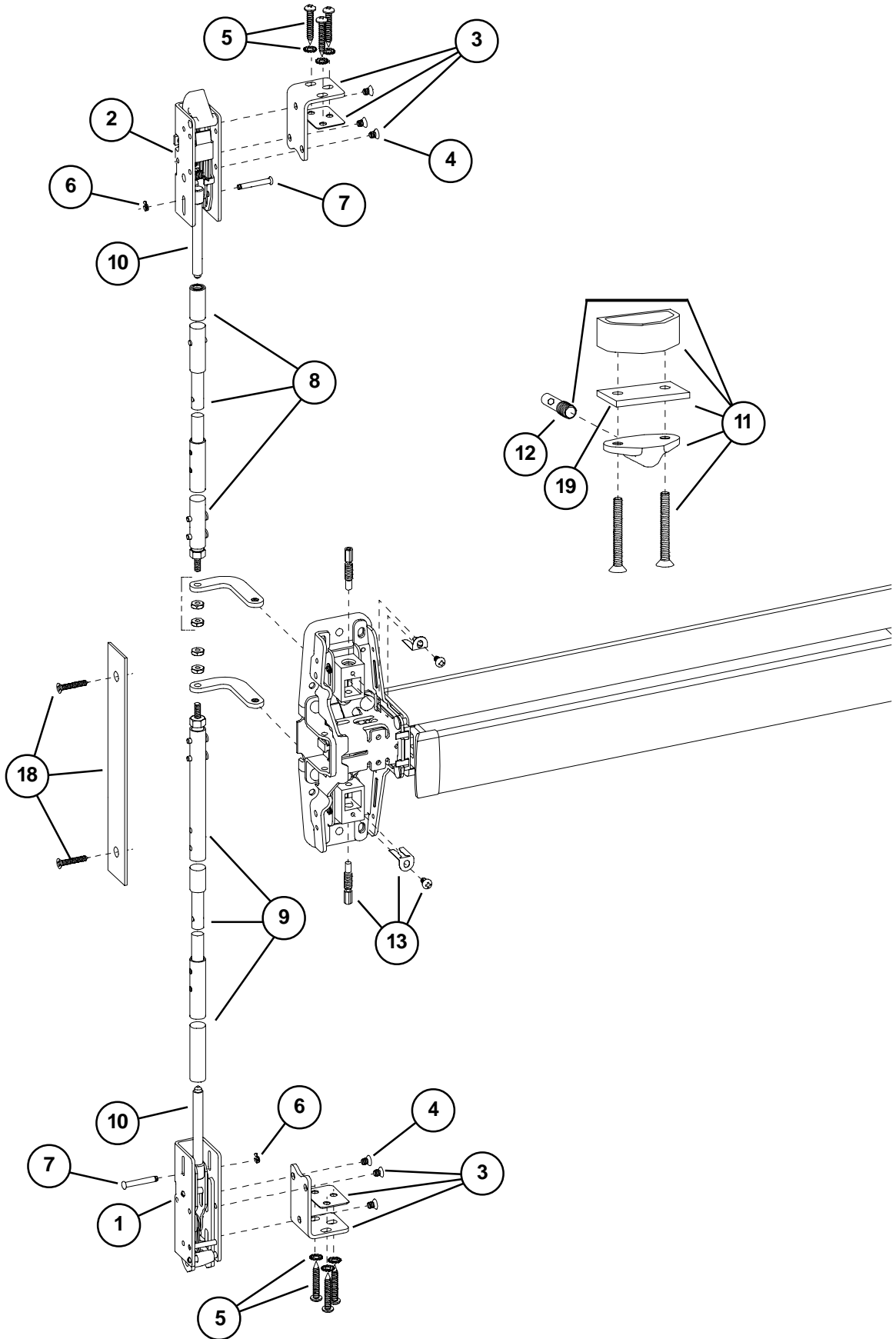


98/9947 Top Latch



98/9947 Bottom Latch

98/9947 & 98/9947-F WDC (WOOD DOOR CONCEALED) VERTICAL RODS AND LATCHES

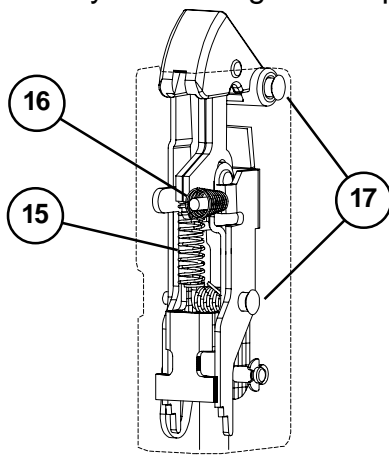


98/9947 & 98/9947-F WDC (WOOD DOOR CONCEALED) VERTICAL RODS AND LATCHES

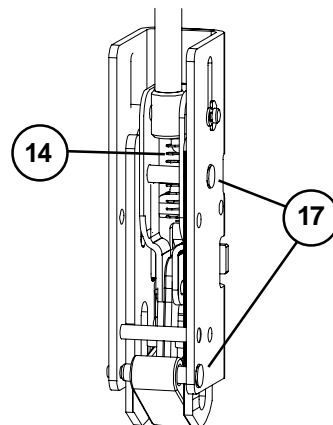
Item No.	Quantity	Part No.	Description	Finish
1*	1	050493	98/9947 Bottom Latch Kit	
2*	1	050492	98/9947 Top Latch Kit	
3*	2	109324	98/9947 Latch Mtg Bracket	
4	6	090059	Latch Bracket Mtg Screw (Latch)	
5	1	900856	WDC Auxiliary Mtg. Package	
6	2	090063	Retaining Ring (Pkg of 10)	
7	2	090064	Latch Link Pin (Pkg of 10)	
8	1	050582	WDC Adjustable Top Rod 6'8" - 8'4" Door	
9	1	050583	WDC Adjustable Bottom Rod Kit	
10	2	090071	98/9947 Rod Connecting Screw (Pkg of 2)	
10	2	090072	98/9948 Rod Connecting Screw (Pkg of 2)	
11	1	106222	Ratchet Release Pkg	X
12	1	090070	Ratchet Release Screw (Pkg of 2)	
13	1	900620	98/9947/48 Rod Adjust Pkg	
13	1	900898	LBR Adjusting Screw Pkg	
14	1	090065	Bolt Return Spring (Pkg of 10)	
15	1	090066	Top Latch Compression Spring (Pkg of 10)	
16	1	090069	Ratchet Lever Spring (Pkg of 2)	
17	1	090062	Btm Latch Case Spirol Pin (Pkg of 10)	
18	1	050088	98/9947WDC & 98/9949WDC Scalp Plate	X
19	1	970978	98/9947 Ratchet Release Spacer	

X in "Finish" column designates finished items; finish must be specified when ordering.

*Each latch kit (item 1-2) includes only one latch mtg bracket (item 3). All WDC devices require only 1 mounting bracket per latch.

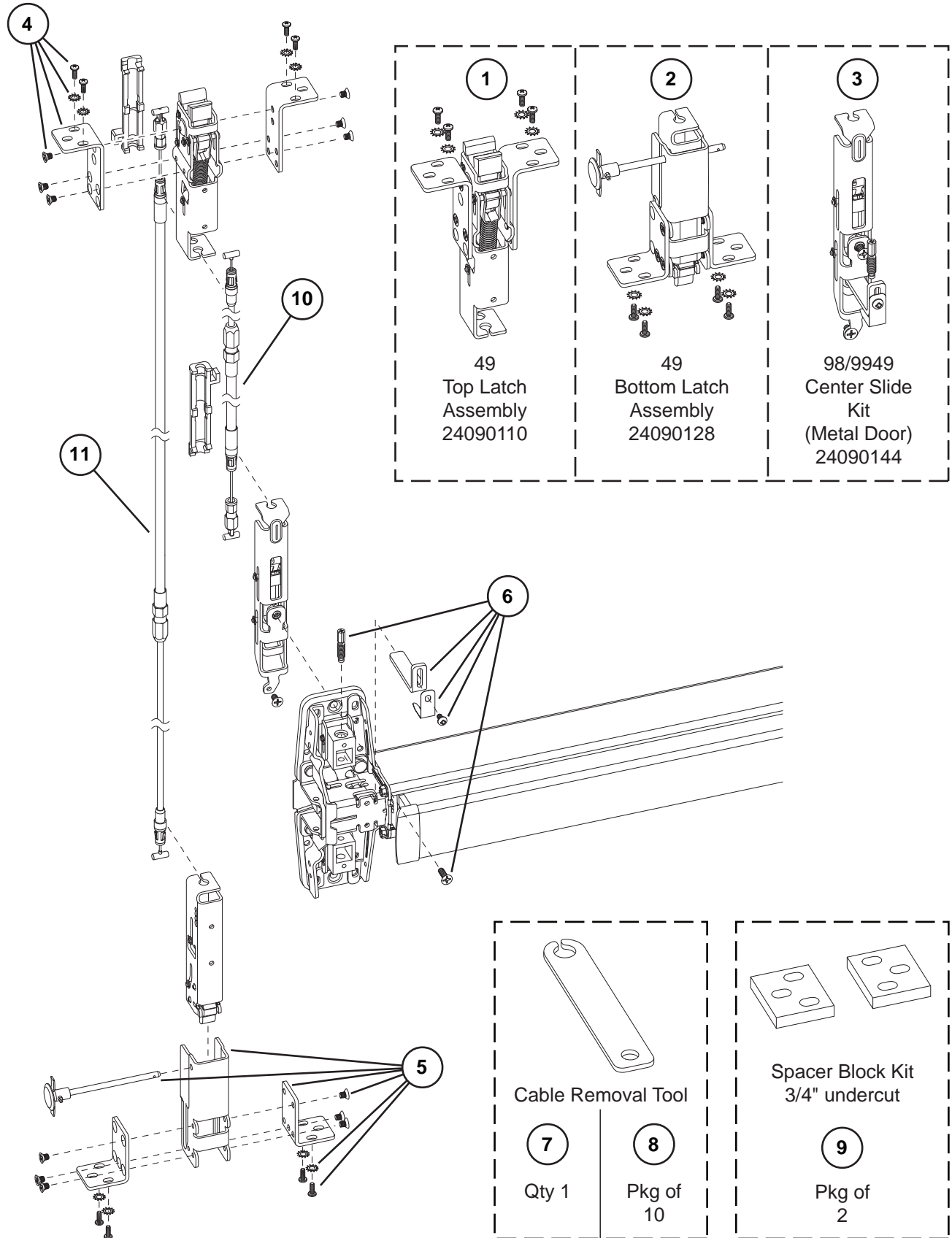


98/9947 Top Latch



98/9947 Bottom Latch

98/9949 & 98/9949-F METAL DOOR VERTICAL CABLES AND LATCHES



98/9949 & 98/9949-F METAL DOOR VERTICAL CABLES AND LATCHES

Item No.	Quantity	Part No.	Description	Finish
1 *	1	24090110	49 Top Latch Assembly	
2	1	24090128	49 Bottom Latch Assembly	
3	1	24090144	98/9949 Center Slide Kit (Metal Door)	
4 *	1	23946429	49 Top Mounting Pkg	
5	1	23946437	49 Bottom Mounting Pkg	
6	1	23946445	98/9949 HM/AL Center Slide Mounting Pkg	
7	1	24052979	Cable Removal Tool	
8	10	24090706	Cable Removal Tool (Pkg of 10)	
9	2	24231516	Spacer Block Kit - 3/4" undercut (Pkg of 2)	

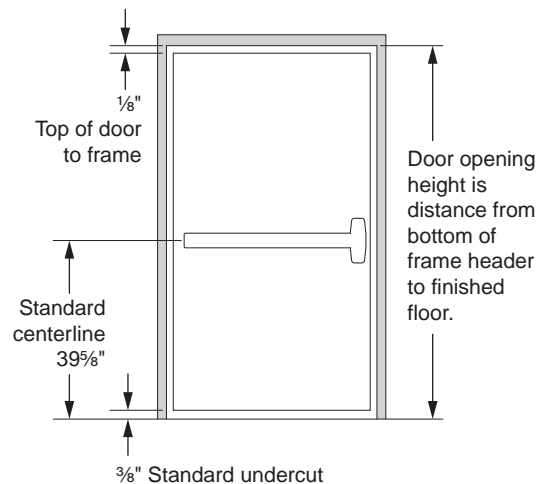
*A cable removal tool is included with the assembly/package.

Each latch assembly includes two latch mounting brackets.

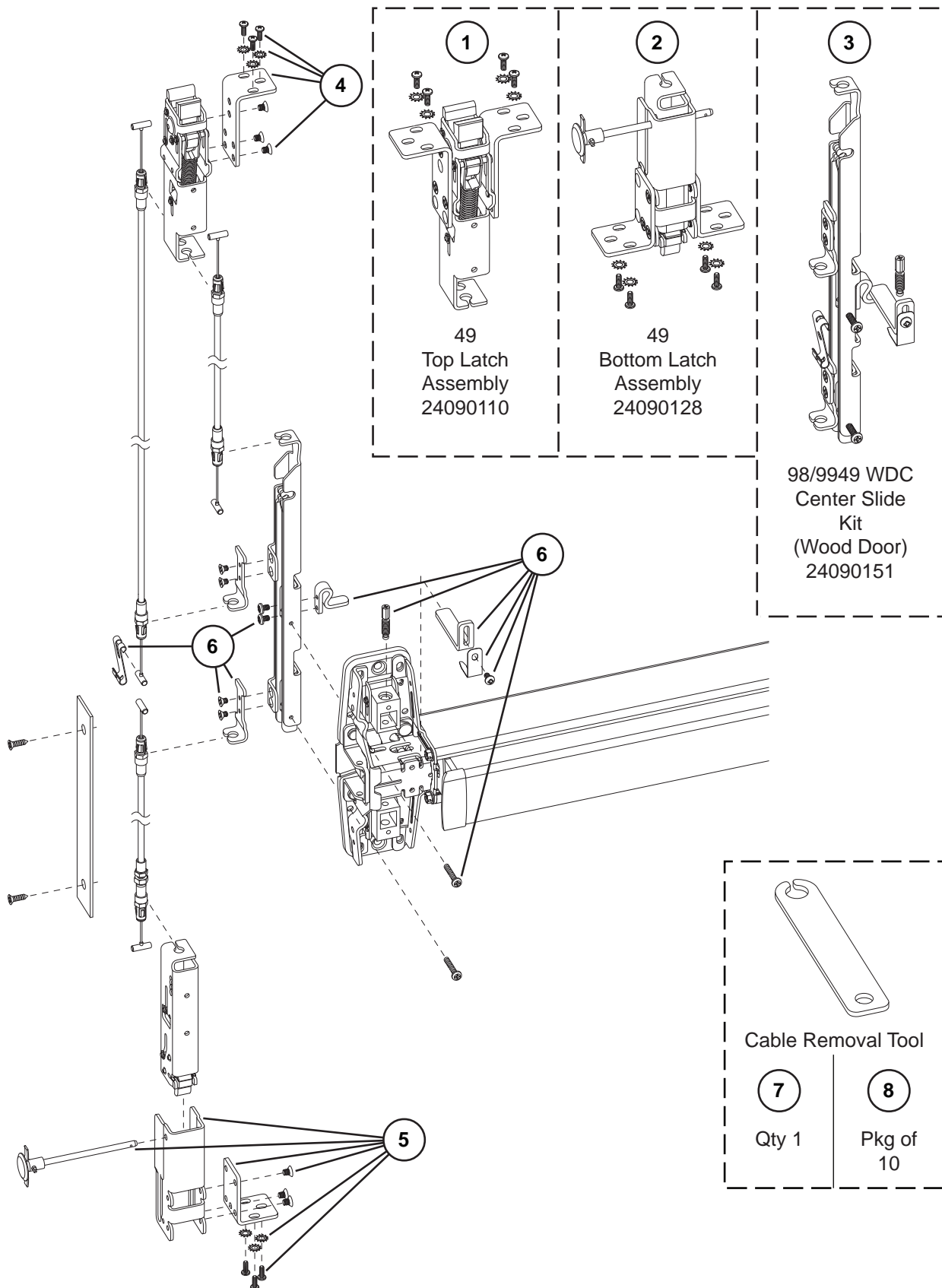
STANDARD SIZE CABLES

Item No.	Quantity	Part No.	Description / Door Opening Height *	Finish
10	1	47250175	Top Cable (6' 10" - 8' 0")	
10	1	47250176	Top Cable (8' 0" - 9' 2")	
10	1	47250177	Top Cable (9' 2" - 10' 4")	
11	1	47250178	Bottom Cable (6' 10" - 8' 0")	
11	1	47250179	Bottom Cable (8' 0" - 9' 2")	
11	1	47250180	Bottom Cable (9' 2" - 10' 4")	

*Based on standard centerline of 39 $\frac{5}{8}$ " from finished floor



98/9949 & 98/9949-F WDC (WOOD DOOR CONCEALED) VERTICAL CABLES AND LATCHES



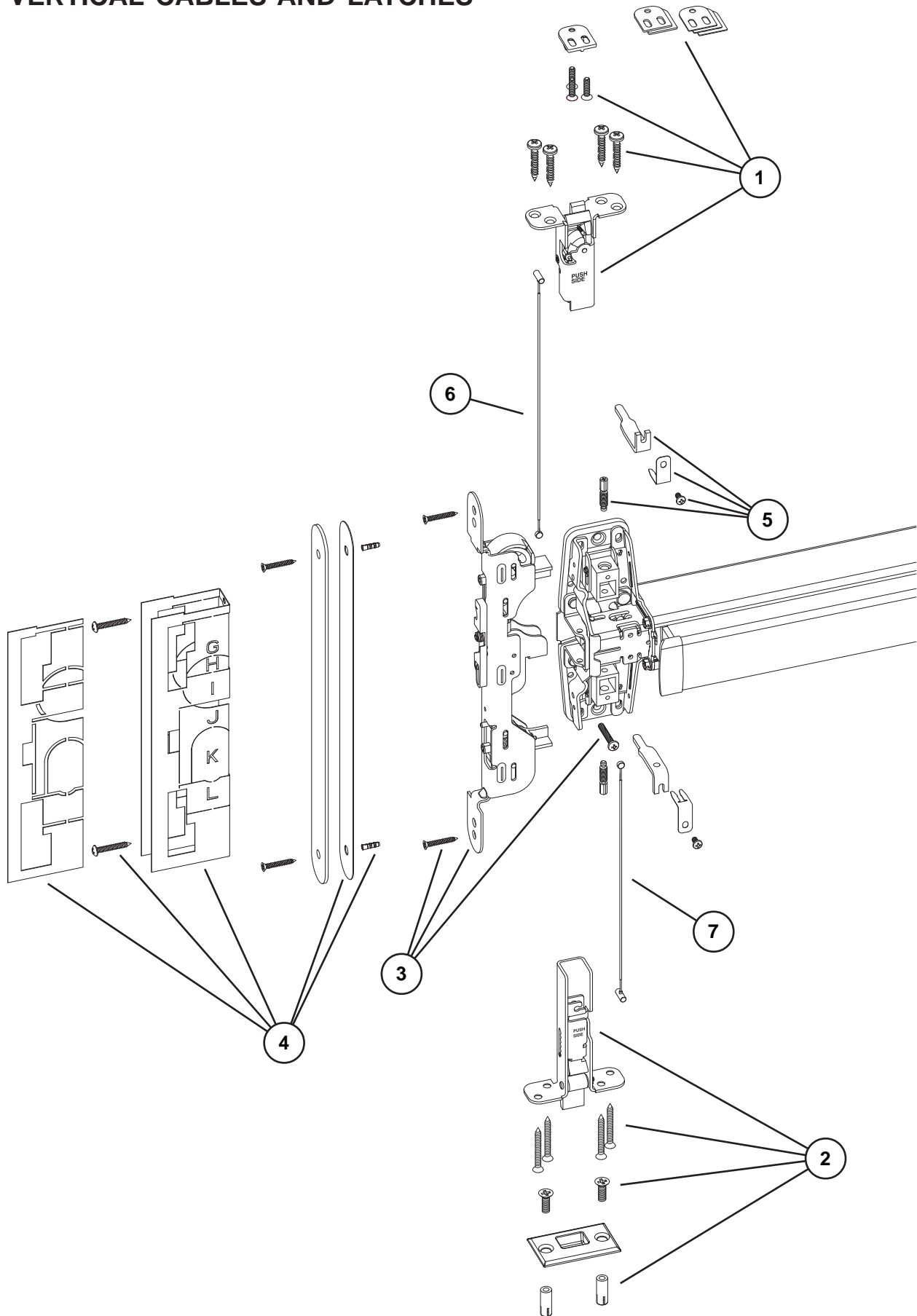
**98/9949 & 98/9949-F WDC (WOOD DOOR CONCEALED)
VERTICAL CABLES AND LATCHES**

Item No.	Quantity	Part No.	Description	Finish
1 *	1	24090110	49 Top Latch Assembly	
2	1	24090128	49 Bottom Latch Assembly	
3 *	1	24090151	98/9949 WDC Center Slide Kit (Wood Door)	
4 *	1	23946429	49 Top Mounting Pkg	
5	1	23946437	49 Bottom Mounting Pkg	
6	1	24010902	98/9949 WDC Center Slide Mounting Pkg	
7	1	24052979	Cable Removal Tool	
8	10	24090706	Cable Removal Tool (Pkg of 10)	
9	2	24231516	Spacer Block Kit - 3/4" undercut (Pkg of 2)	

*A cable removal tool is included with the assembly/package.

Each latch assembly includes two latch mounting brackets.

98/9950WDC & 98/9950WDC-F (WOOD DOOR CONCEALED) VERTICAL CABLES AND LATCHES

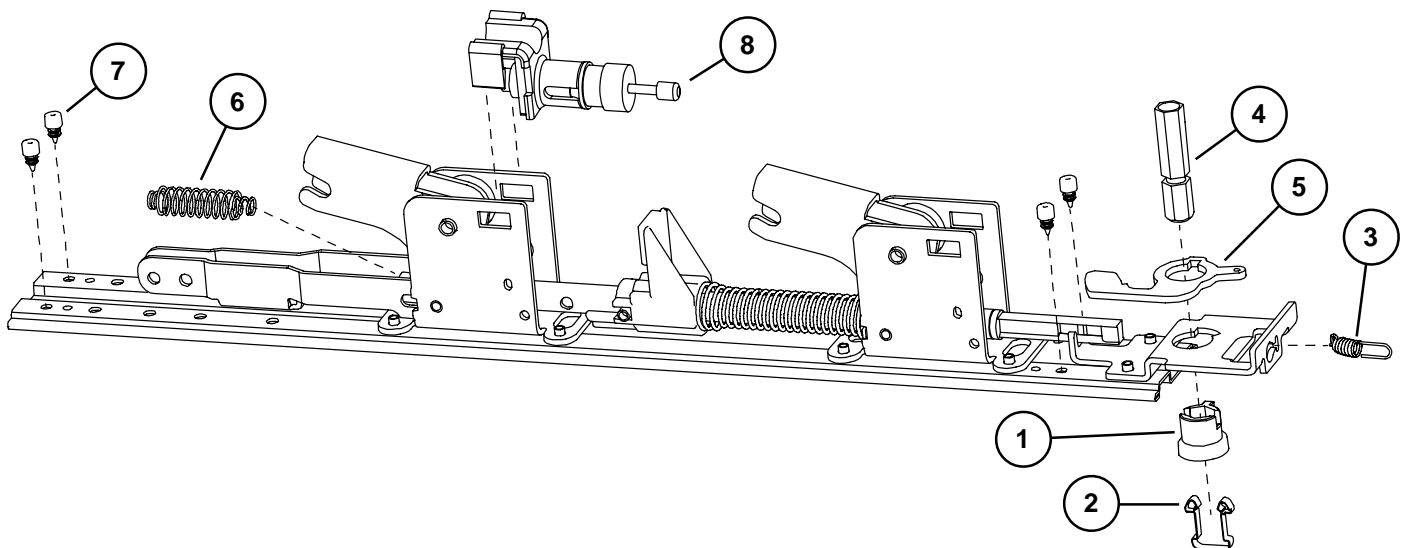


**98/9950WDC & 98/9950WDC-F (WOOD DOOR CONCEALED)
VERTICAL CABLES AND LATCHES**

Item No.	Quantity	Part No.	Description	Finish
1	1	48968820	50WDC Top Latch Kit	
2	1	48968838	50WDC Bottom Latch Kit	
3	1	48973291	98/9950WDC Center Slide Kit	
4	1	48968861	98/9950WDC-F Fire Kit	
5	1	24685554	98/9950WDC Lift Finger Kit	
6	1	24648180	Top Cable 6'8"-7'0" WDC	
6	1	24647273	Top Cable 7'1"-8'0" WDC	
6	1	24647281	Top Cable 8'1"-9'0" WDC	
6	1	24647299	Top Cable 9'1"-10'0" WDC	
7	1	24647265	Bottom Cable WDC	

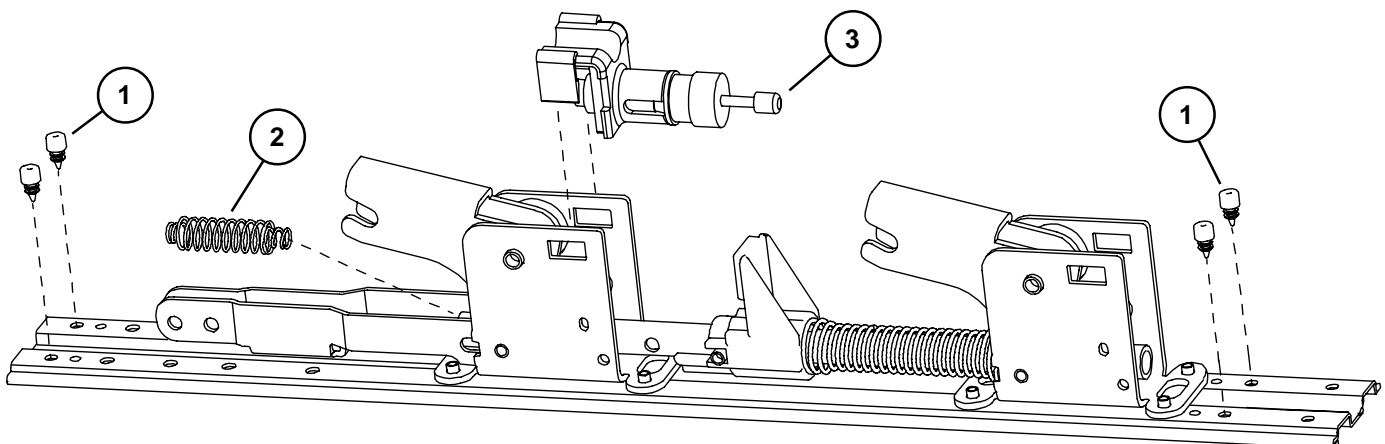
98/9947, 98/9949, & 98/9950 PANIC DEVICE BASEPLATE ASSEMBLY

Item No.	Quantity	Part No.	Description	Finish
1	1	090043	Dogging adapter (Pkg of 2)	
2	1	090042	Dogging adapter spring (Pkg of 2)	
3	1	090041	Dogging spring (Pkg of 2)	
4	1	090040	Hex dogging shaft (Pkg of 2)	
5	1	090044	Dogging hook (Pkg of 2)	
6	1	090039	Latch return spring (Pkg of 10)	
7	4	090038	Rubber bumper (Pkg of 4)	
8	1	050491	Shock absorber	



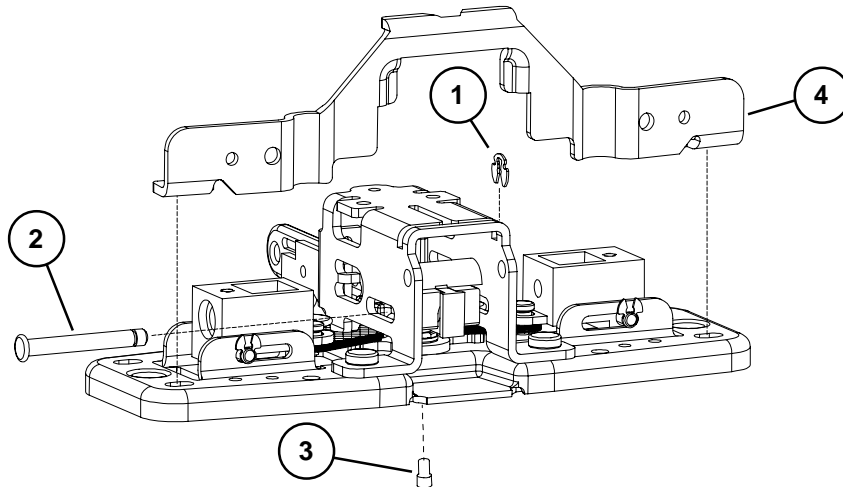
98/9947-F, 98/9949-F, & 98/9950-F FIRE DEVICE BASEPLATE ASSEMBLY

Item No.	Quantity	Part No.	Description	Finish
1	4	090038	Rubber bumper (Pkg of 4)	
2	1	090039	Latch return spring (Pkg of 10)	
3	1	050491	Shock absorber	



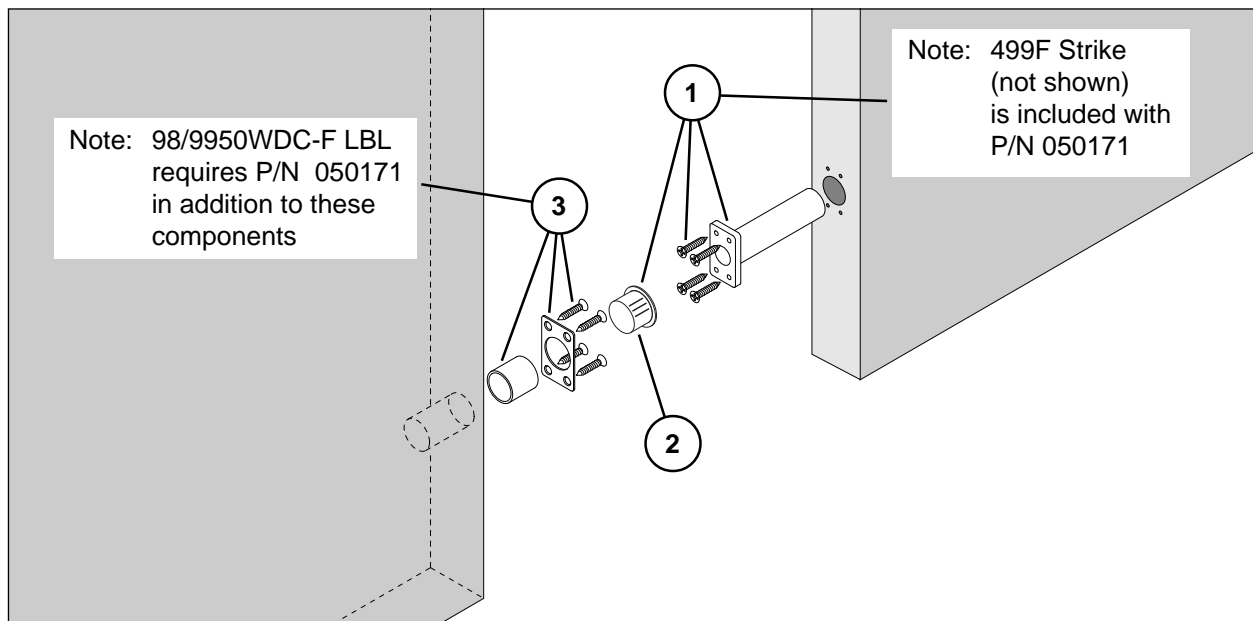
98/9947, 98/9949, & 98/9950 DEVICE CENTER CASE ASSEMBLY

Item No.	Quantity	Part No.	Description	Finish
1	2	090107	Retaining Ring (Pkg of 10)	
2	2	090079	Latch Bolt Pin (Pkg of 10)	
3	1	090074	NL Drive Screw (Pkg of 10)	
4	1	050565	Center Case Reinforcing Bracket	



98/9947-F LBR (LESS BOTTOM ROD) 98/9949-F LBL (LESS BOTTOM LATCH) 98/9950WDC-F LBL (LESS BOTTOM LATCH) FIRE LATCH KIT

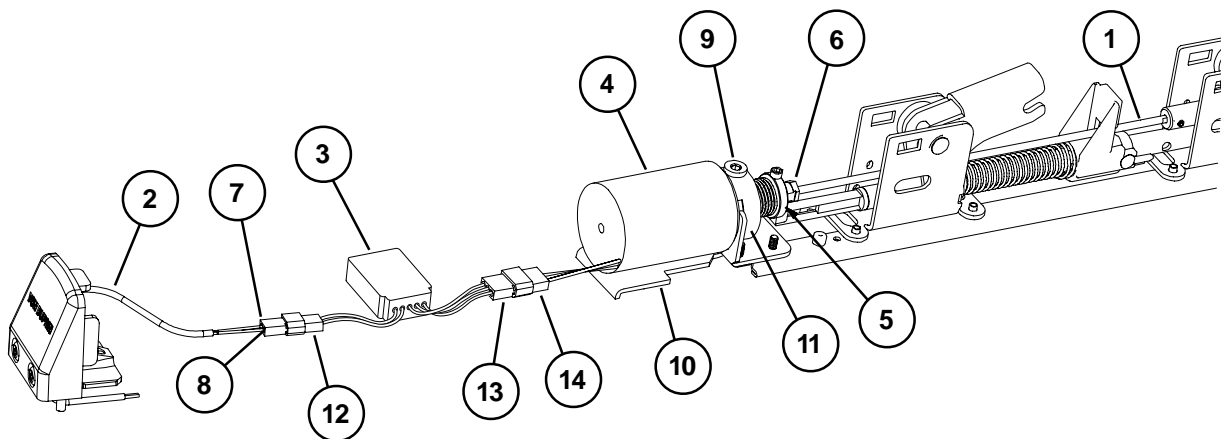
Item No.	Quantity	Part No.	Description	Finish
1	1	050171	LBR/LBL Fire Latch/Strike Kit	
2	1	050509	LBR/LBL Fire Strike Plug	
3	1	48968887	50WDC Fire Pin Kit	



**HD-EL9847/HD-EL9947, HD-EL9849/HD-EL9949, & HD-EL9850/HD-EL9950
HEX DOGGING/ELECTRIC LATCH
RETRACTION OPTION - PANIC DEVICE ONLY**

Item No.	Quantity	Part No.	Description	Finish
1	1	050531	EL Dogging Rod Kit - 3' device	
1	1	050532	EL Dogging Rod Kit - 4' device	
2	1	110388	EL 6' Cable and Connector	
3	1	050534	EL Potted Module	
4	1	050536	HD-EL Solenoid	
5	1	050537	HD-EL Solenoid Plunger	
6	1	050538	EL Dogging Rod Retainer	
7	1	050539	EL Receptacle Connector - 2 Position	
8	2	050540	EL Female Terminal	
9	1	050541	HD-EL Dog Screw	
10	1	050542	HD-EL Solenoid Bracket	
11	1	050543	HD-EL Dogging Spring	
12	1	990599	EL Plug Connector - 2 Position	
13	1	990857	EL Receptacle Connector - 3 Position	
14	1	990858	EL Plug Connector - 3 Position	
*	1	050384	HD-EL Conversion Kit - 3'	
*	1	050385	HD-EL Conversion Kit - 4'	

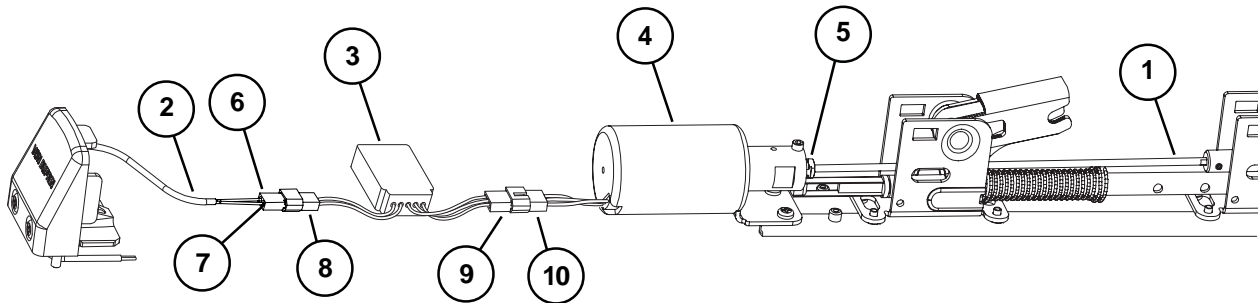
*Kit includes items 1-11 plus new control link, retaining ring, and baseplate screws.



EL9847/EL9947, EL9849/EL9949, & EL9850/EL9950 SERIES ELECTRIC LATCH RETRACTION OPTION

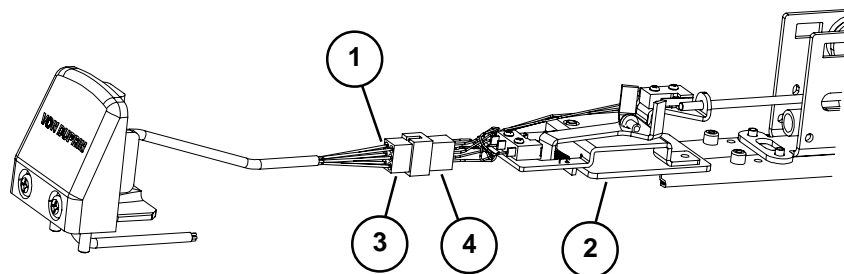
Item No.	Quantity	Part No.	Description	Finish
1	1	050531	EL Dogging Rod Kit - 3' device	
1	1	050532	EL Dogging Rod Kit - 4' device	
2	1	110388	EL 6' Cable and Connector	
3	1	050534	EL Potted Module	
4	1	050535	EL Solenoid Assembly	
5	1	050538	EL Dogging Rod Retainer	
6	1	050539	EL Receptacle Connector	
7	2	050540	EL Female Terminal	
8	1	990599	EL Plug Connector - 2 Position	
9	1	990857	EL Receptacle Connector - 3 Position	
10	1	990858	EL Plug Connector - 3 Position	
*	1	050070	EL Conversion Kit - 3'	
*	1	050078	EL Conversion Kit - 4'	

*Kit includes items 1-7 plus new control link pin, retaining ring, and baseplate screws.

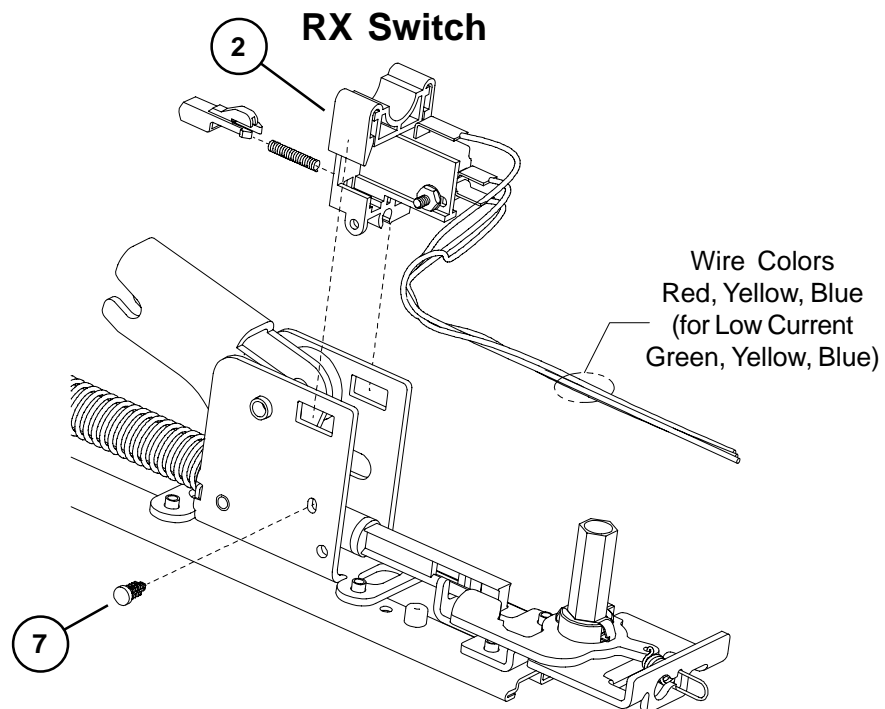
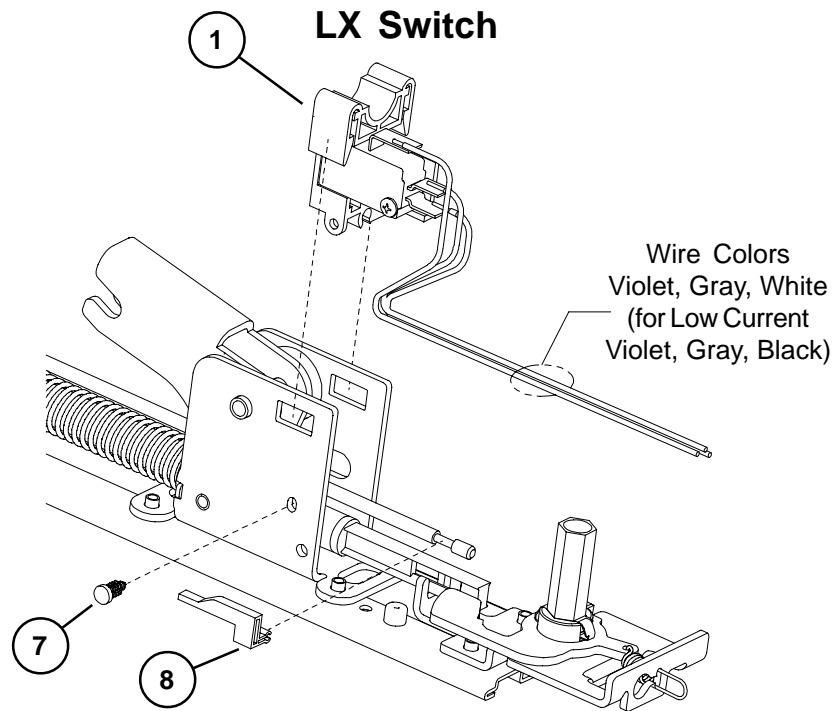


SS9847/SS9947, SS9849/SS9949, & SS9850/SS9950 SERIES SIGNAL SWITCH OPTION

Item No.	Quantity	Part No.	Description	Finish
1	1	050544	SS Cable	
2	1	050545	SS Housing	
3	1	990601	SS Plug Connector - 6 Position	
4	1	990602	SS Receptacle Connector - 6 Position	

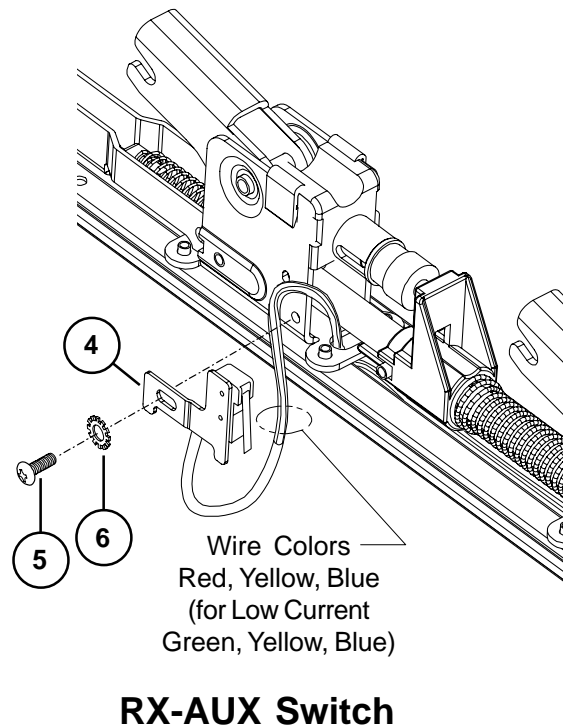
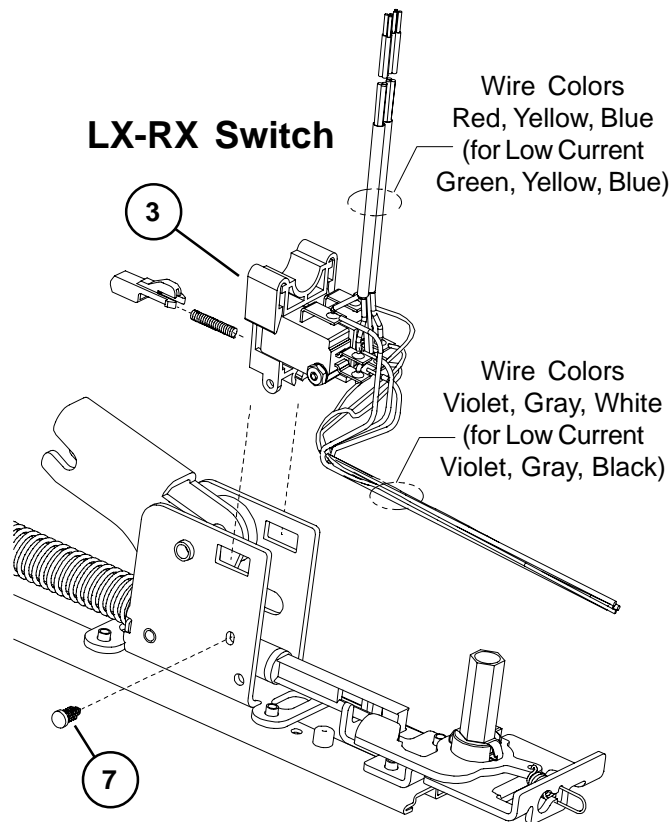


98/9947, 98/9949, & 98/9950 SERIES LX (LATCH BOLT MONITOR) & RX (REQUEST TO EXIT) OPTIONS



98/9947, 98/9949, & 98/9950 SERIES LX (LATCH BOLT MONITOR) & RX (REQUEST TO EXIT) OPTIONS

Item No.	Quantity	Part No.	Description	Finish
1	1	050254	LX Switch Kit 3' Device	
1	1	050255	LX Switch Kit 4' Device	
1	1	050247	LX-EL Switch Kit	
1	1	050283	LX-LC (Low Current) Switch Kit 3' Device	
1	1	050285	LX-LC (Low Current) Switch Kit 4' Device	
1	1	050287	LX-LC-EL (Low Current) Switch Kit	
2	1	050251	RX Switch Kit	
2	1	050281	RX-LC (Low Current) Switch Kit	
3	1	050256	LX-RX Switch Kit 3' Device	
3	1	050257	LX-RX Switch Kit 4' Device	
3	1	050259	LX-RX-EL Switch Kit	
3	1	050289	LX-RX-LC (Low Current) Sw. Kit 3' Device	
3	1	050291	LX-RX-LC (Low Current) Sw. Kit 4' Device	
3	1	050293	LX-RX-LC-EL (Low Current) Switch Kit	
2 & 4	1	050270	RX-2 Switch Kit	
4	1	050271	RX-AUX Switch Kit	
5	1	964558	8-32 x 5/16" PPHMS	
6	1	964019	#8 Washer	
7	1	090099	Pine Tree Clip (Pkg of 10)	
8	1	971091	LX Actuator	

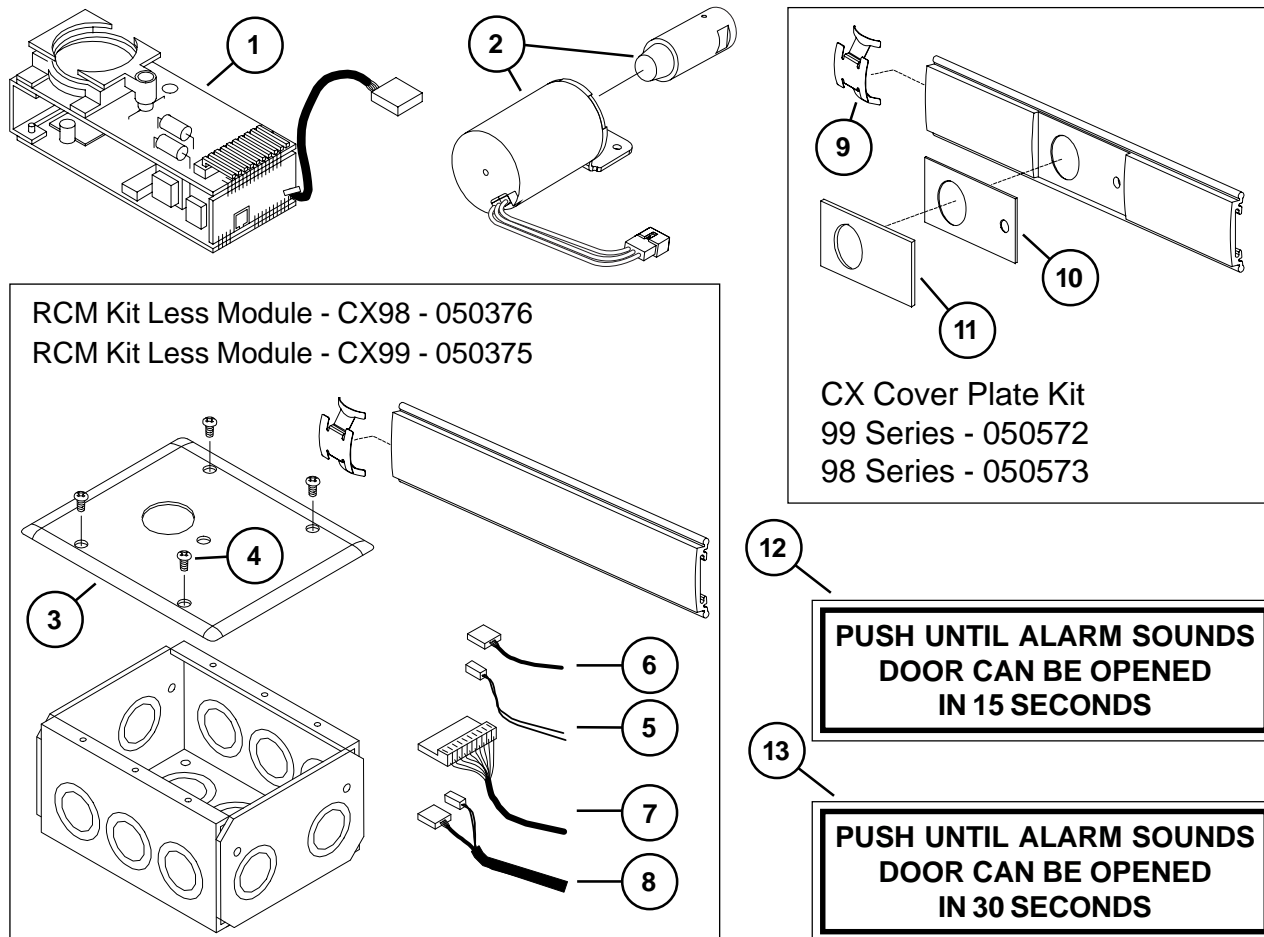


CX98/9947, CX98/9949, & CX98/9950 SERIES CHEXIT AND CX-RCM OPTION

For discontinued Chexit devices made before August, 24 2015

Item No.	Quantity	Part No.	Description	Finish
1	1	050228	Chexit PCB Kit - 15 Second Release	
1*	1	050700	Chexit PCB Kit - 30 Second Release	
1	1	050701	Chexit PCB Kit - 0 Second Release	
1	1	050702	Chexit PCB Kit - Boca 15 Second Release	
1*	1	050703	Chexit PCB Kit - Boca 30 Second Release	
2	1	050533	CX Solenoid and Plunger	
3	1	113111	Faceplate and Adapter	X
4	4	963898	6-32 x 3/8" OPHMS Faceplate Screw	X
5	1	991338	RCM 2-Wire RX Cable	
6	1	991339	RCM 3-Wire Solenoid Cable	
7	1	112018	Chexit Wiring Assembly	
8	1	991336	CX-RCM Cable Assy - 5 Wire	
9	1	090036	Cover Plate Anti-rattle Spring (Pkg of 10)	
10	1	970513	LED Cover Mask - Chexit	
11	1	970519	LED Cover - Chexit	
12	1	113781	Sign 15 Second - Chexit	
13	1	113782	Sign 30 Second - Chexit	

*Over 15 second delay requires a letter of approval from the authority having local jurisdiction over the premises prior to the installation of the device. Allegion cannot grant such approval nor does it warrant local jurisdiction compliance.

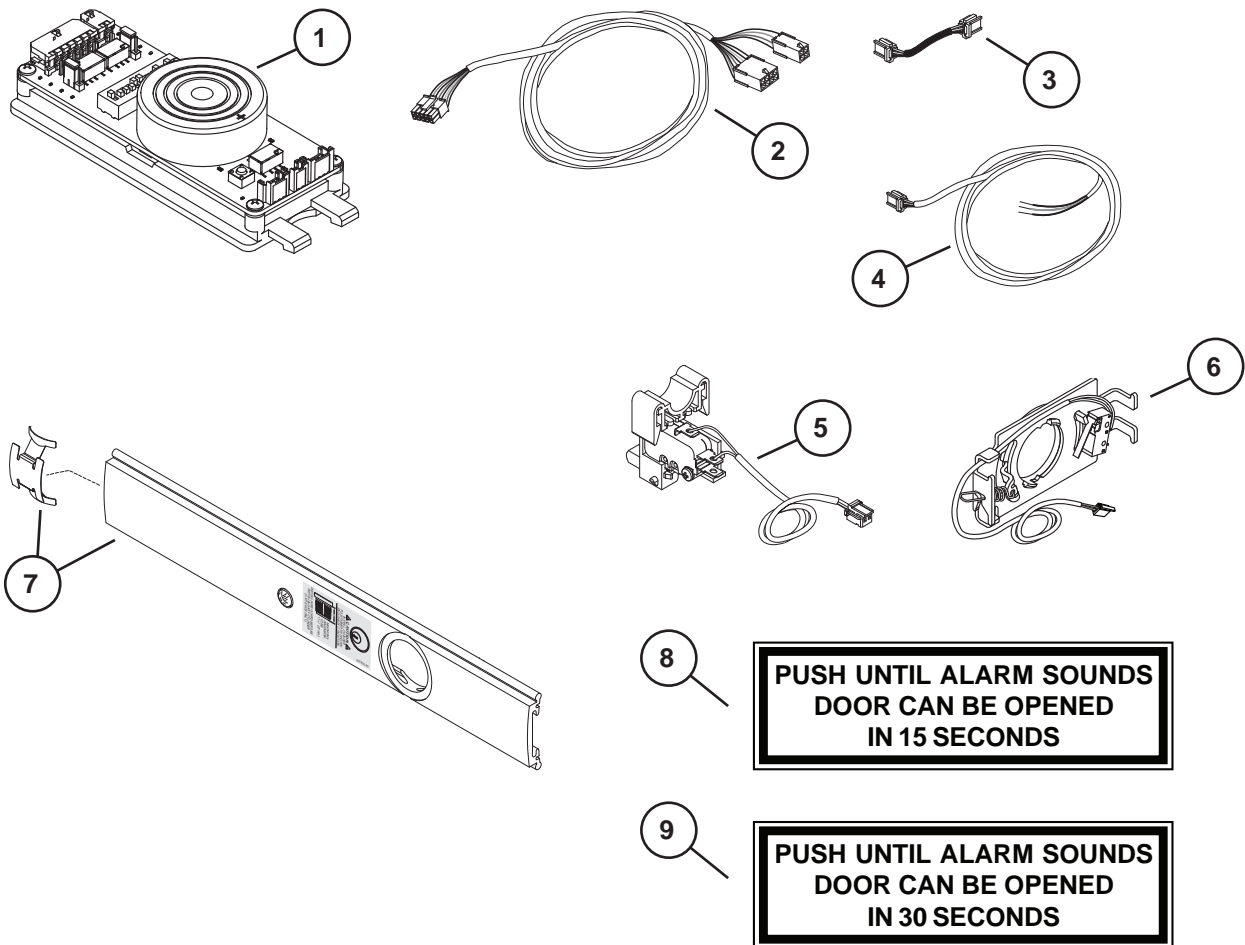


CX98/9947, CX98/9949, & CX98/9950 SERIES CHEXIT

For new Chexit devices made after August, 24 2015

Item No.	Quantity	Part No.	Description	Finish
1	1	040086	Standard - 15 Second Release Delay	
1*	1	040087	Special Infinite Release Delay	
1*	1	040088	Special 30 Second Release Delay	
1	1	040089	Special 0 Second Release Delay	
1	1	040090	Special Mute 15 Second Release Delay	
1	1	040091	BOCA 15 Second Release Delay	
2	1	040191	CX Field Wiring Cable	
3	1	040192	CX Motor Cable	
4	1	040193	CX Trim Device Cable	
5	1	116717	CX RX Switch Assembly	
6	1	040170	CX Key Switch Assembly 3'	
6	1	040189	CX Key Switch Assembly 4'	
7	1	040093	CX33/99 Cover Plate Kit	X
7	1	040094	CX35/98 Cover Plate Kit	X
8	1	113781	Sign 15 Second	
9	1	113782	Sign 30 Second	

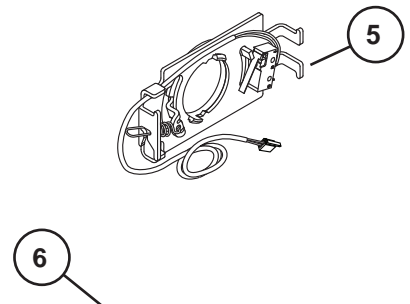
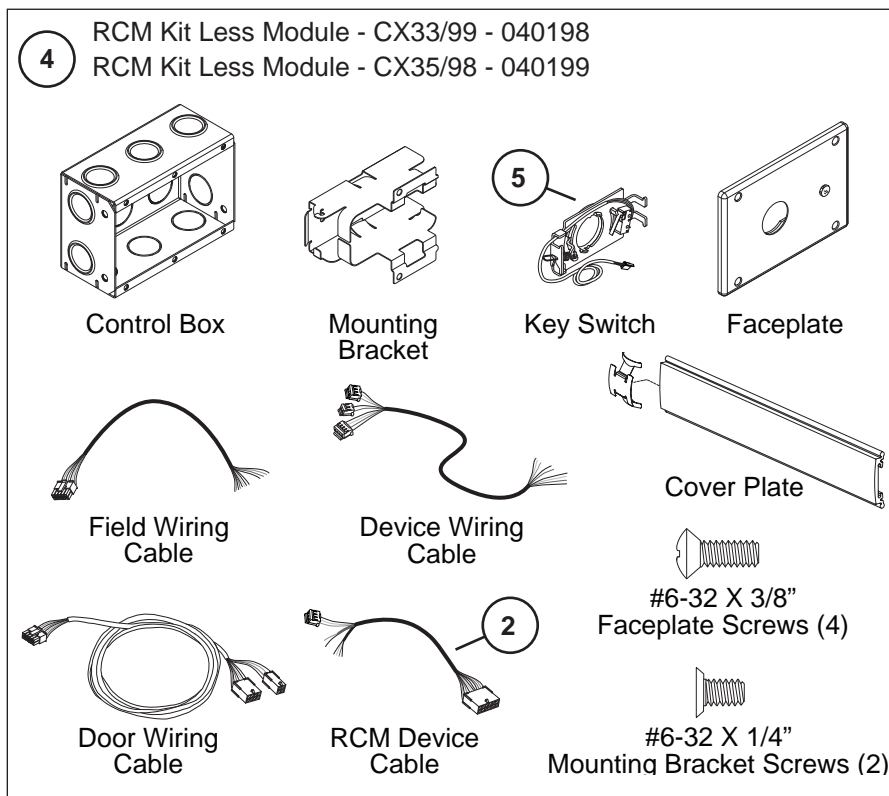
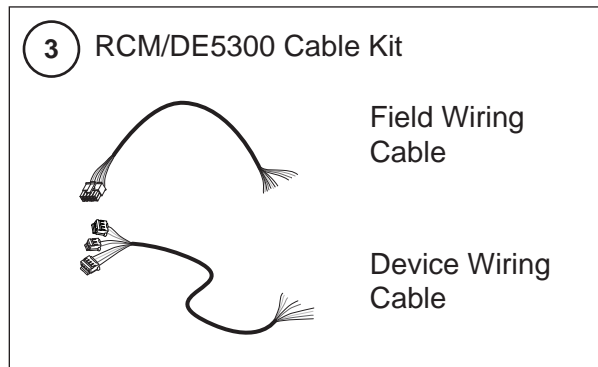
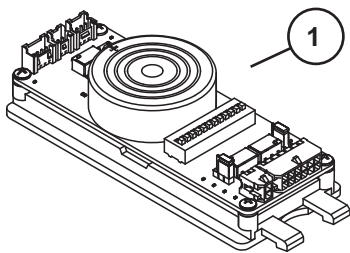
*Over 15 second delay requires a letter of approval from the authority having local jurisdiction over the premises prior to the installation of the device. Allegion cannot grant such approval nor does it warrant local jurisdiction compliance.



CX-RCM/DE5300 OPTIONS

For new RCM/DE5300 devices made after August, 24 2015

Item No.	Quantity	Part No.	Description	Finish
1	1	116711	Standard - 15 Second Release Delay	
2	1	040092	RCM Device Cable	
3	1	040188	DE5300/RCM Cable Kit	
4	1	040198	RCM Kit Less Module - CX33/99	X
4	1	040199	RCM Kit Less Module - CX35/98	X
5	1	040169	DE5300/RCM Key Switch Assy	
6	1	113781	Sign 15 Second	

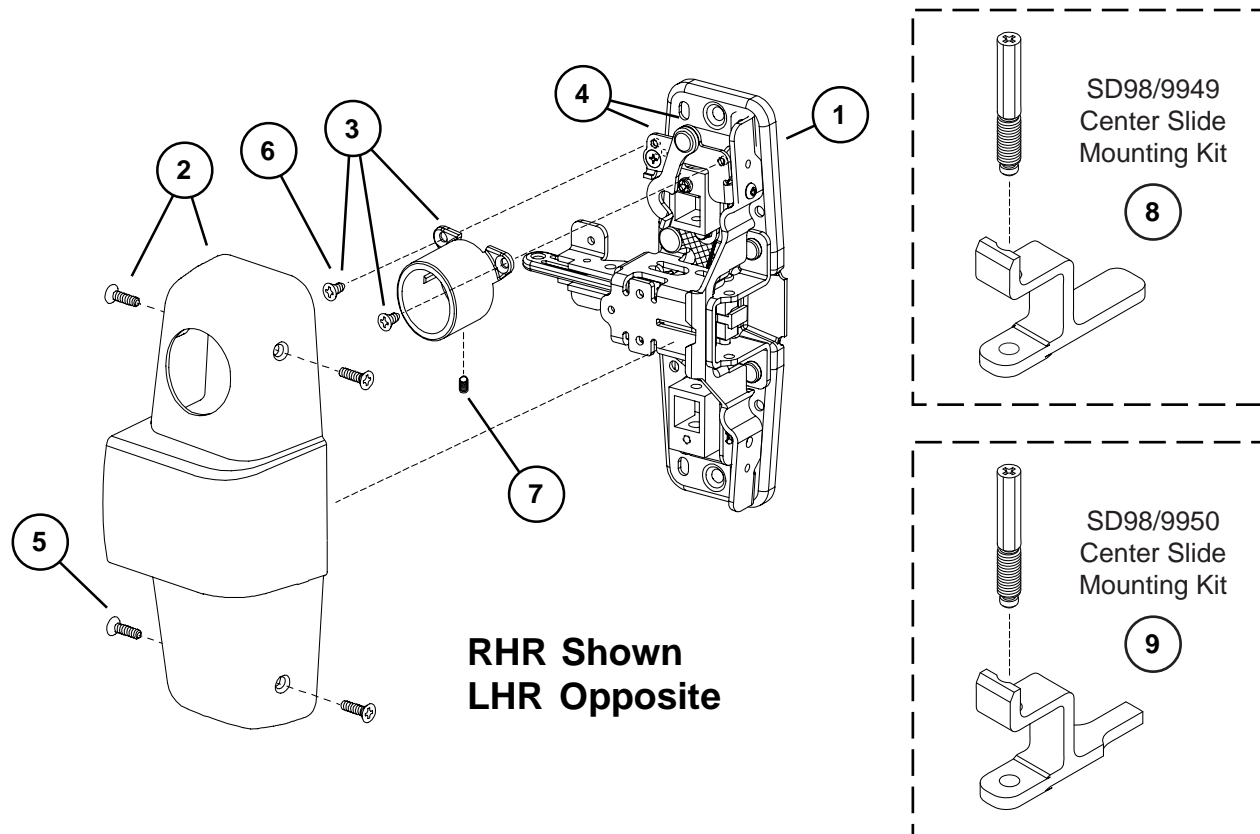


**PUSH UNTIL ALARM SOUNDS
DOOR CAN BE OPENED
IN 15 SECONDS**

CX-CD/SD98/9947, CX-CD/SD98/9949, & CX-CD/SD98/9950 SERIES OPTION

Item No.	Quantity	Part No.	Description	Finish
1*	1	050552	SD98/9947/49/50 RHR Center Case Kit Less Cvr	
1*	1	050553	SD98/9947/49/50 LHR Center Case Kit Less Cvr	
2	1	050562	SD98/9947/49/50 RHR Center Case Cover Kit	X
2	1	050563	SD98/9947/49/50 LHR Center Case Cover Kit	X
3	1	112409	CD-CX/SD Cylinder Dog Housing	
4	1	112455	CD-CX/SD Cylinder Dog Bracket Kit RHR	
4	1	112456	CD-CX/SD Cylinder Dog Bracket Kit LHR	
5	4	900892	Center Case Cover Screws	X
6	2	PkgServ.1018	8-32 x 1/4" UFPHMS (Pkg of 20)	
7	1	964240	Bracket Set Screw	
8	1	24123291	SD98/9949 Center Slide Mounting Kit	
9	1	47244842	SD98/9950 Center Slide Mounting Kit	

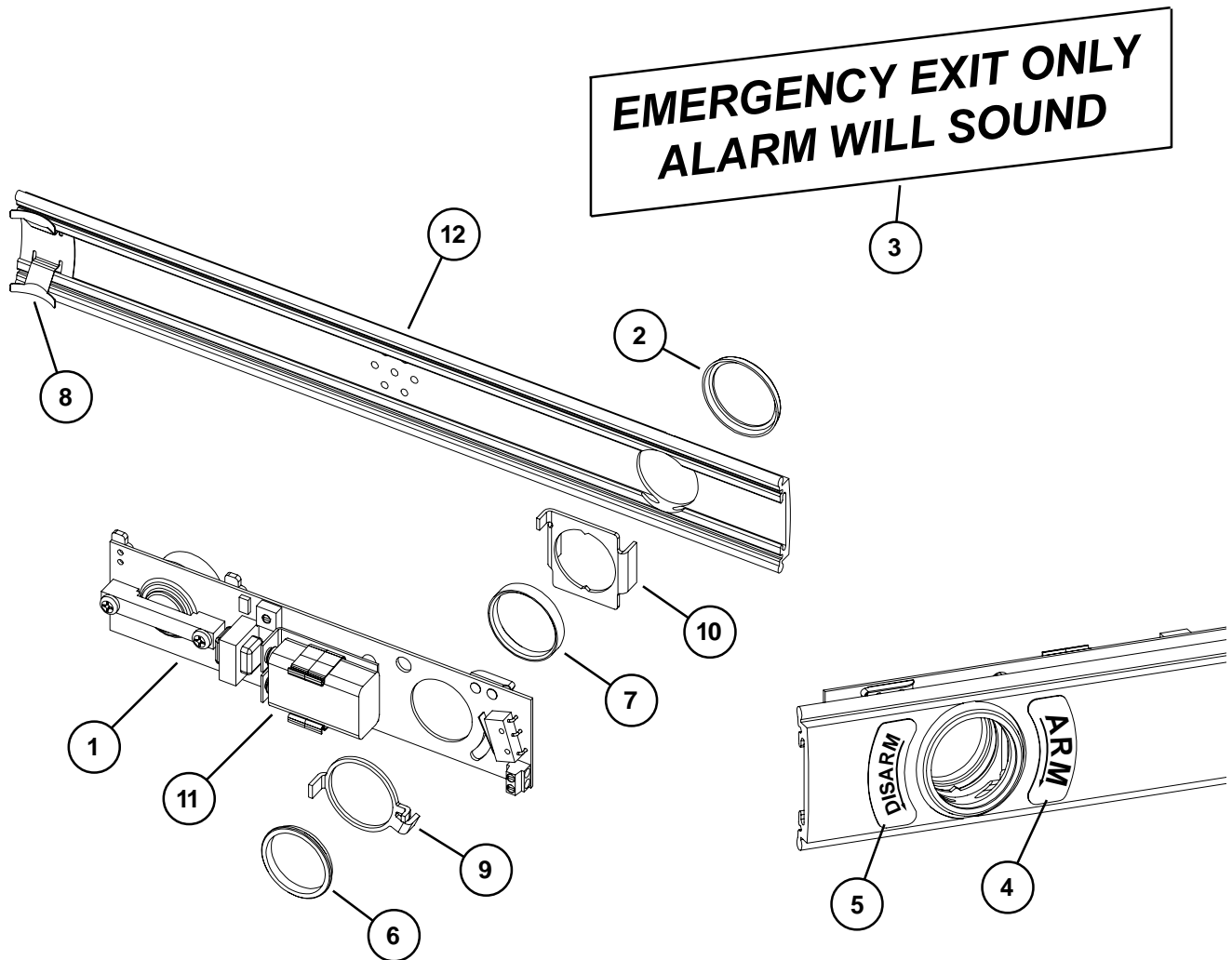
*Parts shown are for the CX-CD/SD option. For other available center case parts refer to page 17.



98/9947, 98/9949, & 98/9950 ALK EXIT ALARM KIT

Item No.	Quantity	Part No.	Description	Finish
1	1	111795	ALK PCB Assembly	
2	1	050525	Cylinder Collar	X
3	1	969122	ALK Alarm Device Sign	
4	1	969349	ALK Arming Label	
5	1	969350	ALK Disarming Label	
6	1	969354	Retainer Nut	
7	1	970594	ALK Cylinder Spacer	
8	1	090036	Cover Plate Anti-rattle spring (Pkg of 10)	
9	1	971556	ALK Switch Actuator	
10	1	971557	ALK Cylinder Bracket	
11	1	990637	ALK Battery	
12	1	050569	99 Series ALK Cover Plate Kit	X
12	1	050570	98 Series ALK Cover Plate Kit	X

X in "Finish" column designates finished items; finish must be specified when ordering.

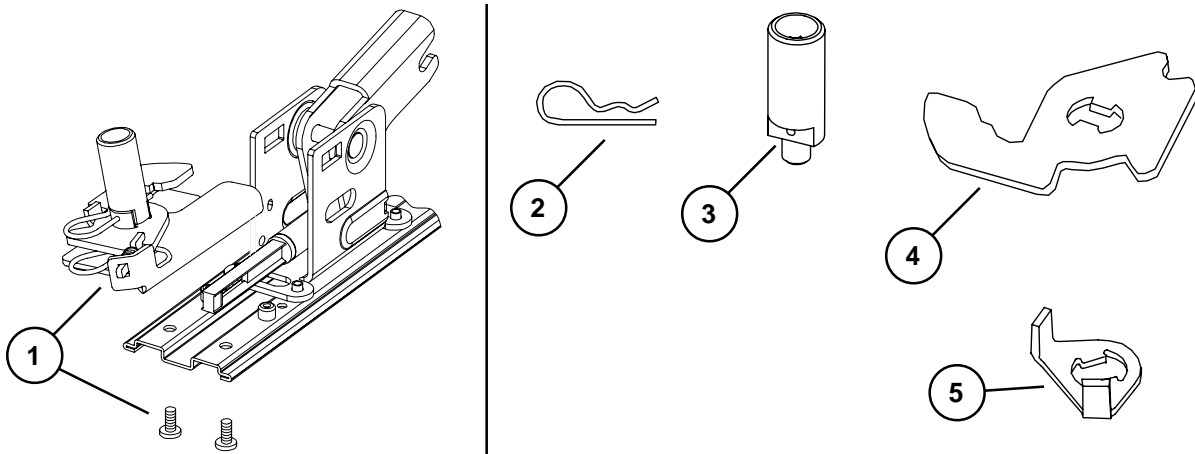


98/9947 SERIES SERVICE REPLACEMENT ITEMS

Item No.	Quantity	Part No.	Description	Finish
1	1	050153	Old Style Hex Dogging Replacement Kit	
2	1	963909	#22 Hitch Pin - Hex/CD Dogging Old Style	
3	1	968112	Old Style Hex Dog Shaft	
4	1	969941	Old Style Dogging Hook	
5	1	968116	Old Style CD Actuator Arm	
6	1	900905	Old Style End Cap and Bracket Assembly	X
7	1	970548	Old Style Cover Plate Stop - End Cap	
8	1	900901	Old Style End Cap Screw Package	X
9	1	971082	Old Style 98/99 End Cap - Stainless Steel	X
9	1	971083	Old Style 98/99 End Cap - Brass	X
9	1	971084	Old Style 98/99 End Cap - Bronze	X
9	1	971085	Old Style 98/99 End Cap - Aluminum	X

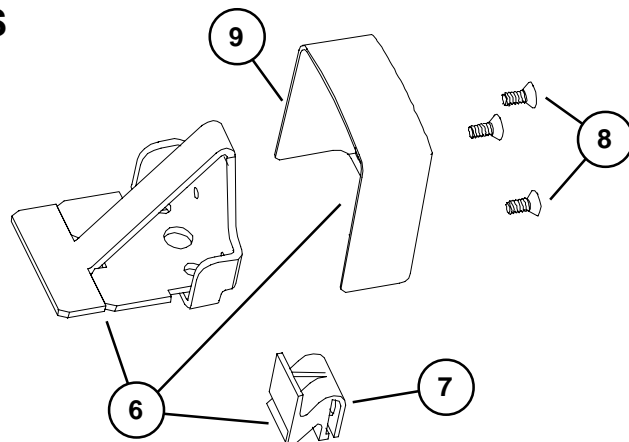
X in "Finish" column designates finished items; finish must be specified when ordering.

OLD STYLE DOGGING PARTS (FOR DEVICES SHIPPED BEFORE AUGUST 1997)



OLD STYLE END CAP PARTS (FOR DEVICES SHIPPED BEFORE JANUARY 2002)

Note: Newer style end cap kit shown on pages 4-5. Newer style end cap kit can be used on devices manufactured before January 2002, but mechanism case and cover plate on hinge stile must have a square cut and a clean edge.



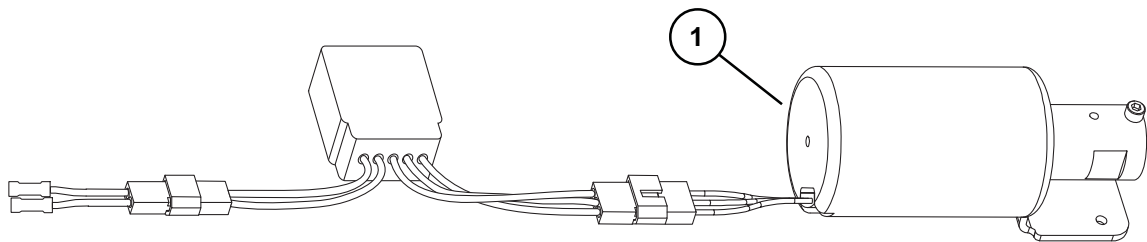
98/9947 SERIES SERVICE REPLACEMENT ITEMS

Item No.	Quantity	Part No.	Description	Finish
1	1	050218	EL Solenoid Replacement Kit	

X in "Finish" column designates finished items; finish must be specified when ordering.

EL SOLENOID REPLACEMENT KIT (FOR DEVICES SHIPPED BEFORE JANUARY 1987)

Note: This kit replaces the old style EL solenoid parts with the new style.



About Allegion

Allegion (NYSE: ALLE) creates peace of mind by pioneering safety and security. As a \$2 billion provider of security solutions for homes and businesses, Allegion employs more than 8,000 people and sells products in more than 120 countries across the world. Allegion comprises 27 global brands, including strategic brands CISA®, Interflex®, LCN®, Schlage® and Von Duprin®.

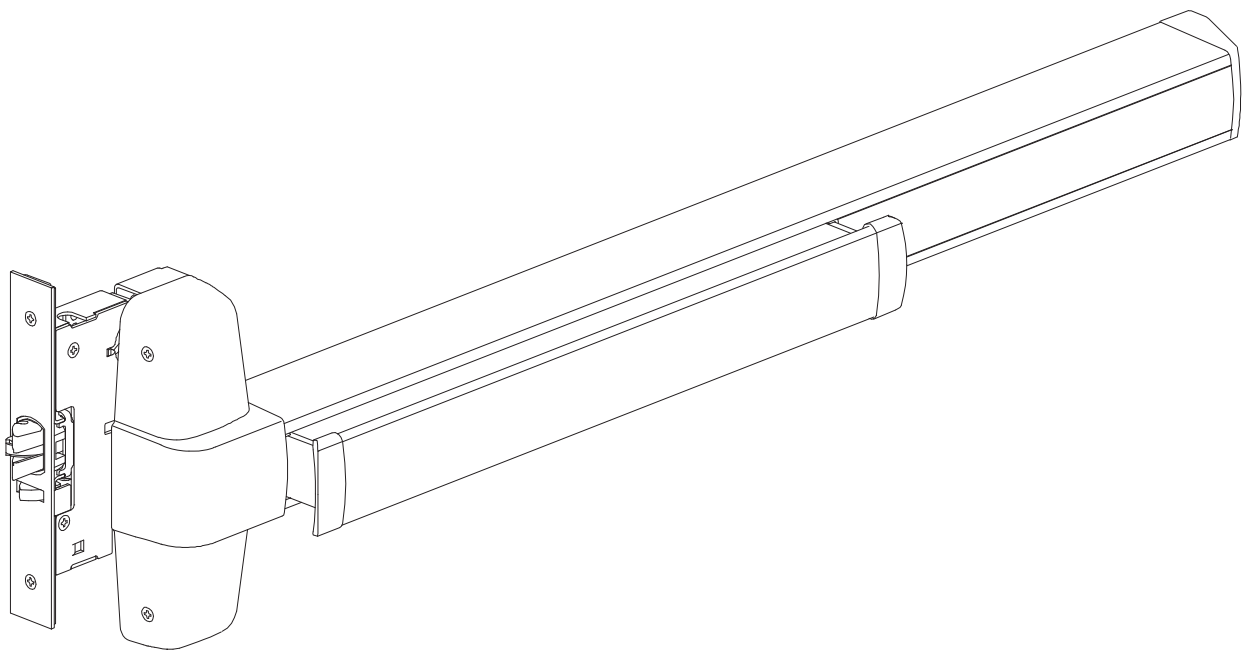
For more, visit www.allegion.com.

aptiQ ■ LCN ■ **SCHLAGE** ■ STEELCRAFT ■ VON DUPRIN

VON DUPRIN®

98/9975 Mortise Lock Exit Devices

Service manual



INDEX

98/9975 Devices	
Basic Panic Device	4-5
Basic Fire Device	6-7
Baseplate Assemblies	8
Center Case Assembly	9
Variations of the Basic Device	
CD (Cylinder Dogging)	4-5
98/9975-2 (Double Cylinder)	9
HD-EL (Hex Dogging/Electric Latch Retraction)	10
EL (Electric Latch Retraction)	11
SS (Signal Switch)	11
RX (Request to Exit)	12-13
LX (Latch Bolt Monitoring)	12-13
CX (Chexit Discontinued)	14
CX (Chexit New)	15
CX (Chexit New RCM/DE5300 Option)	16
ALK (Exit Alarm Kit)	17
7500 Mortise Lock	18-19
E7500 Mortise Lock (F.S.E.)	20
E7500 Mortise Lock (F.S.)	21
SS7500 Mortise Lock	22
Service Replacement Items	23-24
General Information	
Introduction	2
How to Order	2
Part Number Changes	2
Finishes	3
Outside Trim Functions	3
Strikes	3

INTRODUCTION

This manual contains a listing of replaceable parts and assemblies for the 98/9975 Exit Hardware Devices. 98 Series and 99 Series devices are almost identical. The 99 Series has a grooved case; the 98 Series has a smooth case.

HOW TO ORDER

Some parts are sold separately. Other items are available as part of a kit or multiple quantity package. For the best possible service when ordering replacement parts or assemblies, please provide the following information:

- Part number or assembly number
- Description
- Quantity needed
- Finish desired (if available finished)
- Date of original purchase (if known)

To find out the name of your local Von Duprin distributor or sales representative, contact:

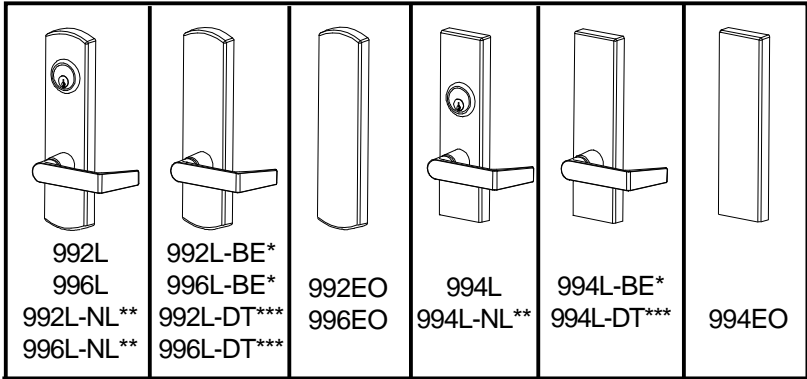
Von Duprin Division
Allegion
2720 Tobey Drive
Indianapolis, Indiana 46219
Phone: (877) 671-7011

PART NUMBER AND AVAILABILITY CHANGES

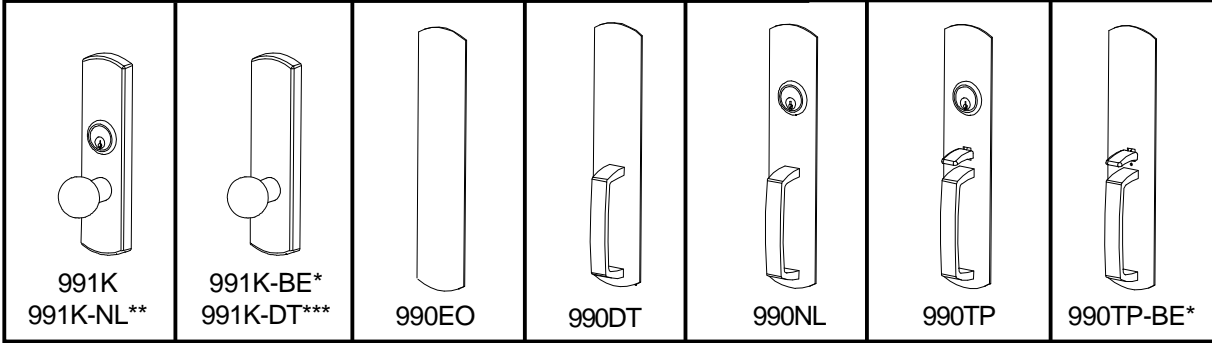
This manual was designed to help illustrate the replacement parts and kits that are available for sale. Because of changes to the product and/or manufacturing process, part numbers and availability can change over time.

98/99 SERIES FINISHES

OUTSIDE TRIM FUNCTIONS

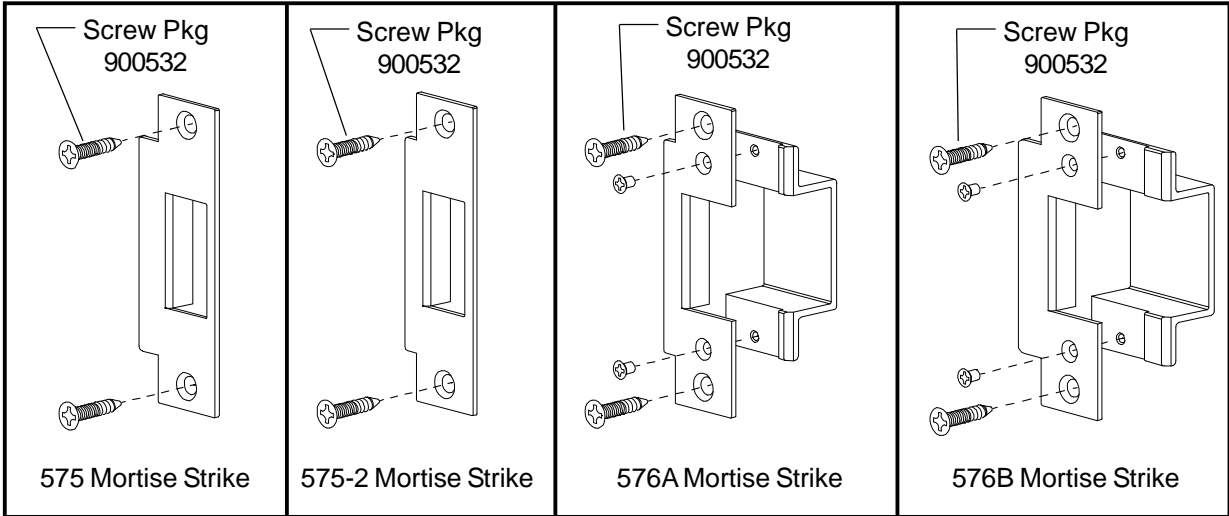


U.S. Std Reference	BHMA Reference	Description
US3	605	Polished Brass
US4	606	Dull Brass
US10	612	Dull Bronze
US15	619	Satin Nickel
US26	625	Polished Chrome
US26D	626	Dull Chrome
US28	628	Anodized Alum. (Clear)
US32D	630	Satin Stainless Steel
313AN	710	Anodized Alum. (313) Dark Bronze
315AN	711	Anodized Alum. (Black)

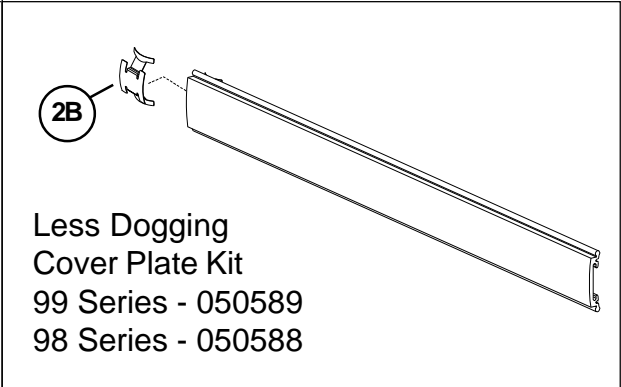
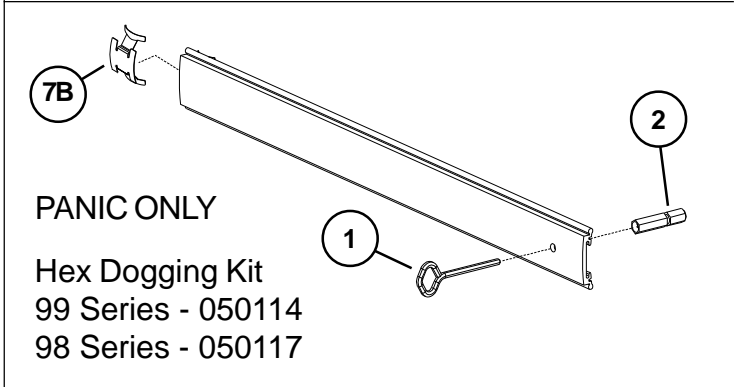
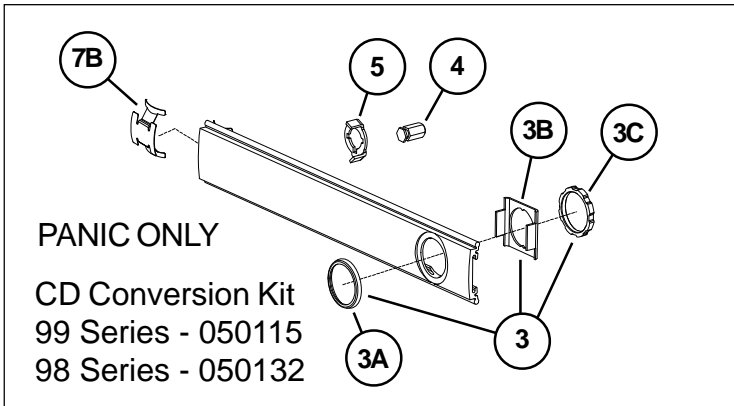
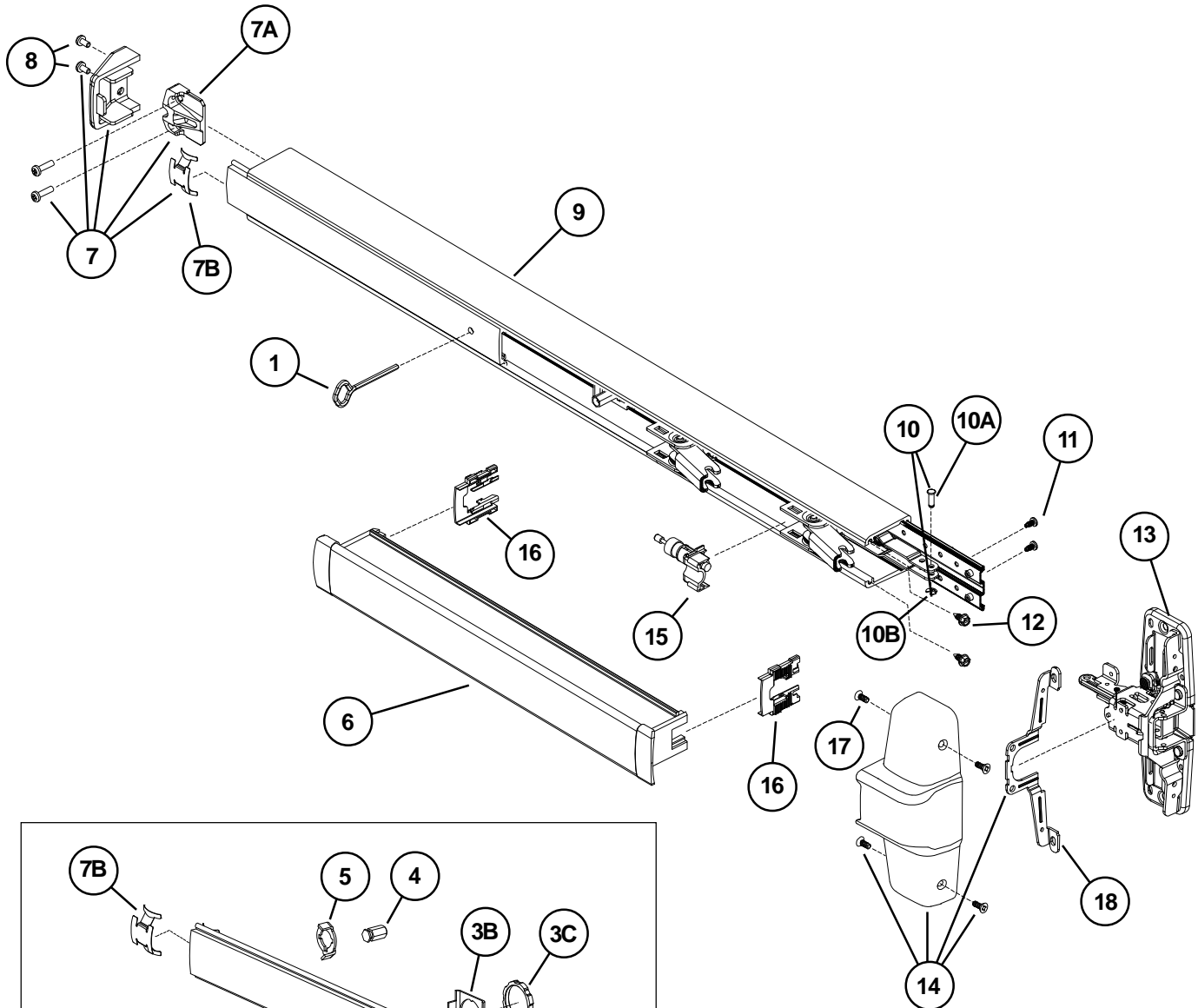


- * "BE" (Blank Escutcheon) no cylinder used - lever always active
- ** "NL" (Night Latch) rigid lever - key retracts latch bolt
- *** "DT" (Dummy Trim) rigid lever for pull operation
- **** "OP" (Optional Pull) needs to be added

MORTISE STRIKES



98/9975 MORTISE PANIC DEVICE



98/9975 MORTISE PANIC DEVICE

Item No.	Quantity	Part No.	Description	Finish
	1	900561	98/99 Series Mounting Pkg. (1-3/4 & 2-1/4)	
1	1	090085	227 Dog Key 5/32" Hex (Pkg of 10)	
1	1	090005	227 Dog Key 5/32" Hex (Pkg of 2)	
2	1	090040	Hex Dog Shaft (Pkg of 2)	
3	1	107813	Cylinder Mounting Pkg	X
3A	1	050525	Cylinder Collar	X
3B	1	050490	Cylinder Locating Washer - CD/SS	
3C	1	050526	Cylinder Locknut	
4	1	090046	CD Dogging Plug (Pkg of 2)	
5	1	090045	CD Actuator Arm (Pkg of 2)	
6	1	*PBKIT	98/99 Series Push Bar Retrofit Kit - 3' Door	X
6	1	*PBKIT	98/99 Series Push Bar Retrofit Kit - 4' Door	X
7	1	050014	98/99 Series End Cap Kit	X
7A	1	050524	Impact Resistant End Cap Bracket	
7B	1	090036	Cover Plate Anti-rattle Spring (Pkg of 10)	
8	1	900597	Device End Cap and C/Case Screw Pkg.	X
9	1	968144	99 Series Mechanism Case - 3' Door	X
9	1	968146	99 Series Mechanism Case - 4' Door	X
9	1	970191	98 Series Mechanism Case - 3' Door	X
9	1	970192	98 Series Mechanism Case - 4' Door	X
10	1	050529	98/99 Series Control Link Pin & Ret. Ring	
10A	1	090031	98/99 Series Control Link Pin (Pkg of 10)	
10B	1	090107	Retaining Ring (Pkg of 10)	
11	2	090037	#8-32 x 3/8" Baseplate Screw (Pkg of 10)	
12	2	090073	Mechanism Case Bracket Screw (Pkg of 10)	
13***	1	050023	98/9975 Center Case Less Cover	
14**	1	050073	98/9975 Center Case Cover Kit	X
15	1	050491	Shock Absorber & Holder Assembly	
16	2	090049	Push Bar Guide (Pkg of 10)	
17	4	900892	Center Case Cover Screws (Pkg of 4)	X
18	1	050564	Center Case Cover Bracket	

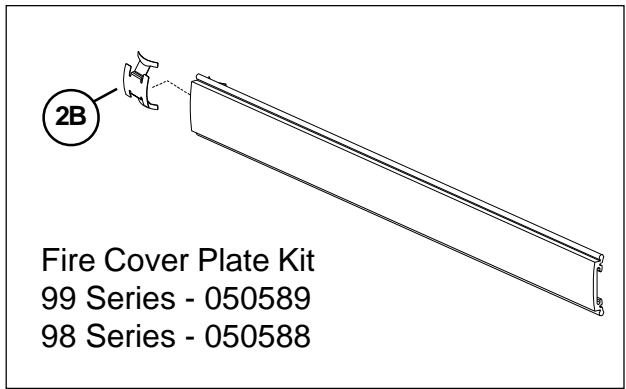
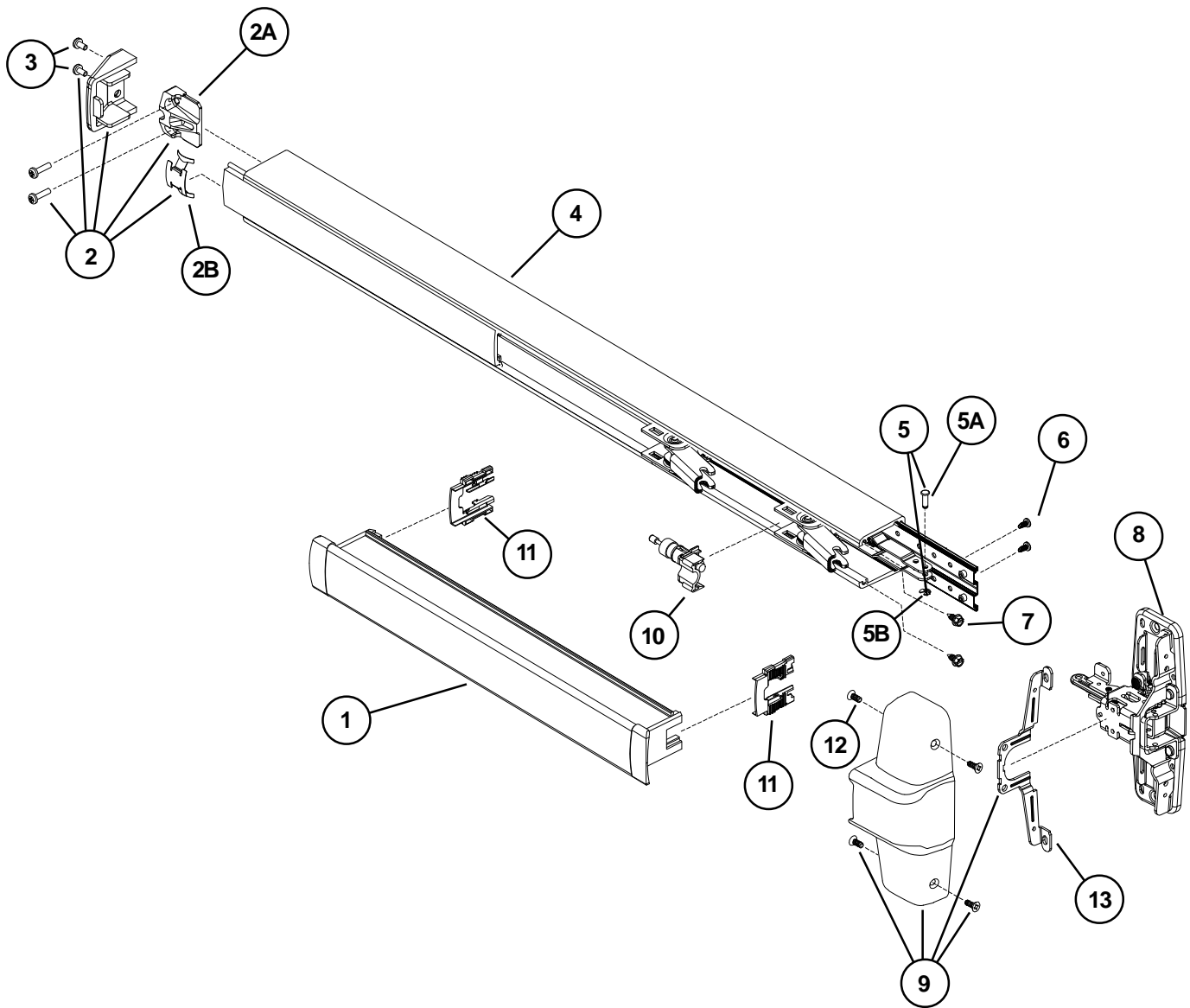
X in "Finish" column designates finished items; finish must be specified when ordering.

* To order, specify device type, size, and finish. Example: PBKIT 98 3' US28

**Includes parts for three piece cover conversion

***Center case assembly parts shown on page 9.

98/9975-F FIRE DEVICE



98/9975-F FIRE DEVICE

Item No.	Quantity	Part No.	Description	Finish
	1	900561	98/99 Series Mounting Pkg. (1-3/4 & 2-1/4)	
1	1	*PBKIT	98/99 Series Push Bar Retrofit Kit - 3' Door	X
1	1	*PBKIT	98/99 Series Push Bar Retrofit Kit - 4' Door	X
2	1	050014	98/99 Series End Cap Kit	X
2A	1	050524	Impact Resistant End Cap Bracket	
2B	1	090036	Cover Plate Anti-rattle Spring (Pkg of 10)	
3	1	900597	Device End Cap and C/Case Screw Pkg.	X
4	1	968144	99 Series Mechanism Case - 3' Door	X
4	1	968146	99 Series Mechanism Case - 4' Door	X
4	1	970191	98 Series Mechanism Case - 3' Door	X
4	1	970192	98 Series Mechanism Case - 4' Door	X
5	1	050529	98/99 Series Control Link Pin & Ret. Ring	
5A	1	090031	98/99 Series Control Link Pin (Pkg of 10)	
5B	1	090107	Retaining Ring (Pkg of 10)	
6	2	090037	#8-32 x 3/8" Baseplate Screw (Pkg of 10)	
7	2	090073	Mechanism Case Bracket Screw (Pkg of 10)	
8***	1	050023	98/9975 Center Case Less Cover	
9**	1	050073	98/9975 Center Case Cover Kit	X
10	1	050491	Shock Absorber & Holder Assembly	
11	2	090049	Push Bar Guide (Pkg of 10)	
12	4	900892	Center Case Cover Screws (Pkg of 4)	X
13	1	050564	Center Case Cover Bracket	

X in "Finish" column designates finished items; finish must be specified when ordering.

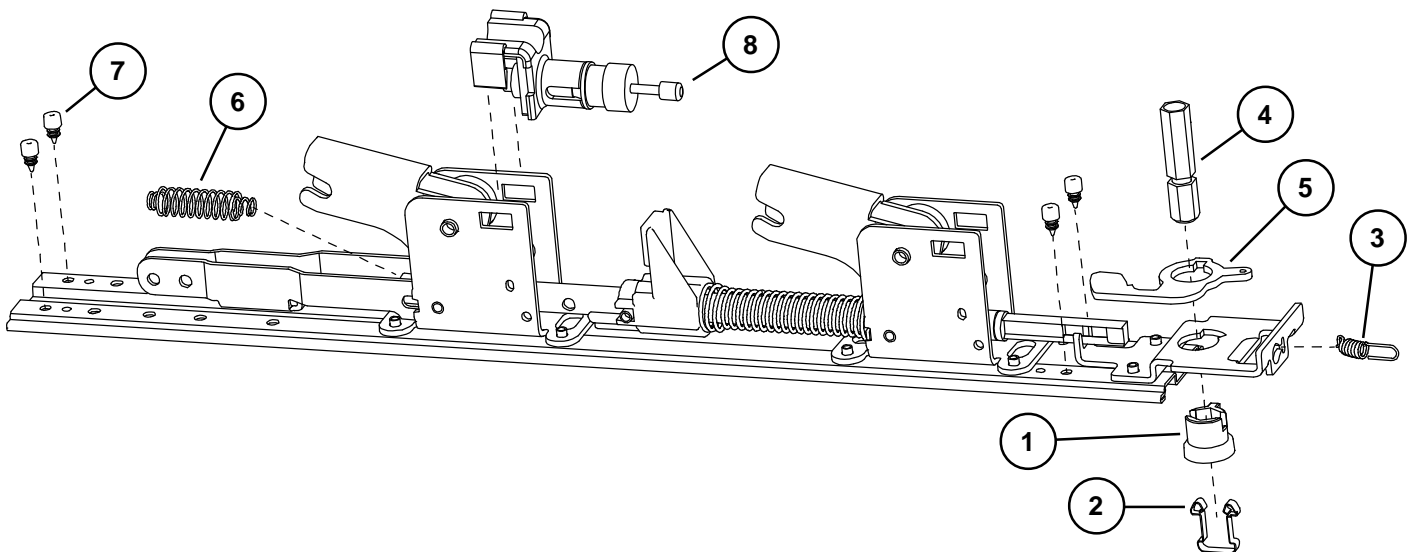
* To order, specify device type, size, and finish. Example: PBKIT 98 3' US28

**Includes parts for three piece cover conversion

***Center case assembly parts shown on page 9.

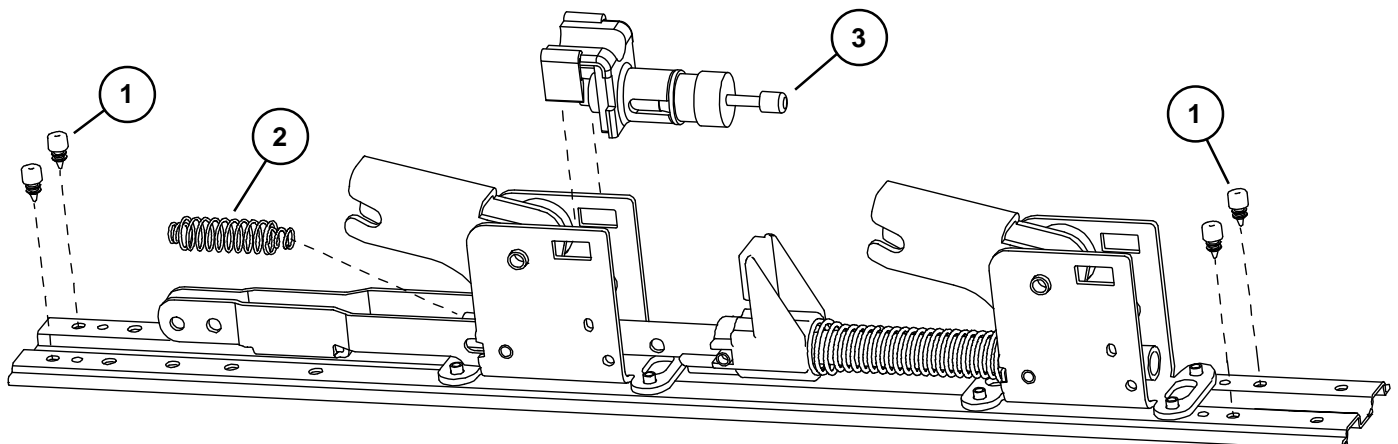
98/9975 PANIC DEVICE BASEPLATE ASSEMBLY

Item No.	Quantity	Part No.	Description	Finish
1	1	090043	Dogging adapter (Pkg of 2)	
2	1	090042	Dogging adapter spring (Pkg of 2)	
3	1	090041	Dogging spring (Pkg of 2)	
4	1	090040	Hex dogging shaft (Pkg of 2)	
5	1	090044	Dogging hook (Pkg of 2)	
6	1	090039	Latch return spring (Pkg of 10)	
7	4	090038	Rubber bumper (Pkg of 4)	
8	1	050491	Shock absorber	



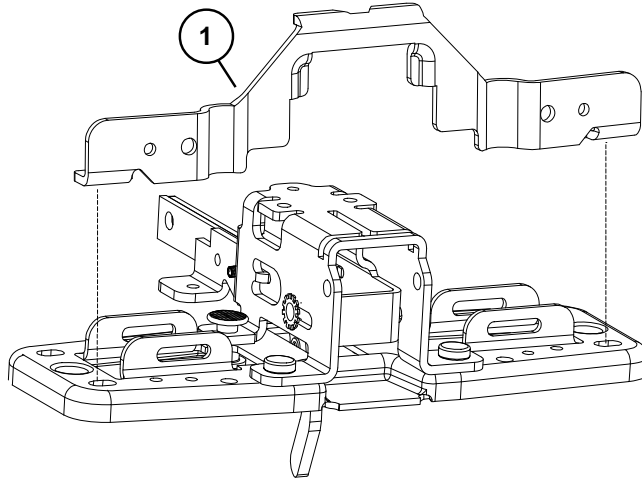
98/9975-F FIRE DEVICE BASEPLATE ASSEMBLY

Item No.	Quantity	Part No.	Description	Finish
1	4	090038	Rubber bumper (Pkg of 4)	
2	1	090039	Latch return spring (Pkg of 10)	
3	1	050491	Shock absorber	



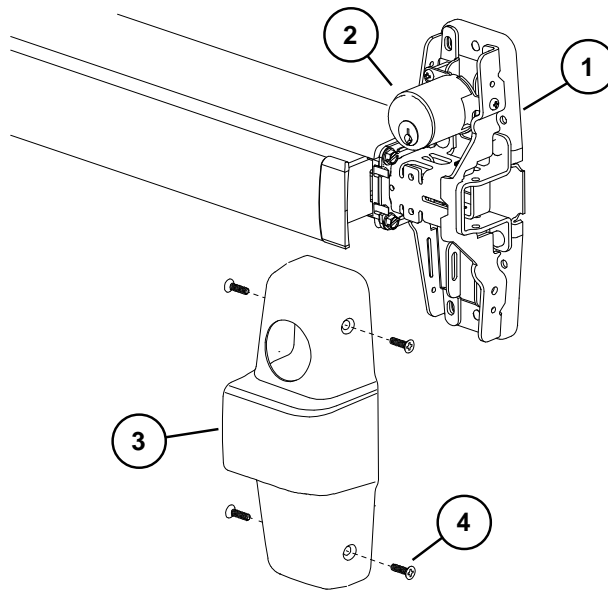
98/9975 DEVICE CENTER CASE ASSEMBLY

Item No.	Quantity	Part No.	Description	Finish
1	1	050565	Center Case Reinforcing Bracket	



98/9975-2 & 98/9975-F-2 DOUBLE CYLINDER OPTION

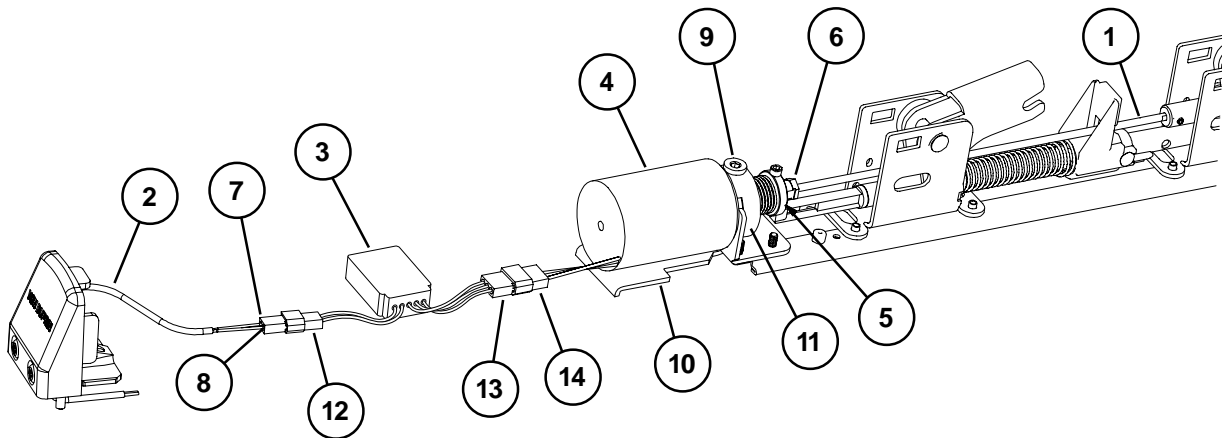
Item No.	Quantity	Part No.	Description	Finish
1	1	050029	98/9975-2 RHR Center Case Less Cover	
1	1	050030	98/9975-2 LHR Center Case Less Cover	
2	1	113100	98/9975-2 Cylinder Bracket Assembly LHR	X
2	1	113101	98/9975-2 Cylinder Bracket Assembly RHR	X
3	1	050557	98/9975-2/SD RHR Center Case Cover Kit	X
3	1	050558	98/9975-2/SD LHR Center Case Cover Kit	X
4	4	900892	Center Case Cover Screws (Pkg of 4)	X



HD-EL9875/HD-EL9975 HEX DOGGING/ELECTRIC LATCH RETRACTION OPTION

Item No.	Quantity	Part No.	Description	Finish
1	1	050531	EL Dogging Rod Kit - 3' device	
1	1	050532	EL Dogging Rod Kit - 4' device	
2	1	110388	EL 6' Cable and Connector	
3	1	050534	EL Potted Module	
4	1	050536	HD-EL Solenoid	
5	1	050537	HD-EL Solenoid Plunger	
6	1	050538	EL Dogging Rod Retainer	
7	1	050539	EL Receptacle Connector - 2 Position	
8	2	050540	EL Female Terminal	
9	1	050541	HD-EL Dog Screw	
10	1	050542	HD-EL Solenoid Bracket	
11	1	050543	HD-EL Dogging Spring	
12	1	990599	EL Plug Connector - 2 Position	
13	1	990857	EL Receptacle Connector - 3 Position	
14	1	990858	EL Plug Connector - 3 Position	
*	1	050384	HD-EL Conversion Kit - 3'	
*	1	050385	HD-EL Conversion Kit - 4'	

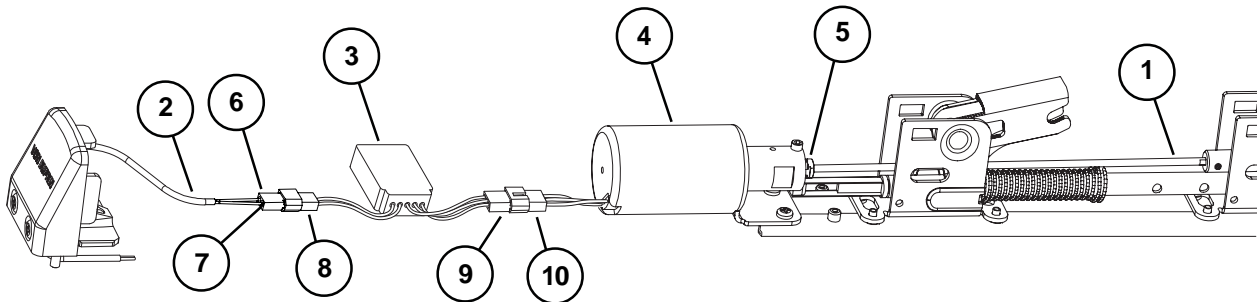
*Kit includes items 1-11 plus new control link, retaining ring, and baseplate screws.



EL9875/EL9975 SERIES ELECTRIC LATCH RETRACTION OPTION

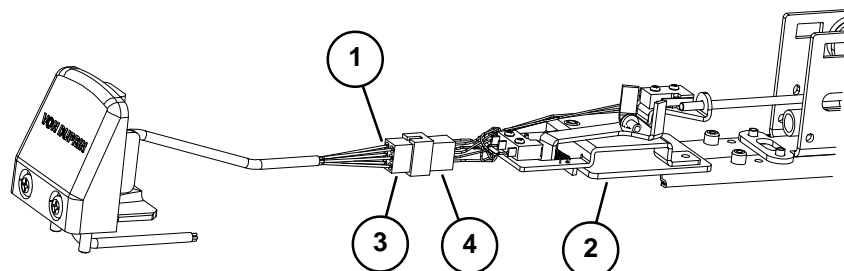
Item No.	Quantity	Part No.	Description	Finish
1	1	050531	EL Dogging Rod Kit - 3' device	
1	1	050532	EL Dogging Rod Kit - 4' device	
2	1	110388	EL 6' Cable and Connector	
3	1	050534	EL Potted Module	
4	1	050535	EL Solenoid Assembly	
5	1	050538	EL Dogging Rod Retainer	
6	1	050539	EL Receptacle Connector	
7	2	050540	EL Female Terminal	
8	1	990599	EL Plug Connector - 2 Position	
9	1	990857	EL Receptacle Connector - 3 Position	
10	1	990858	EL Plug Connector - 3 Position	
*	1	050070	EL Conversion Kit - 3'	
*	1	050078	EL Conversion Kit - 4'	

*Kit includes items 1-7 plus new control link pin, retaining ring, and baseplate screws.

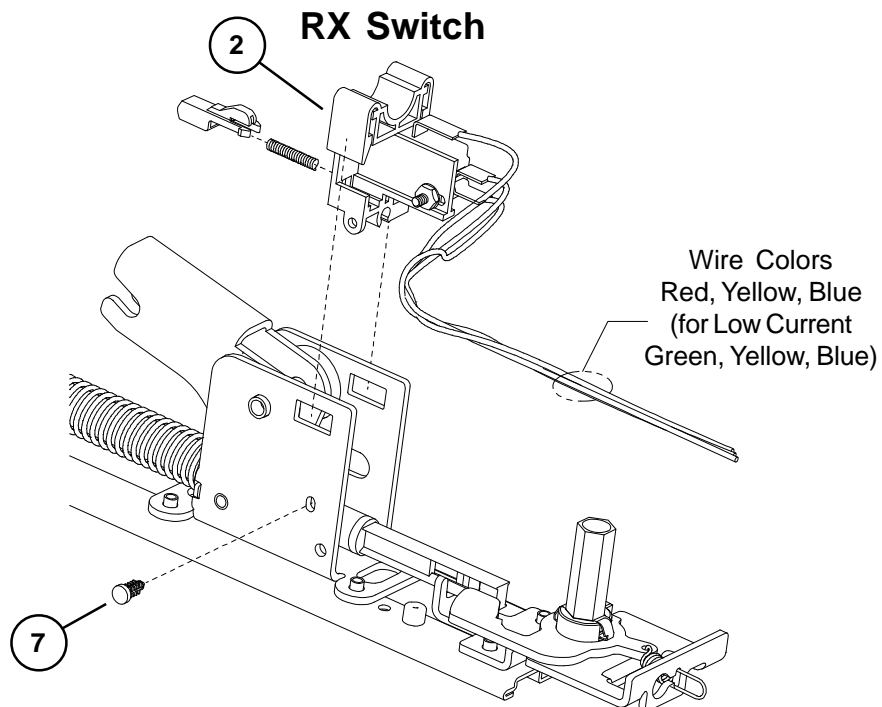
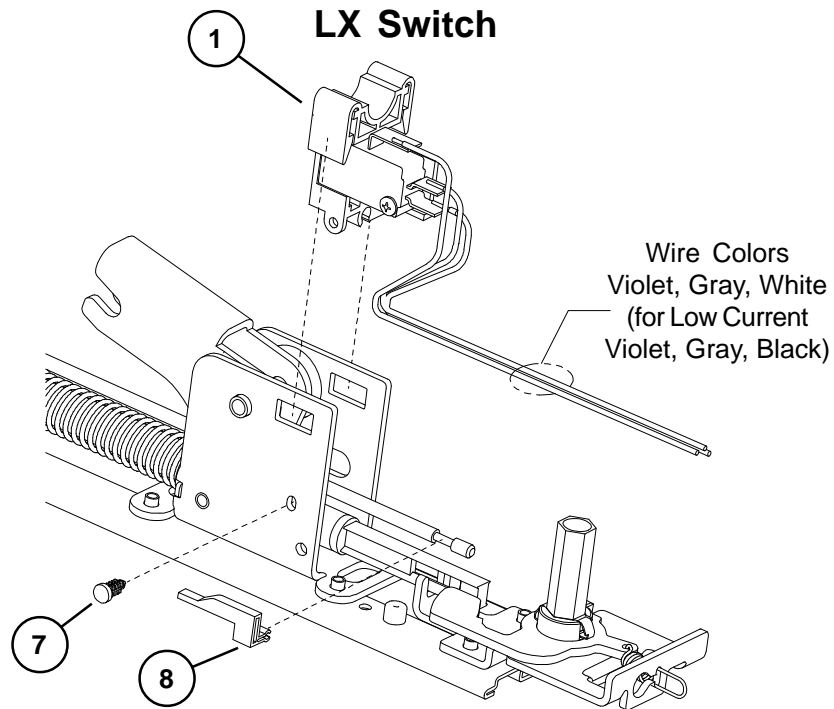


SS9875/SS9975 SERIES (SIGNAL SWITCH) OPTION

Item No.	Quantity	Part No.	Description	Finish
1	1	050544	SS Cable	
2	1	050545	SS Housing	
3	1	990601	SS Plug Connector - 6 Position	
4	1	990602	SS Receptacle Connector - 6 Position	

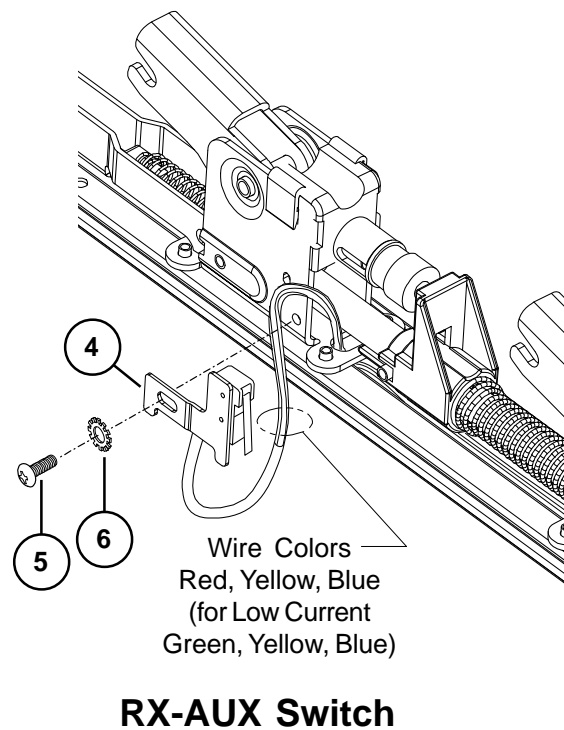
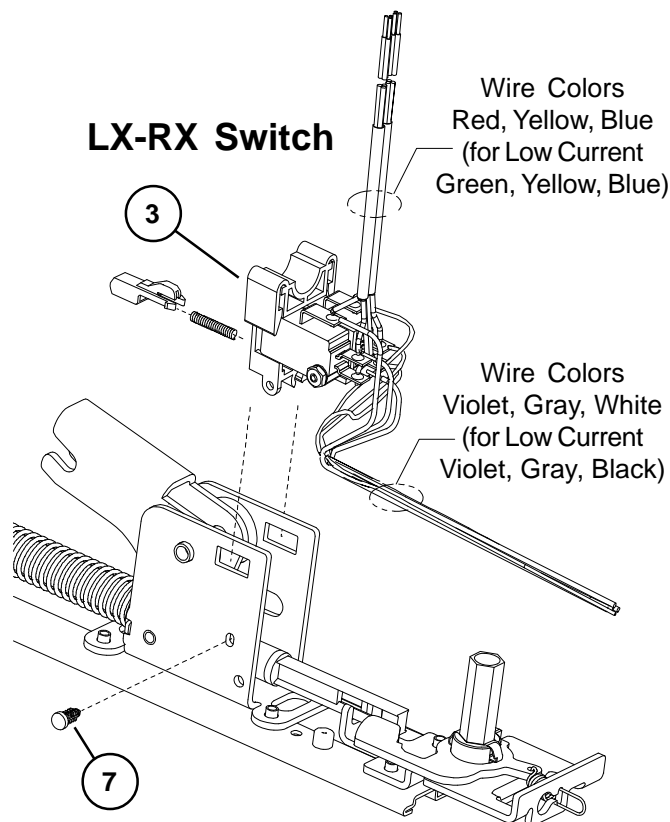


98/99 SERIES LX (LATCH BOLT MONITOR) & RX (REQUEST TO EXIT) OPTIONS



98/99 SERIES LX (LATCH BOLT MONITOR) & RX (REQUEST TO EXIT) OPTIONS

Item No.	Quantity	Part No.	Description	Finish
1	1	050254	LX Switch Kit 3' Device	
1	1	050255	LX Switch Kit 4' Device	
1	1	050247	LX-EL Switch Kit	
1	1	050283	LX-LC (Low Current) Switch Kit 3' Device	
1	1	050285	LX-LC (Low Current) Switch Kit 4' Device	
1	1	050287	LX-LC-EL (Low Current) Switch Kit	
2	1	050251	RX Switch Kit	
2	1	050281	RX-LC (Low Current) Switch Kit	
3	1	050256	LX-RX Switch Kit 3' Device	
3	1	050257	LX-RX Switch Kit 4' Device	
3	1	050259	LX-RX-EL Switch Kit	
3	1	050289	LX-RX-LC (Low Current) Sw. Kit 3' Device	
3	1	050291	LX-RX-LC (Low Current) Sw. Kit 4' Device	
3	1	050293	LX-RX-LC-EL (Low Current) Switch Kit	
2 & 4	1	050270	RX-2 Switch Kit	
4	1	050271	RX-AUX Switch Kit	
5	1	964558	8-32 x 5/16" PPHMS	
6	1	964019	#8 Washer	
7	1	090099	Pine Tree Clip (Pkg of 10)	
8	1	971091	LX Actuator	

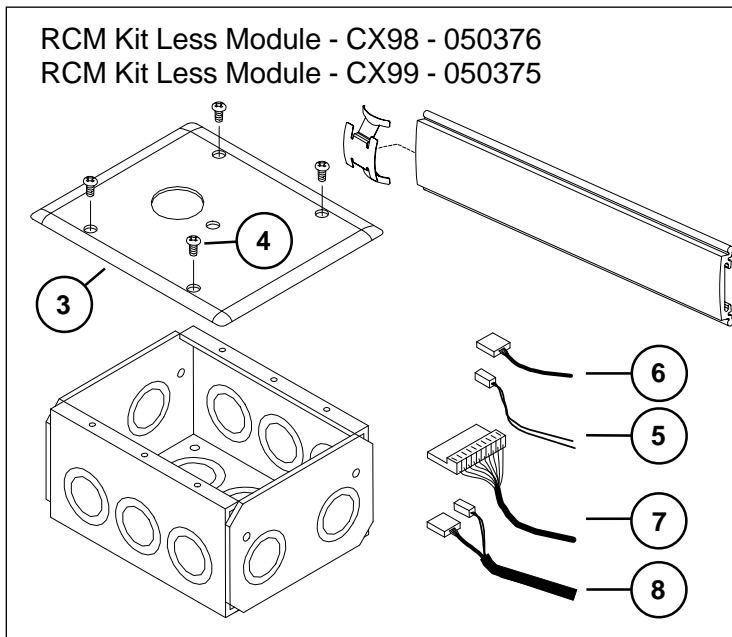
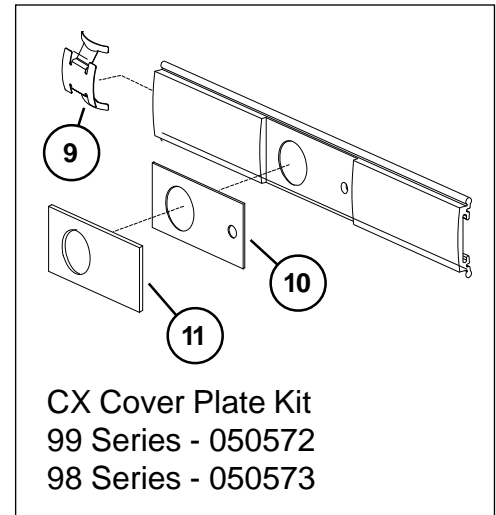
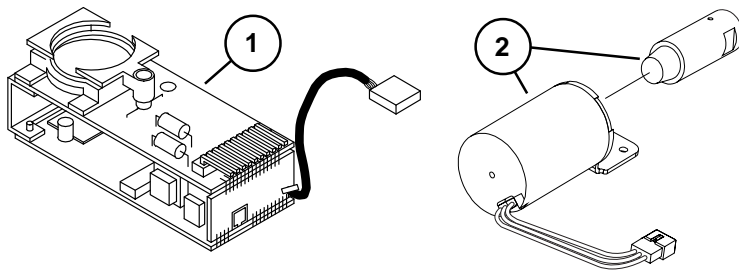


CX98/9975 SERIES CHEXIT

For discontinued Chexit devices made before August, 24 2015

Item No.	Quantity	Part No.	Description	Finish
1	1	050228	Chexit PCB Kit - 15 Second Release	
1*	1	050700	Chexit PCB Kit - 30 Second Release	
1	1	050701	Chexit PCB Kit - 0 Second Release	
1	1	050702	Chexit PCB Kit - Boca 15 Second Release	
1*	1	050703	Chexit PCB Kit - Boca 30 Second Release	
2	1	050533	CX Solenoid and Plunger	
3	1	113111	Faceplate and Adapter	X
4	4	963898	6-32 x 3/8" OPHMS Faceplate Screws	X
5	1	991338	RCM 2-Wire RX Cable	
6	1	991339	RCM 3-Wire Solenoid Cable	
7	1	112018	Chexit Wiring Assembly	
8	1	991336	CX-RCM Cable Assy - 5 Wire	
9	1	090036	Cover Plate Anti-rattle Spring (Pkg of 10)	
10	1	970513	LED Cover Mask - Chexit	
11	1	970519	LED Cover - Chexit	
12	1	113781	Sign 15 Second - Chexit	
13	1	113782	Sign 30 Second - Chexit	

*Over 15 second delay requires a letter of approval from the authority having local jurisdiction over the premises prior to the installation of the device. Allegion cannot grant such approval nor does it warrant local jurisdiction compliance.

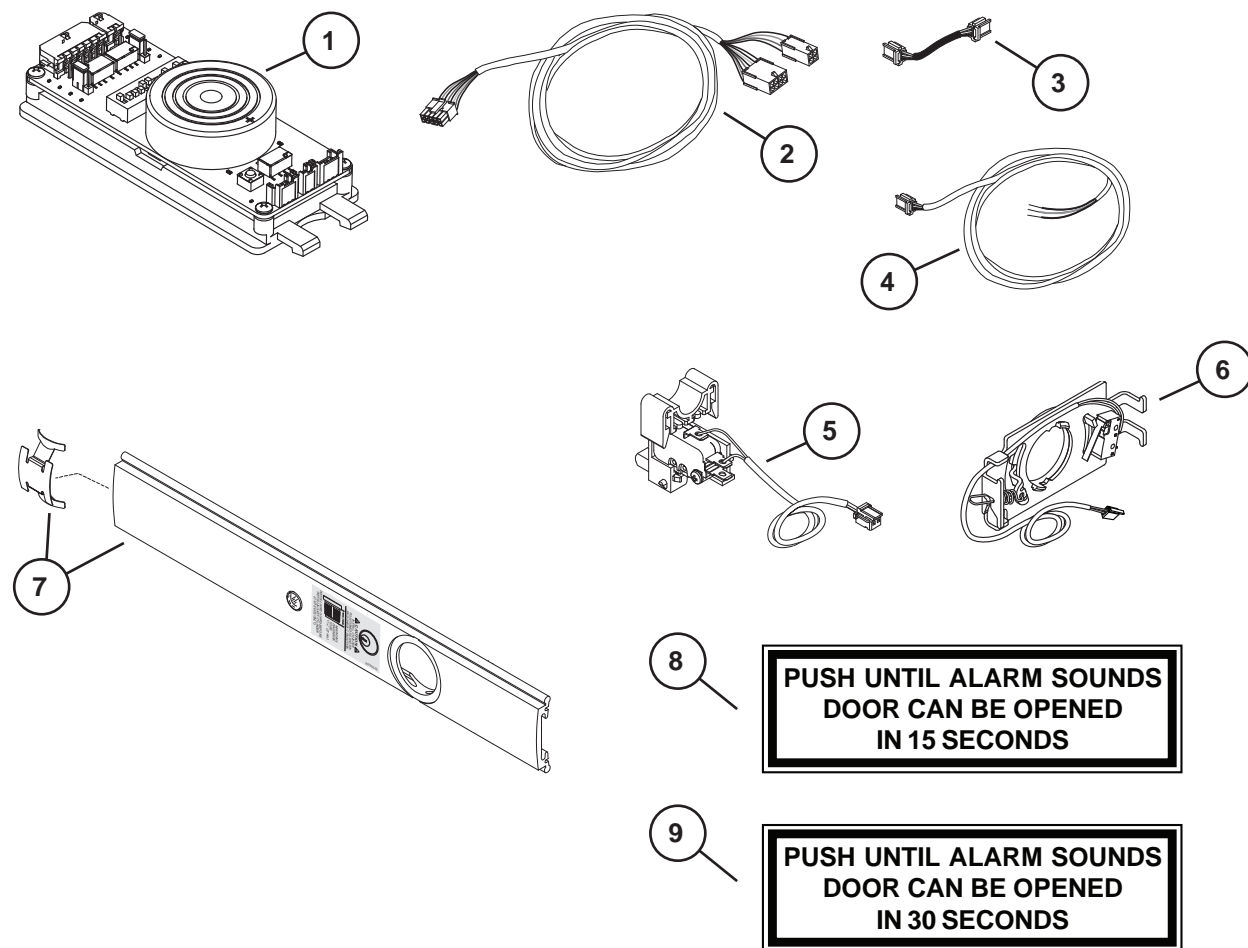


CX98/9975 SERIES CHEXIT

For new Chexit devices made after August, 24 2015

Item No.	Quantity	Part No.	Description	Finish
1	1	040086	Standard - 15 Second Release Delay	
1*	1	040087	Special Infinite Release Delay	
1*	1	040088	Special 30 Second Release Delay	
1	1	040089	Special 0 Second Release Delay	
1	1	040090	Special Mute 15 Second Release Delay	
1	1	040091	BOCA 15 Second Release Delay	
2	1	040191	CX Field Wiring Cable	
3	1	040192	CX Motor Cable	
4	1	040193	CX Trim Device Cable	
5	1	116717	CX RX Switch Assembly	
6	1	040170	CX Key Switch Assembly 3'	
6	1	040189	CX Key Switch Assembly 4'	
7	1	040093	CX33/99 Cover Plate Kit	X
7	1	040094	CX35/98 Cover Plate Kit	X
8	1	113781	Sign 15 Second	
9	1	113782	Sign 30 Second	

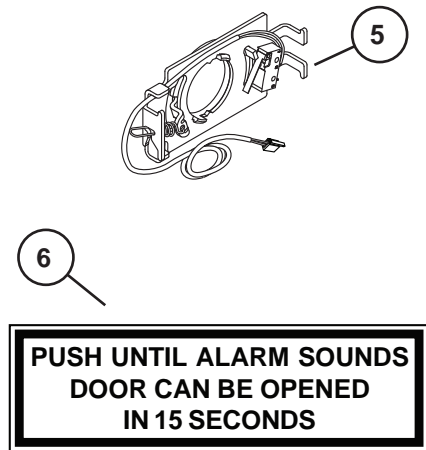
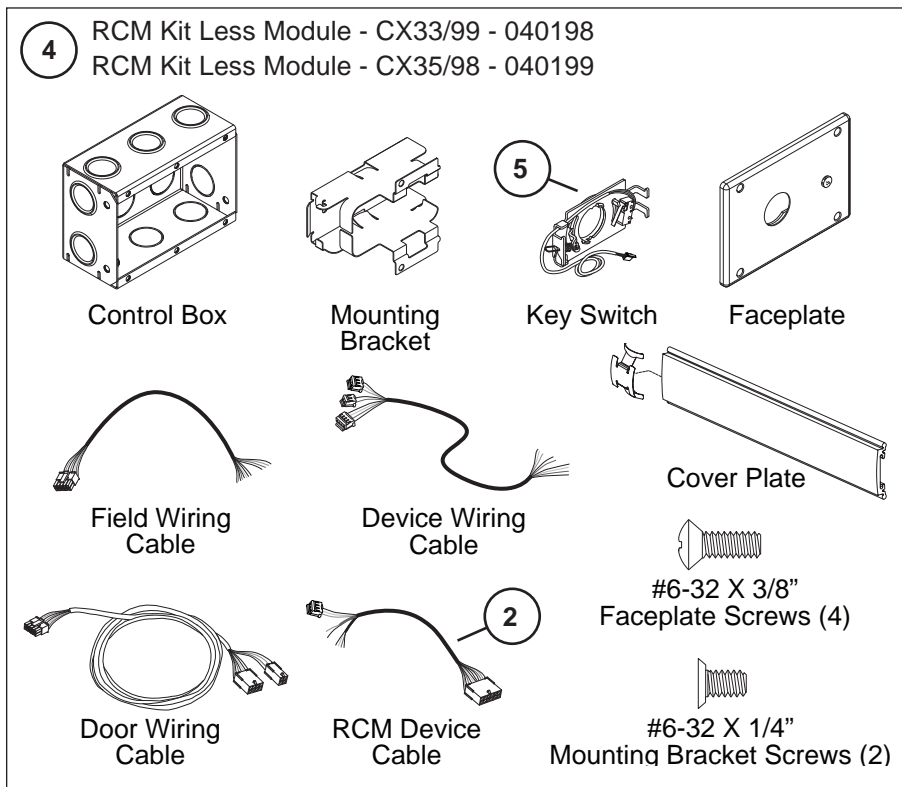
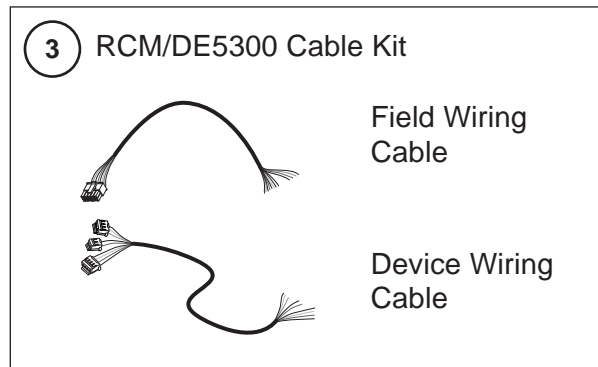
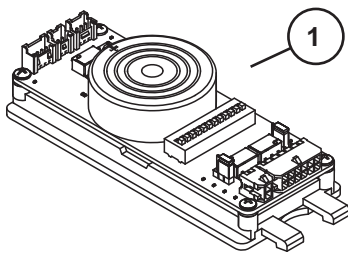
*Over 15 second delay requires a letter of approval from the authority having local jurisdiction over the premises prior to the installation of the device. Allegion cannot grant such approval nor does it warrant local jurisdiction compliance.



CX-RCM/DE5300 OPTIONS

For new RCM/DE5300 devices made after August, 24 2015

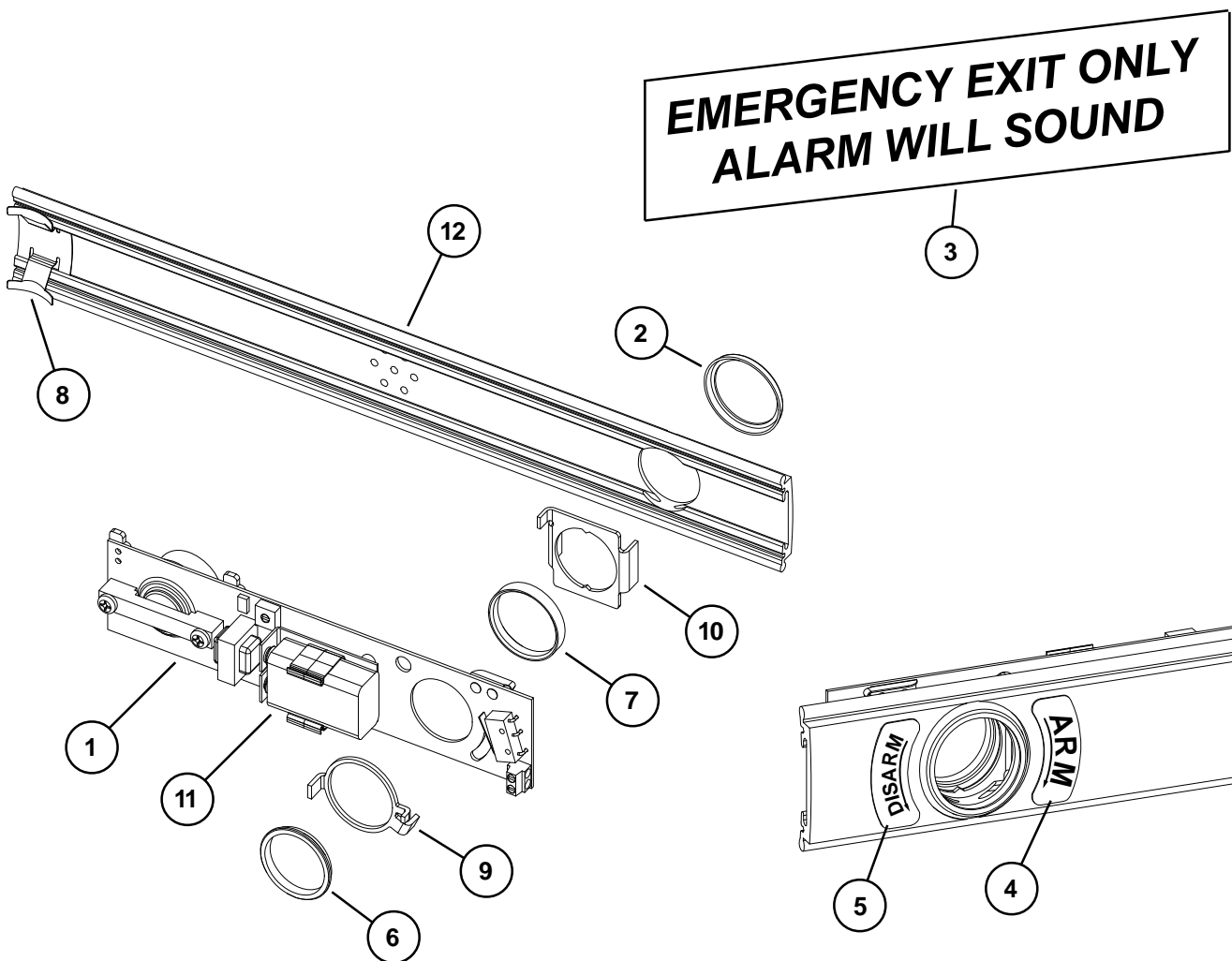
Item No.	Quantity	Part No.	Description	Finish
1	1	116711	Standard - 15 Second Release Delay	
2	1	040092	RCM Device Cable	
3	1	040188	DE5300/RCM Cable Kit	
4	1	040198	RCM Kit Less Module - CX33/99	X
4	1	040199	RCM Kit Less Module - CX35/98	X
5	1	040169	DE5300/RCM Key Switch Assy	
6	1	113781	Sign 15 Second	



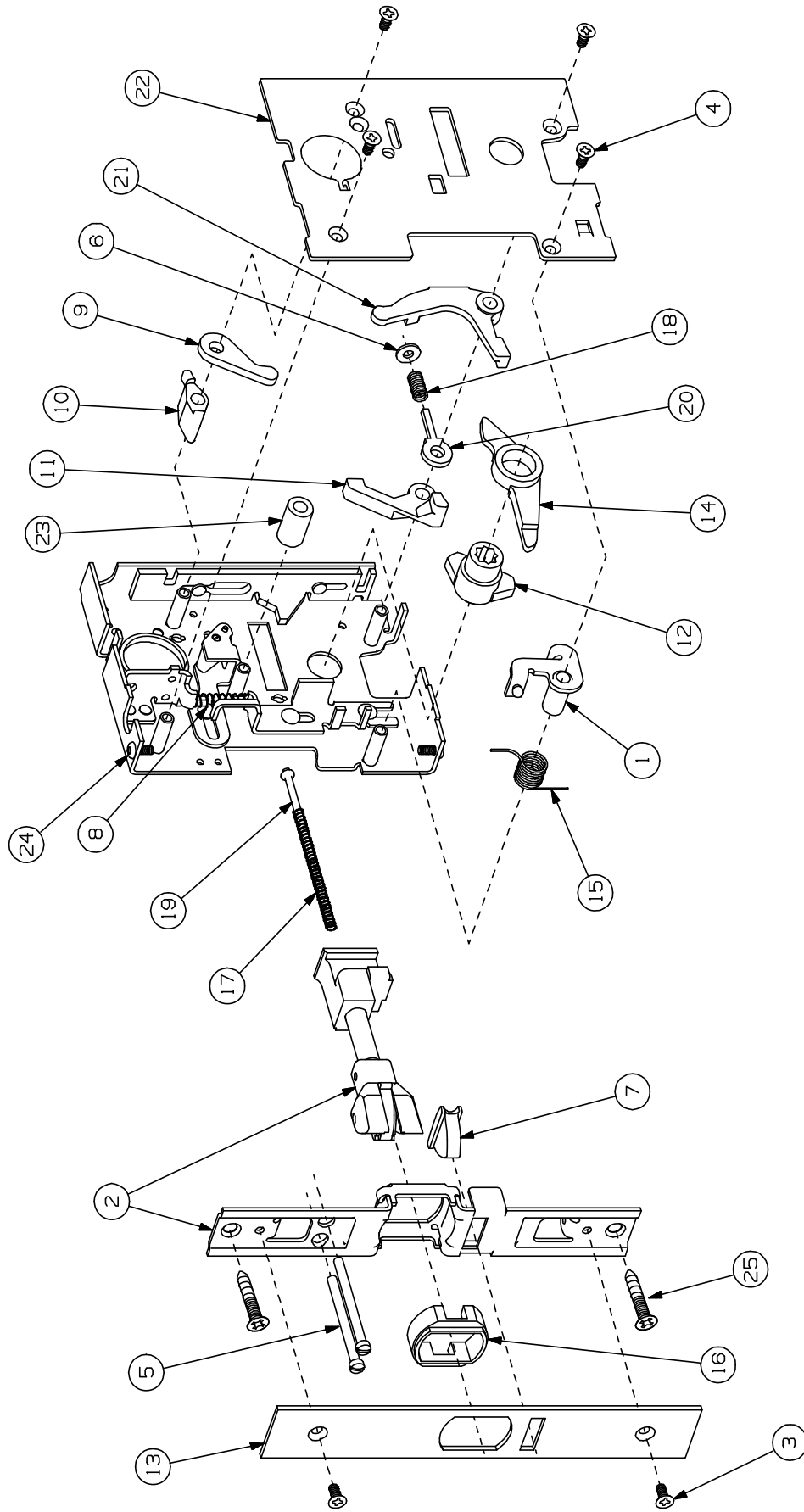
98/99 ALK EXIT ALARM KIT

Item No.	Quantity	Part No.	Description	Finish
1	1	111795	ALK PCB Assembly	
2	1	050525	Cylinder Collar	X
3	1	969122	ALK Alarm Device Sign	
4	1	969349	ALK Arming Label	
5	1	969350	ALK Disarming Label	
6	1	969354	Retainer Nut	
7	1	970594	ALK Cylinder Spacer	
8	1	090036	Cover Plate Anti-rattle spring (Pkg of 10)	
9	1	971556	ALK Switch Actuator	
10	1	971557	ALK Cylinder Bracket	
11	1	990637	ALK Battery	
12	1	050569	99 Series ALK Cover Plate Kit	X
12	1	050570	98 Series ALK Cover Plate Kit	X

X in "Finish" column designates finished items; finish must be specified when ordering.



7500 MORTISE LOCK



7500 MORTISE LOCK

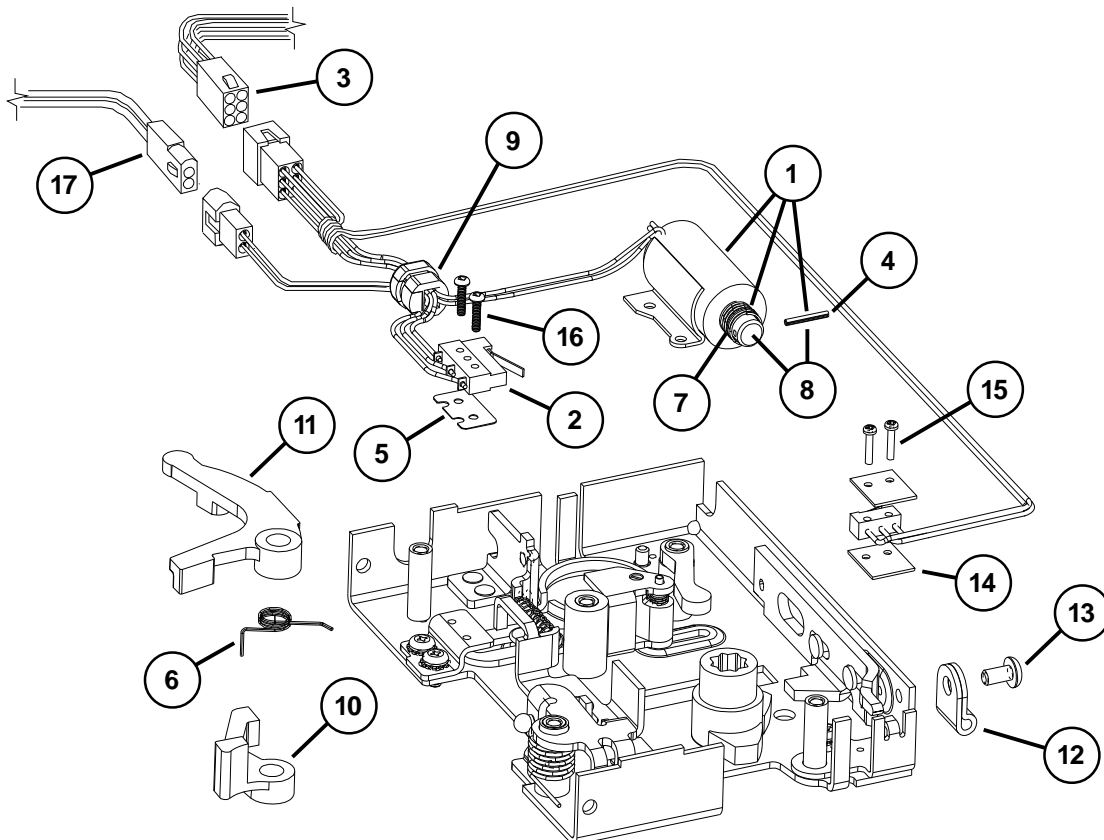
Item No.	Quantity	Part No.	Description	Finish
1	1	109347	7500 Auxiliary Bolt Link Sub-Assembly	
2	1	109773	7500 Latchbolt and Faceplate Sub-Assembly	
3	2	963080	7500 Scalp Plate - 8-32 x 3/8" FPHMS	X
4	4	963812	7500 Hsg. Cover - 8-32 x 3/8" UFPHMS	
5	2	963954	7500 Cyl. Set - 8-32 x 2" Fill SHMS	
6	1	963984	#8 SAE Flat Washer	
7	1	968668	7500 Auxiliary Bolt	
8	1	968748	7500 Deadlocking Spring	
9	1	968761	7500 Trim Bolt Retractor	
10	1	968762	7500 Trim Lock Actuator	
11	1	968763	7500 Thumb Latch Lift	
12	1	968765	7500 Knob Cam	
13	1	968766	7500 Scalp Plate - Aluminum	X
13	1	970872	7500 Scalp Plate - Brass	X
13	1	970873	7500 Scalp Plate - Bronze	X
14	1	968773	7500 Deadlock Release Arm	
15	1	968935	7500 Auxiliary Bolt Spring	
16	1	968939	7500 Latchbolt Collar	
17	1	969089	7500 Latch Return Spring	
18	1	969364	7500 Trim Lock Slide Spring	
19	1	969610	7500 Latch Return Spring Guide	
20	1	970188	7500 Trim Lock Spring Guide	
21	1	970318	7500 Crossbar Input Arm	
22	1	971822	7500 Housing Cover	
23	1	970735	7500 Stem Support	
24	2	964390	8-32 x 3/8" PPHTF Screw	
25	2	900532	7500 Lock Mounting Pkg	

X in "Finish" column designates finished items; finish must be specified when ordering.

E7500 MORTISE LOCK FAIL SECURE (F.S.E)

Item No.	Quantity	Part No.	Description	Finish
1	1	050212	E7500 Solenoid Replacement Kit 12VDC FSE	
1	1	050214	E7500 Solenoid Replacement Kit 24VDC FSE	
2*	1	114294	E7500 Switch Kit	
3	1	110744	E7500 Switch Connector Assembly	
4	1	963974	E7500 Roll Pin - 3/32 x 9/16"	
5	1	968770	E/SS 7500 Switch Insulator	
6	1	969107	E7500 Torsion Spring	
7	1	971320	E7500 Solenoid Spring	
8	1	113186	E7500 Plunger Assembly FSE	
9	1	966504	Wire Strain Relief	
10	1	970866	E7500 Thumb Latch Lift	
11	1	970318	7500 Crossbar Input Arm	
12	1	970596	E7500 Cable Clamp	
13	1	964558	E7500 Cable Clamp Screw	
14	2	970868	E7500 Switch Insulator	
15	2	964393	E7500 Switch Insulator Screw	
16	2	964269	E7500 Switch Wiring Assembly Screw	
17	1	114140	Hook Up Wire Assembly	

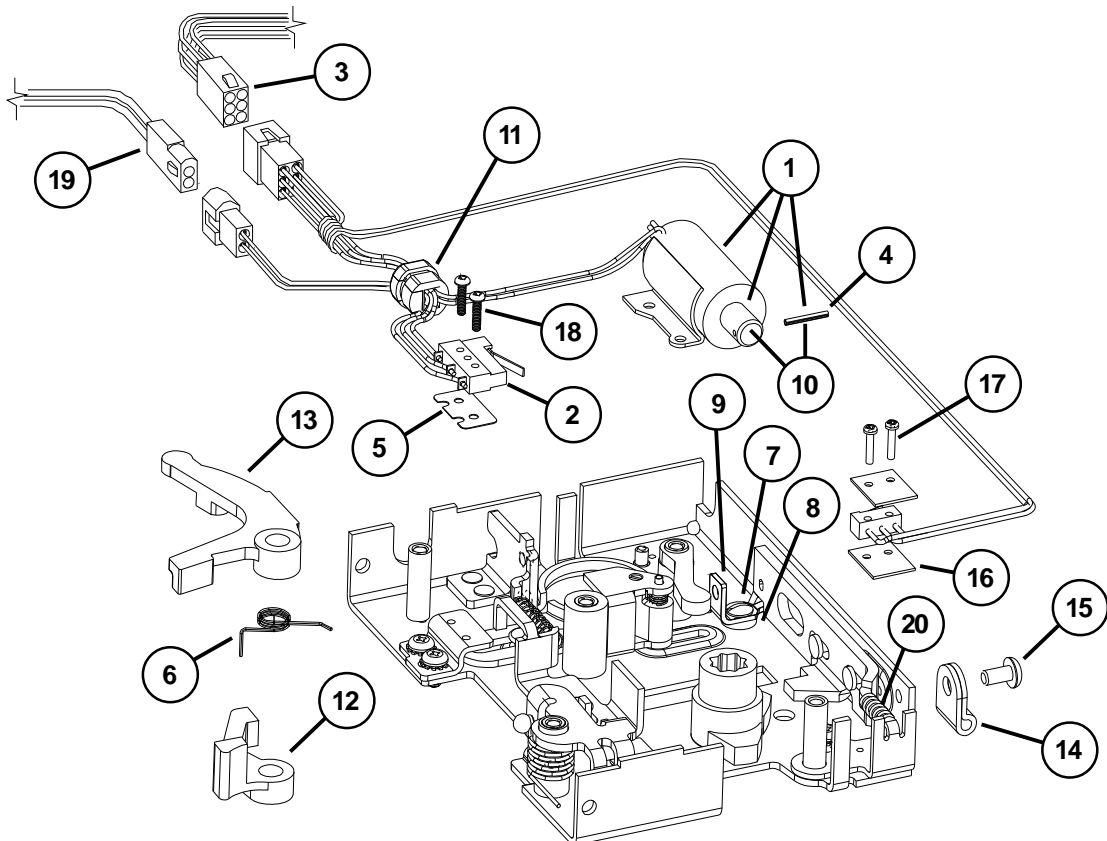
* Kit includes items 2 and 16 plus the switch wiring assembly (red/yellow/blue wires), switch assembly (white/gray/violet wires) and connectors.



E7500 MORTISE LOCK FAIL SAFE (F.S.)

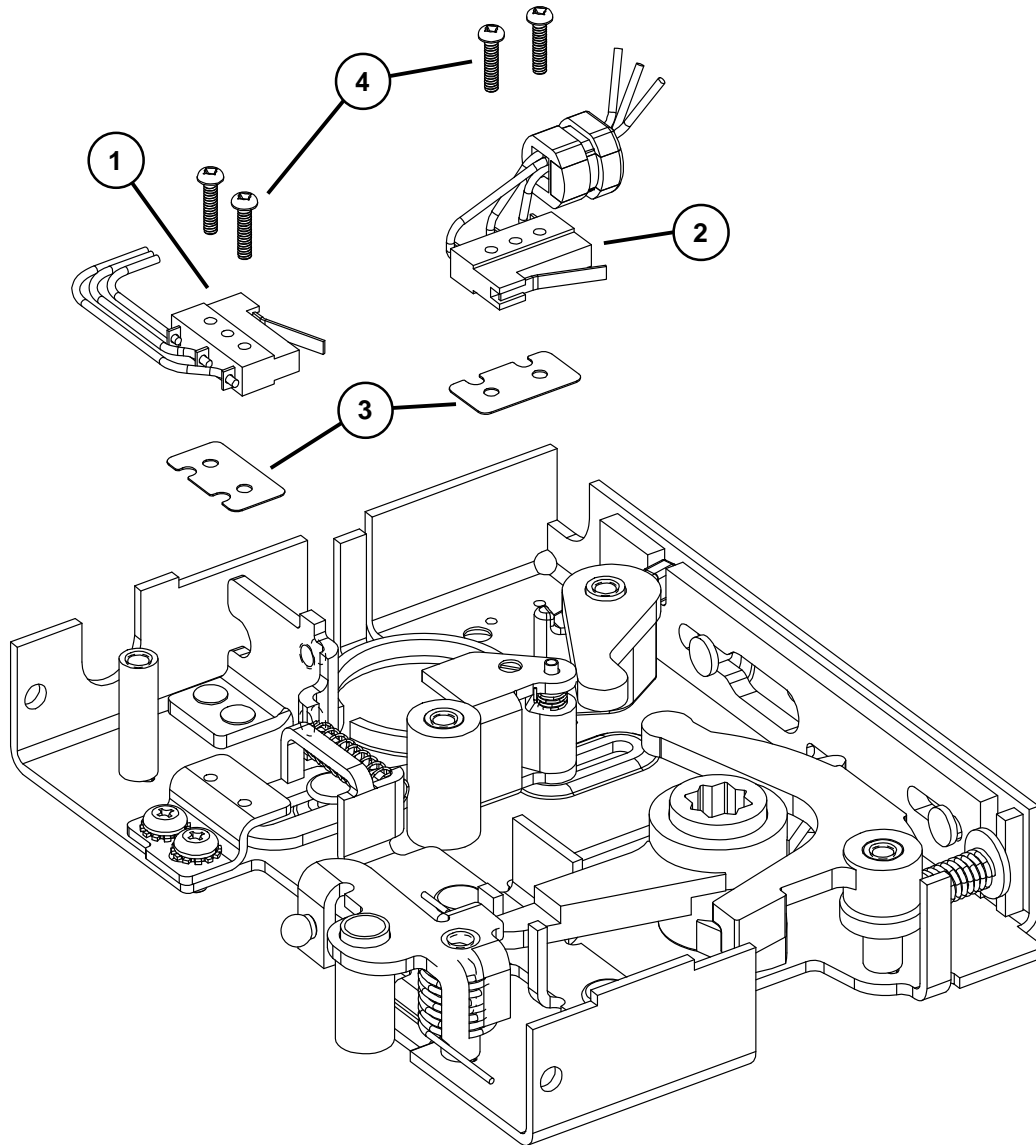
Item No.	Quantity	Part No.	Description	Finish
1	1	050213	E7500 Solenoid Replacement Kit 12VDC FS	
1	1	050215	E7500 Solenoid Replacement Kit 24VDC FS	
2*	1	114294	Switch Wiring Assembly (R/Y/B Wires)	
3	1	110744	E7500 Switch Connector Assembly	
4	1	963974	E7500 Roll Pin - 3/32 x 9/16"	
5	1	968770	E/SS 7500 Switch Insulator	
6	1	969107	E7500 Torsion Spring	
7	1	970861	E7500 Lever Screw	
8	1	970862	E7500 Lever Spacer	
9	1	972549	E7500 FS Trim Lock Lever	
10	1	113187	E7500 Plunger Assembly FS	
11	1	966504	Wire Strain Relief	
12	1	970866	E7500 Thumb Latch Lift	
13	1	970318	7500 Crossbar Input Arm	
14	1	970596	E7500 Cable Clamp	
15	1	964558	E7500 Cable Clamp Screw	
16	2	970868	E7500 Switch Insulator	
17	2	964393	E7500 Switch Insulator Screw	
18	2	964269	E7500 Switch Wiring Assembly Screw	
19	1	114140	Hook Up Wire Assembly	
20	1	970546	E7500 Trim Lock Slide Spring FS	

* Kit includes items 3 and 18 plus the switch wiring assembly (red/yellow/blue wires), switch assembly (white/gray/violet wires) and connectors.



SS7500 MORTISE LOCK

Item No.	Quantity	Part No.	Description	Finish
1	1	109658	Switch Wiring Assembly (R/Y/B Wires)	
2	1	109659	Switch Wiring Assembly (V/G/W Wires)	
3	2	968770	E/SS 7500 Switch Insulator	
4	4	964299	SS7500 Switch Wiring Assembly Screws	

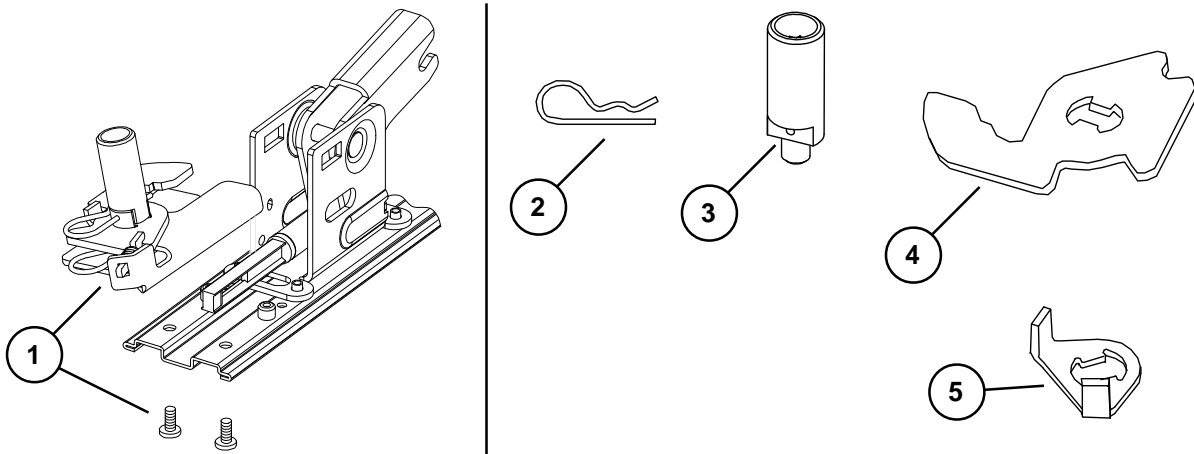


98/99 SERIES SERVICE REPLACEMENT ITEMS

Item No.	Quantity	Part No.	Description	Finish
1	1	050153	Old Style Hex Dogging Replacement Kit	
2	1	963909	#22 Hitch Pin - Hex/CD Dogging Old Style	
3	1	968112	Old Style Hex Dog Shaft	
4	1	969941	Old Style Dogging Hook	
5	1	968116	Old Style CD Actuator Arm	
6	1	900905	Old Style End Cap and Bracket Assembly	X
7	1	970548	Old Style Cover Plate Stop - End Cap	
8	1	900901	Old Style End Cap Screw Package	X
9	1	971082	Old Style 98/99 End Cap - Stainless Steel	X
9	1	971083	Old Style 98/99 End Cap - Brass	X
9	1	971084	Old Style 98/99 End Cap - Bronze	X
9	1	971085	Old Style 98/99 End Cap - Aluminum	X

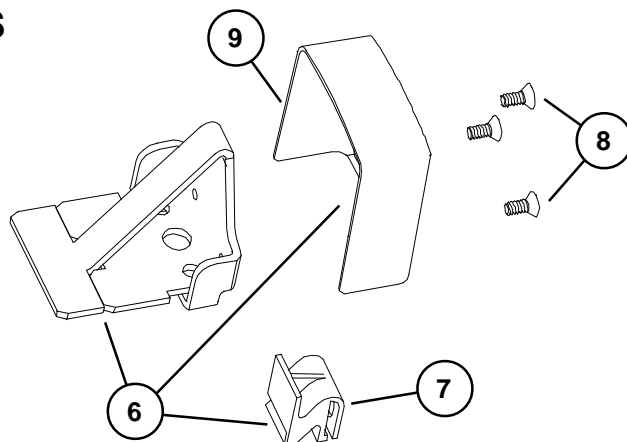
X in "Finish" column designates finished items; finish must be specified when ordering.

OLD STYLE DOGGING PARTS (FOR DEVICES SHIPPED BEFORE AUGUST 1997)



OLD STYLE END CAP PARTS (FOR DEVICES SHIPPED BEFORE JANUARY 2002)

Note: Newer style end cap kit shown on pages 4-5. Newer style end cap kit can be used on devices manufactured before January 2002, but mechanism case and cover plate on hinge stile must have a square cut and a clean edge.



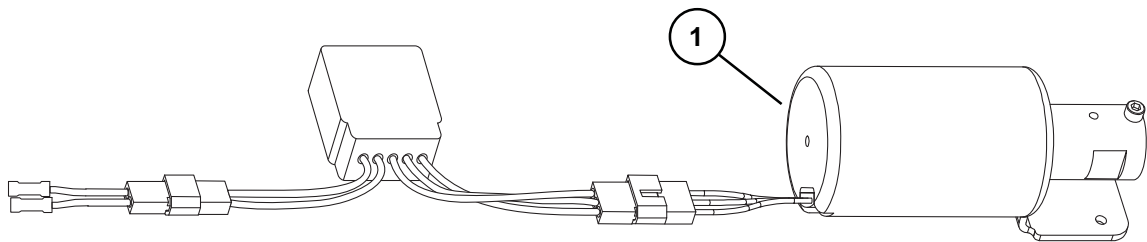
98/99 SERIES SERVICE REPLACEMENT ITEMS

Item No.	Quantity	Part No.	Description	Finish
1	1	050218	EL Solenoid Replacement Kit	

X in "Finish" column designates finished items; finish must be specified when ordering.

EL SOLENOID REPLACEMENT KIT (FOR DEVICES SHIPPED BEFORE JANUARY 1987)

Note: This kit replaces the old style EL solenoid parts with the new style.



About Allegion

Allegion (NYSE: ALLE) creates peace of mind by pioneering safety and security. As a \$2 billion provider of security solutions for homes and businesses, Allegion employs more than 8,000 people and sells products in more than 120 countries across the world. Allegion comprises 27 global brands, including strategic brands CISA®, Interflex®, LCN®, Schlage® and Von Duprin®.

For more, visit www.allegion.com.

aptiQ ■ LCN ■ **SCHLAGE** ■ STEELCRAFT ■ VON DUPRIN