

Architectural Door Accessories

ASSA ABLOY

Pemko Astragals & Meeting Stiles: Astragals & Meeting Stile Gasketing-Split Astragals

The global leader in
door opening solutions

18041_NB (MS)



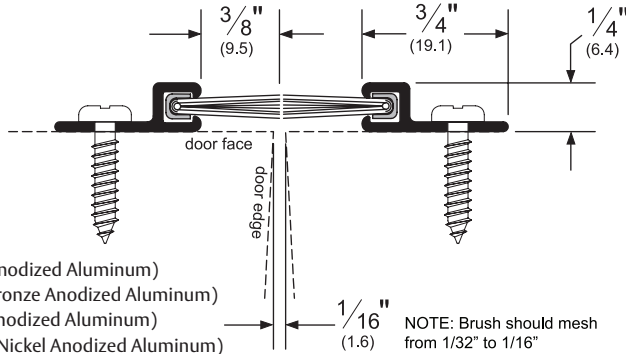
**ORDER TWO
(AS A PAIR)**

AVAILABLE FINISHES: C, D, G, SN

PROFILE WIDTH: 3/4" (19.1 mm) (x2)

TOTAL WIDTH WITH INSERT: 1-1/8" (28.6 mm) (x2)

HEIGHT: 1/4" (6.4 mm)



TITLE:
PREPARED FOR:
PREPARED BY:
DATE:
COMMENTS:

Architectural Door Accessories

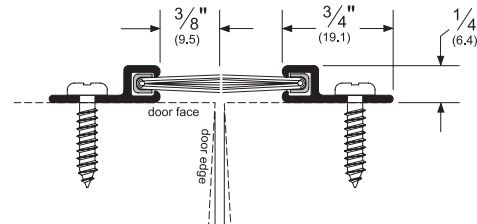
ASSA ABLOY

Pemko Product Reference Tech-Spec

The global leader in
door opening solutions

18041_NB Brush Gasketing

Example: 18041 | C | NB | 36
Profile# Finish Insert Length



TYPE: Astragals/Meeting Stile

MATERIAL: 6063-T6 Aluminum Alloy and Temper Retainer with Nylon Brush Sweep

FINISH: C (Clear Anodized), D (Dark Anodized), G (Gold Anodized), PW (Painted White)

WIDTH: 1/4" (6.4 mm)

HEIGHT: 1-1/8" (29.4 mm)

WEIGHT: .10 lbs.

Product Test Ratings:



BHMA
CERTIFIED

See Product Testing
section for more
information.

LEAD TIME: 10 working days (or less).

AVAILABLE: Ships from the Memphis, TN, and Ventura, CA location.

WARRANTY: 5 Years from purchase date

CROSS REFERENCE: NGP: 9600, 164VA, 600A, 9600A, 9605A, A605A; Reese: 804; Hager: 893S; Draftseal: DS163; Zero: 8193AA

INSTRUCTIONS, CAD DRAWINGS, PROFILE DRAWINGS and CUT SHEET

Available upon request and on website

PRODUCT TESTING:

- **Smoke Tested** – Tested to UL 1784 and meets the requirements of NFPA 105-2013 for smoke leakage in an opening; allows no more than 3.0 cfm per square foot at 0.10" water column (about 75 Pa).
- **Fire Rated** – Tested to UL10B Standard Fire Tests and UL10C Positive Pressure Fire Tests of Door Assemblies
- **BHMA Certified** – Tested for performance with regards to the requirements in:
 - ANSI/BHMA A156.22 – Door Gasketing and Edge Seal Systems

MATERIAL SAFETY / FIRE HAZARDS

Per OSHA Regulations (Standards – 29 CFR) this Pemko item is considered an “article” as described in section 1910.1200 paragraph (c), meaning that it is a manufactured item other than a fluid and is not a hazard. To help our customers we are providing additional information in this section to cover relevant topics found on Safety Data Sheets (SDS) but not found elsewhere in this document.

FIRE HAZARD:

Aluminum alloy is a non-combustible material. Solid aluminum does not present a fire hazard.

FIRST AID MEASURES

Under normal conditions this item presents no small parts and so this item cannot be inhaled or swallowed and has no adverse reaction when coming in contact with skin. Observe good industrial hygiene after installation.

Note to physician: treat symptomatically and supportively

FIREFIGHTING MEASURES

As in any fire, prevent human exposure to fire, smoke, fumes, or products of combustion. Evacuate non-essential personnel from the fire area. Firefighters should wear face mask with self-contained breathing apparatus (SCBA) and impervious protective clothing. In case of aluminum fire, use class D dry powder to extinguish. DO NOT USE water or halogenated extinguishing media.

- Hazardous combustion products: none.

SPILL PROCEDURES

Sweep up any off-cuts from product and store in a suitable container for disposal

HANDLING, STORAGE, AND DISPOSAL

There are no specific handling instructions. Always store at room temperature and keep away from heat sources. When disposing, if possible, recycle the item and its packaging. Otherwise disposal should be in accordance with local, state, or federal legislation. Bury in an authorized landfill site or incinerate under approved controlled conditions.

EFFECTS OF EXPOSURE

There are no effects under normal conditions of use. Observe good industrial hygiene.

TOXICITY

There is no toxicity hazard under normal conditions of use

HEALTH HAZARD

This product may contain hazardous ingredients; harmful effects are unlikely under normal conditions.

CARE AND MAINTENANCE

CLEANING

Pemko’s aluminum products and solid gasket products can be cleaned with a mild soap with warm water. A clean non-abrasive cloth should be used to clean the surface of these products. For removing grease, sealant, or other minimal adhesives a mild solvent such as mineral spirits may be used; then clean with mild soap mixed with warm water. To dry, either allow to air dry or wipe dry with a chamois, squeegee, or lint-free cloth.

For sponge gasket and weatherstrip products, wipe with a damp cloth. Do not use mineral spirits or other chemical as this may cause the plastic to “melt” or deteriorate. To dry, either allow to air dry or wipe dry with a chamois, squeegee, or lint-free cloth.

The use of strong solvents or cleaner concentrations may cause damage to the finish surface and isn’t recommended.

MAINTENANCE

Pemko products are generally low-maintenance and require nothing more than general cleaning. Should anything outside of “general cleaning” arise, please consult Pemko Customer Service.

If you have any questions, or if you have a situation outside this scope, please contact Pemko Customer Service.

www.pemko.com

MEMPHIS, TN USA VENTURA, CA USA TORONTO, ON CA
P: 800 824-3018 P: 800 283-9988 P: 877 535-7888
F: 800 243-3656 F: 800 283-4050 F: 877 535-7444