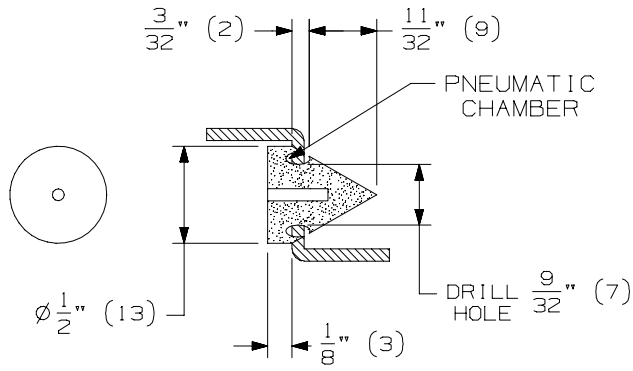


# SR64 DOOR SILENCER



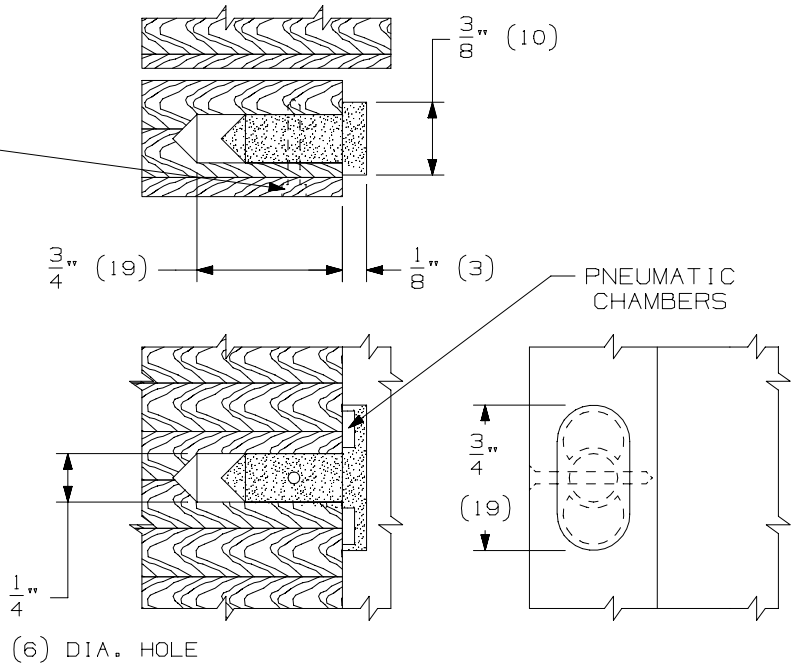
## INSTRUCTIONS:

INSERT BLUNT END OF  $\frac{3}{32}$ " (2)  $\phi$  WIRE OR TOOL FURNISHED, INTO THE HOLE IN CENTER OF SILENCER. MOISTEN CONE PORTION AND INSERT INTO  $\frac{9}{32}$ " (7)  $\phi$  HOLE IN STOP STRIP OF FRAME. PUSH SLOWLY WITH A CIRCULAR MOTION SO AS TO ELONGATE CONICAL PORTION SUFFICIENTLY TO SET SILENCER IN PLACE.

# SR65 DOOR SILENCER

## INSTRUCTIONS:

AFTER DRILLING HOLES IN STOP-STRIP, INSTALL DOOR SILENCERS IN POSITION SHOWN. TO ANCHOR SECURELY, DRIVE SMALL BRAD INTO STOP-STRIP AND THRU STEM OF SILENCERS, TO PREVENT REMOVAL.



## LOCATION OF SILENCERS:

ON SINGLE DOOR FRAMES, INSTALL THREE SILENCERS IN VERTICAL STOP-STRIP AT LOCATIONS AS SHOWN ON DRAWING OPPOSITE.

ON PAIRS OF DOORS, INSTALL FOUR SILENCERS IN TOP STOP STRIP, TWO FOR EACH DOOR. THE FIRST  $3$ " (76) FROM CENTER AND THE OTHER  $2$ " (51) FROM THE FIRST TOWARDS THE HINGE SIDE.

## NOTES:

1. ALLOW  $\frac{1}{16}$ " (2) CLEARANCE BETWEEN DOOR AND STOP STRIP.
2. ALLOW  $\frac{1}{8}$ " (3) CLEARANCE BETWEEN DOOR AND STOP STRIP WHEN EQUIPPED WITH DOOR CLOSERS.
3. AVOID GETTING PAINT OR VARNISH ON SILENCERS WHEN DOORS ARE BEING FINISHED.



# SR64 & SR65 DOOR SILENCERS INSTALLATION TEMPLATE



NOTE: DIMENSIONS IN ( ) ARE MILLIMETERS.

TEMPLATE  
NUMBER:

INST. SR\_0

DATE:  
09-01-01